

Catalogue

Surge Protective Devices

2019–2020



Content

SPDs connected to LV power supply systems up to 1000 V

SPDs Type 1 and Type 1 and 2 - lightning current arresters	21
SPDs Type 1 and 2 - combined lightning current and surge arresters	30
SPDs Type 2 - surge arresters	45
SPDs Type 3 - surge protections	59
Surge separating inductors	77

Surge Protective Devices for LED lights

Surge Protective Devices for LED lights	79
---	----

Surge Protective Devices for photovoltaic systems

PV SPDs Type 1 and 2	83
PV SPDs Type 2	87

SPDs for data/signalling/telecommunication networks

Devices with pluggable module	99
Compact devices	123
Terminal blocks with screw terminals	135
Terminal blocks with screwless terminals	143
SPDs for LSA-PLUS strips	151
SPDs for phone lines	157
SPDs for Ethernet and other data lines	161
SPDs for Ethernet and other data lines for 19" RACK enclosures	171
SPDs for video and coaxial lines	179

Isolating Spark Gaps

Isolating Spark Gaps ISG and ISG Ex	191
-------------------------------------	-----

Digital SPD tester

GIGATESTpro - SALTEK	201
----------------------	-----

Index of SALTEK® products – by type

Index of SALTEK® products – by type	204
Index of SALTEK® products – by order number	206

Who we are What we do

SALTEK® is a leading Czech based company specialising in the development and production of Surge Protective Devices. SALTEK® offers a complete range of SPDs (Types 1, 2, 3 and its combinations) in areas of low-voltage power systems and installations, renewable energy, information technologies, measuring & regulation and telecommunications.

SALTEK® products provide protection against atmospheric and technological overvoltage and ensure safe and trouble-free operation of technology, machinery and electrical appliances in industry, transport, telecommunications, data centres, office buildings as well as households.



Over 20 years of success in both the Czech Republic and abroad

- We have been on the market since 1995.
- Our products protect various technologies in a lot of countries in Europe, Asia and Africa.

Our own development = foundation of permanent and dynamic company development

- Our R&D department providing continuous innovation is the foundation of our further development.
- Our experienced R&D team utilises a testing laboratory with the latest equipment featuring unique devices and technologies that support fast and high-quality development process.
- State-of-the-art materials, construction procedures and measurement methods are a essential for us.

Flexibility and speed = our basic credo

- Flexible approach to the implementation of special customised solutions and products ODM/OEM all over the world.
- Fast delivery according to customers' requests.

Customers = power engine

- Customers are our everlasting inspiration. Hands-on experience linked to technical innovation gives us the opportunity to provide solutions for complex surge protection.
- High-class and fast technical support, regular training of specialists as well as extensive marketing and sales services are our standards.

Quality + international standards = our essentials

The safety, reliability and top quality of our products come first for us! Quality is our image. We are certified in compliance with international standards:

- EN ISO 9001 ■ EN ISO 14001 ■ OHSAS 18001

We are an active member of Czech and international standardization institutions - ÚNMZ, IEC and CENELEC, which define standards for the development of surge protection in the future.



What we do

Solutions for complex surge protection

We combine technical innovation with expertise. Thanks to our customers' feedback and our own development, SALTEK® products provide solutions for complex surge protection for various applications in different areas.



Industry

Commercial buildings use very sophisticated systems prone to abnormalities caused by overvoltage in the power system and signal lines. SALTEK® products minimize shut-down times of production technologies and subsequent financial losses.

- Protection of 230/400 V power system
- Protection of power system up to 1 000 V
- Protection of access security and fire alarm systems
- Protection of signalling and communication lines



Buildings

Both residential and commercial buildings feature a great number of sensitive technologies and appliances. SALTEK® products considerably increase their reliability and, consequently, greatly improve the user comfort of such buildings.

- Protection of 230/400 V power system
- Protection of aerial systems
- Protection of access, security and fire alarm systems, CCTV, telecommunications lines, data networks, etc.
- Protection of technological facilities in buildings (heating, air conditioning, etc.)



Photovoltaic (PV) systems

PV systems must withstand weather conditions as they are located in highly exposed places. SALTEK® products ensure the best possible protection against temporary overvoltage to provide trouble-free operation throughout their working life. Protection of PV power plants/PV technologies for residential houses and for factories/Off grid PV technology.

- Protection of DC and AC side
- Protection of signalling lines



Antennas and transmitters

Located in rather exposed places, receiving and transmitting systems must withstand harsh atmospheric conditions during their working life. SALTEK® products ensure the best possible protection of technologies against lightning strikes and induced overvoltage and thus they significantly increase operational reliability of technologies on transmission routes.

- Protection of 230/400 V power system
- Protection of aerial down conductors
- Protection of communication lines



Electric Railways

In the railway applications are the safety of the persons, prevent existence of an impermissible high touch voltage and limiting overvoltage in the system and its connected parts of the most important requirements.

- Protection against high touch voltage
- Protection of railway technological equipment



Oil and gas pipelines

Very large systems which are exposed to undesirable effects of lightning strikes, induction from parallel lines of MV, HV or stray current near railways. These events negatively affect the technologies which are necessary for their trouble-free operation. SALTEK® products ensure the best possible protection of such technologies and significantly increase their reliability.

- Protection of 230/400 V power system and system, up to 1 000 V
- Protection of access security and fire alarm systems, signalling and communication lines
- Protection of pipelines against induced voltage

What we do

Solutions for complex surge protection

We combine technical innovation with expertise. Thanks to our customers' feedback and our own development, SALTEK® products provide solutions for complex surge protection for various applications in different areas.



Data centers

In the era of information technologies, data centres and server rooms have become an inevitable part of life and collected data are of vital importance. Inaccessibility or complete losses of data can have catastrophic consequences in both industrial areas and everyday life. SALTEK® products can protect them and prevent technical problems and financial losses.

- Protection of 230/400 V power system
- Protection of signalling and communication lines



Electromobility

Developing electromobility needs a wide network of charging stations with a safe and reliable operation. Considering the location of charging stations, the surge protection by SALTEK® products is required to ensure the operation.

- Protection of 230/400 V power system
- Protection of measuring and control systems
- Protection of communication lines



Electrical energy storage

Together with the development of renewable energy sources and smart grids, the demand on efficient accumulation of electrical energy is growing. The accumulation can be partially accomplished by a storage of power. Storage systems need to be protected against surges.

- Protection of 230/400 V power system
- Protection of signalling and communication lines



LED public lighting systems

Installations of public lighting are extensive, and length of cables reaches up to hundreds of meters. The risk of induced overvoltage from lightning, disturbances and switching in distribution networks is high. Due to the posts of public lighting, the probability of a direct lightning strike is not negligible. Hence, the surge protection is important in case of sensitive LED technology, especially.

- Protection of 230/400 V power system
- LED lighting protection
- Protection of control circuits



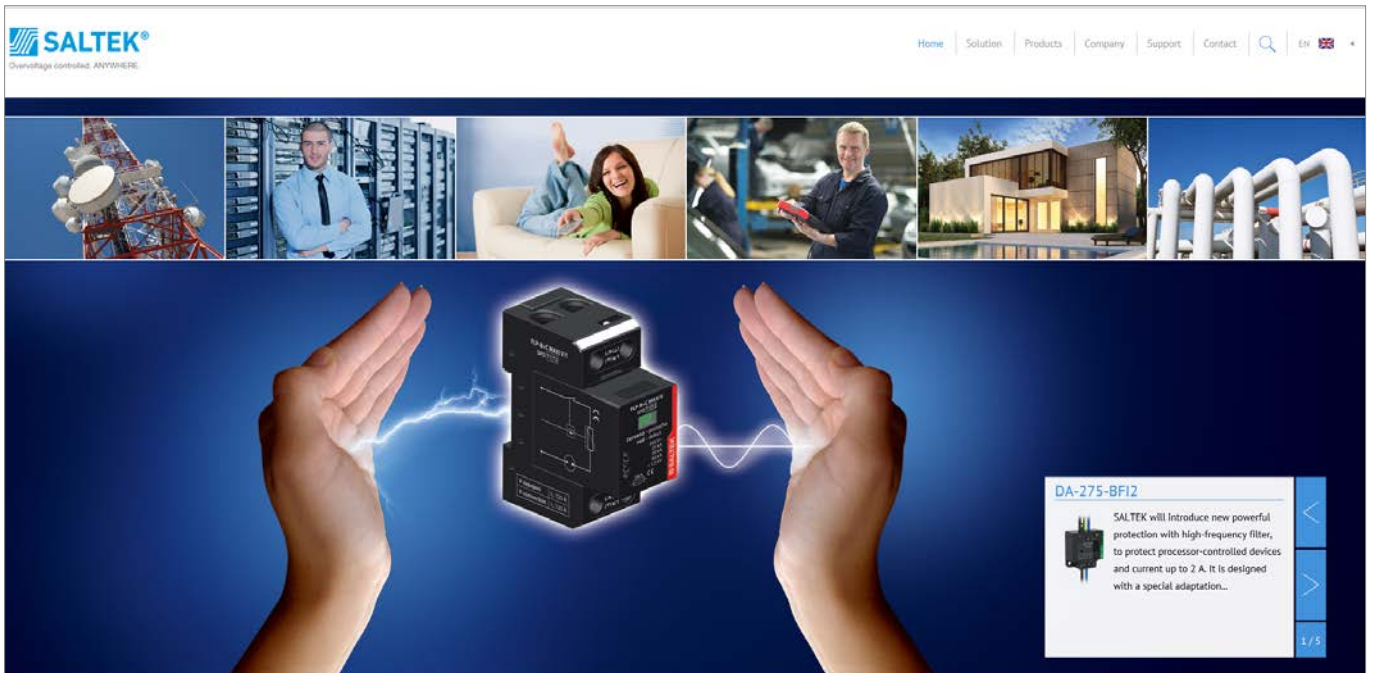
Wind-power plants

Wind-power plants are modern sources of green energy. Due to its construction and location, plants are exposed to overvoltage or indirect lightning strikes. The surge protection is necessary.

- Generator protection
- Protection of the control system and the inverter
- Protection of signalling and communication lines

SALTEK® on-line Product information always at hand

If you do not have our Catalogue available or further printed information you would be interested in, visit www.saltek.eu/en to see a comprehensive overview of our products and on-line support.



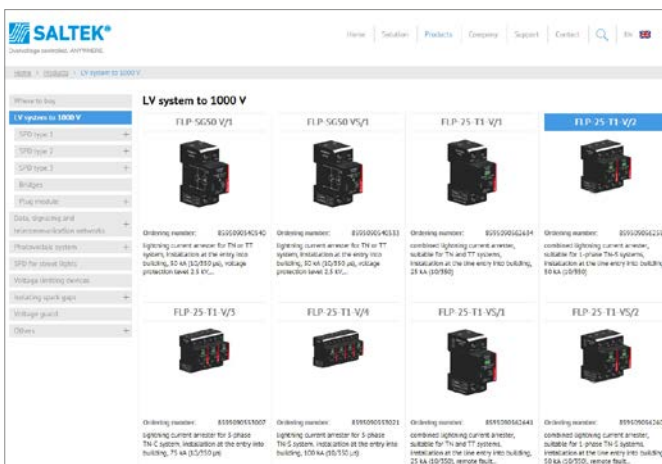
What can you find at www.saltek.eu/en?

On-line catalogue (www.saltek.eu/en/catalogue-products)

- The latest information about the SALTEK® SPDs
- Generating of the product data sheet for a specific product in PDF format for you to print out or save
- Complete technical data
- Dimension drawings and wiring
- Instruction manuals
- Declaration of conformity

Catalogues and brochures (www.saltek.eu/en/brochures)

Instruction manuals, catalogues, videos and other documents to download.

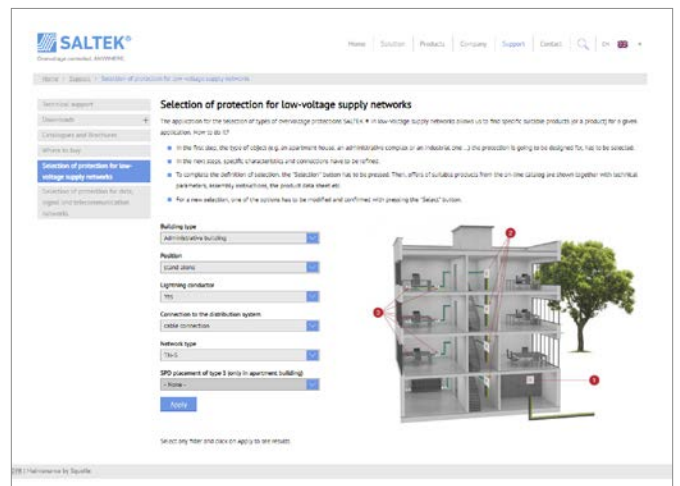


Applications for the selection of suitable SPDs (www.saltek.eu/en/technical-support)

- Selector of SPDs for low-voltage systems
- Selector of SPDs for data/signalling/telecommunication lines

Technical support (www.saltek.eu/en/technical-support)

For your solutions, optimization of your projects and designs of additional solutions in existing buildings/installations. We offer extensive technical support of surge protection according to EN 62305.



Innovations 2019

DA-075-DJ25, DA-150-DJ25

- Two ports SPD Type 3 for load up to 25 A
- For power supply up to 60 V (DA-075-DJ25) and up to 120 V (DA-150-DJ25)
- Designed to protect devices installed in single-phase networks up to 120 V AC and also to protect sensitive technology equipment in 4G and 5G networks

See page: 63



DA-275-BFi2

- SPD Type 3 with RFI filter for protection of equipment with CPU with load up to 2 A
- Design for use in spaces with higher air humidity, such as sewage plants etc

See page: 70



DMS-024-T, DMS-048-T

- Special SPD with integrated protection against power crosstalk (current limiter) for protecting measuring circuits

See page: 132



CS-2,5/..

- 2.5 mm² Cross - connectors for SPD in a screwless terminal blocks
- Use for bridging two, three, four, five or ten identical poles of separate SPD in a screwless terminal block

See page: 188



DL-Cat.6A

- Fine protection ST 2+3 for Ethernet lines of Cat. 6A
- Installation close to the protected device

See page: 166



Innovations 2019

DL-CS-RACK-1U-INJECTOR

- Box with height U1 for SPD modules for 19" RACK enclosures
- Designed for DL-1G-POE-PCB-INJECTOR modules
- Possibility of assembling with one to six modules

See page: 173



Module DL-1G-POE-PCB-INJECTOR

- Protection ST 1+2+3 for Ethernet lines up to Cat. 6 including the injector with PoE A or PoE B option



DL-CS-RACK-1U

- Box with height 1U for SPD modules for 19" RACK enclosures with 12 positions for the following SPD modules
- Up to 12 lines with different surge protection
- Protective modules can be combined to save space in 19" RACK enclosures

See page: 173



Modules DL-PCB-Cat.5e, DL-PCB-Cat.6, DL-PCB-Cat.6A

- Modules of fine protection ST 2+3 for Ethernet lines category Cat. 5e, Cat. 6 and Cat. 6A



Modules DL-1G-RJ45-PCB-POE-AB, DL-10G-RJ45-PCB-POE-AB

- Modules of combination of coarse and fine protection ST 1+2+3 for Ethernet lines with PoE A or PoE B
- For data transmission rate category Cat. 6 or Cat. 6A
- Especially to protect communication outgoing lines of the building (boundary of zones LPZ 0 -LPZ 1)



Modules DL-1G-RJ45-PCB-60V, DL-10G-RJ45-PCB-60V

- Protection modules suitable for IP telephony or for applications without specification of type of communication, but twisted-conductor cables Cat. 6 or Cat. 6A are used and the signal voltage does not exceed 60 V DC



DL-1G-POE-INJECTOR

- SPD for Ethernet lines Cat. 6 including injector with PoE A or PoE B option
- Simplifies installation (cabling) and saving space
- Suitable for outgoing lines of the building (boundary of zones LPZ 0 - LPZ 1)

See page: 169



Features of SALTEK® surge arresters

Example: SLP-275 V/3S+1

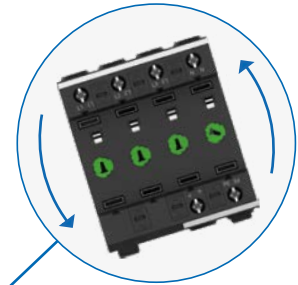
Remote signalling



Biconnect terminals



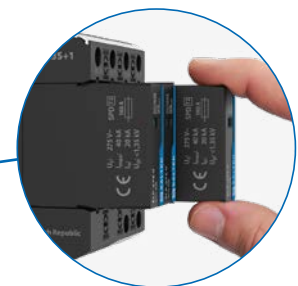
Reversible installation



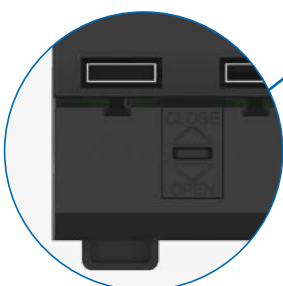
Optical lifetime status indication



Pluggable modules



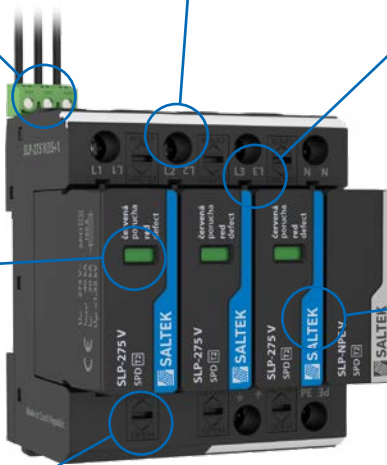
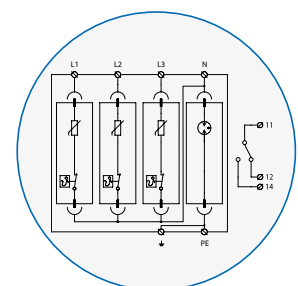
Lock system for fixing of modules



Mechanical coding



Safety thermodynamic disconnecter



SPD Type 1 and SPD Type 1 and 2. FLP series



PV SPD Type 2. SLP series for photovoltaic applications



SPD Type 2. SLP series



PV SPD Type 1 and 2. FLP series for photovoltaic applications



SPD Type 3, e.g., DA series



SPD for data/signal/telecommunication networks

Module marking = easy to identify

To identify arresters in the distribution board easily, SALTEK® pluggable modules and SPDs are marked in colour so it is easy for customers to identify the type of SPD installed in their distribution board.



"N-PE" modules

SPDs connected to LV power supply systems up to 1 000 V

LV power systems
up to 1 000 V



- Office and commercial buildings
- Industrial buildings and installations
- Energy distribution
- Residential buildings
- Smart buildings

- SPD Type 1 – Lightning Current Arresters
- SPD Type 1 and 2 – Lightning Current Arresters
- SPD Type 2 – Surge Arresters
- SPD Type 3 – Surge Protections

Lightning and surge protection

LV power systems up to 1000 V

1. Introduction – Legislative

The use of modern sophisticated equipment, consumer electronics and control systems places high demands on their electromagnetic compatibility. Modern electronic control systems provided with circuits with a very high integration level are becoming more and more sensitive to electromagnetic disturbance and overvoltage. The installation of surge protections according to effective legal standards will reduce the danger of their being damaged to a minimum. Technical designs are defined by standards harmonised with EU standards:

- Protective bonding to the same potential including the conductor cross section for the main and additional bonding is defined by standards **EN 50310 ed. 4.**, **IEC 60364-5-54**, **IEC 60364-4-41**
- Lightning protection is specified in the standard **EN 62305**, harmonised with European standards. **EN 62305-1** deals with general principles.

Lightning protection level	Maximum lightning parameter according to LPL
LPL	First short discharge
LPL I	200 kA
LPL II	150 kA
LPL III	100 kA
LPL IV	100 kA

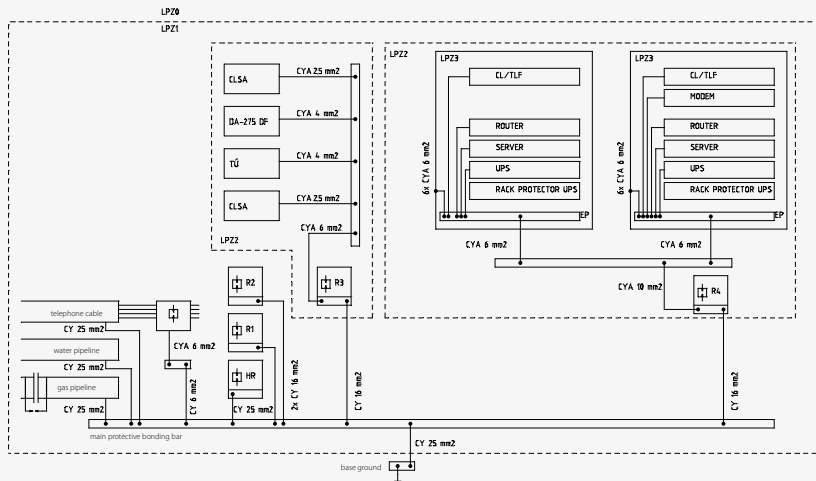
IEC/EN 62305-2 – deals with the risk assessment for buildings or engineering networks struck by lightning.

IEC/EN 62305-3 – deals with the proposal for external lightning protection (lightning conductor).

IEC/EN 62305-4 – deals with protective measures resulting in the reduction of failures of electrical and electronic systems inside the building (zone protection)

- Classification of protections is set forth in standard **EN 61643-11**. Devices are classified into three basic categories:
 - SPD Type 1 – lightning current arresters
 - SPD Type 2 – surge arresters
 - SPD Type 3 – surge arresters
- Classification of low-voltage distribution into impulse resistance categories, including specification of the maximum allowed overvoltage is determined in standard **EN 60664-1**

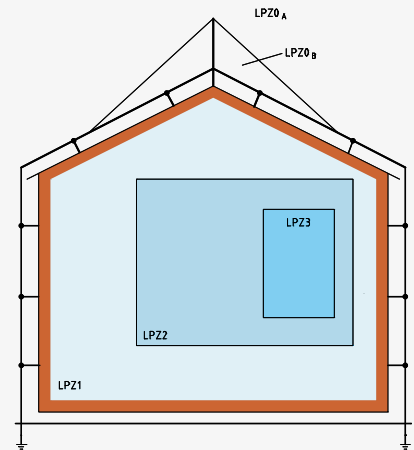
Example of main and additional bonding



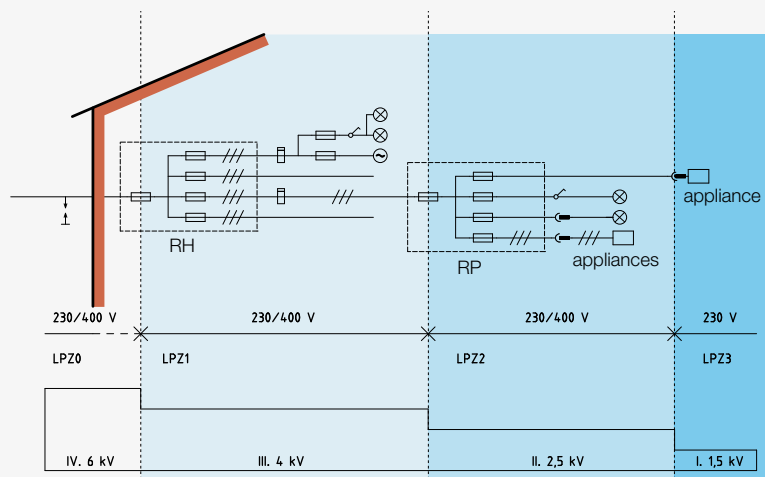
Lightning protection zones

The standard EN 62305-4 defines lightning protection zones LPZ in view of the direct and indirect (electromagnetic pulse – LEMP) lightning effect:

- LPZ 0_A** – free area (possibility of a direct lightning strike, non-attenuated LEMP)
- LPZ 0_B** – lightning conductor receiver protection area (direct lightning strike protection, non-attenuated LEMP)
- LPZ 1** – inside a building (direct lightning strike is eliminated, attenuated LEMP – depending upon shielding)
- LPZ 2** – inside a room – e.g. a server room with a conductive floor, FeAl floors and wall lining (further attenuation of LEMP in connection with a higher shielding level)
- LPZ 3** – inside a metal box (e.g. 19" RACK)

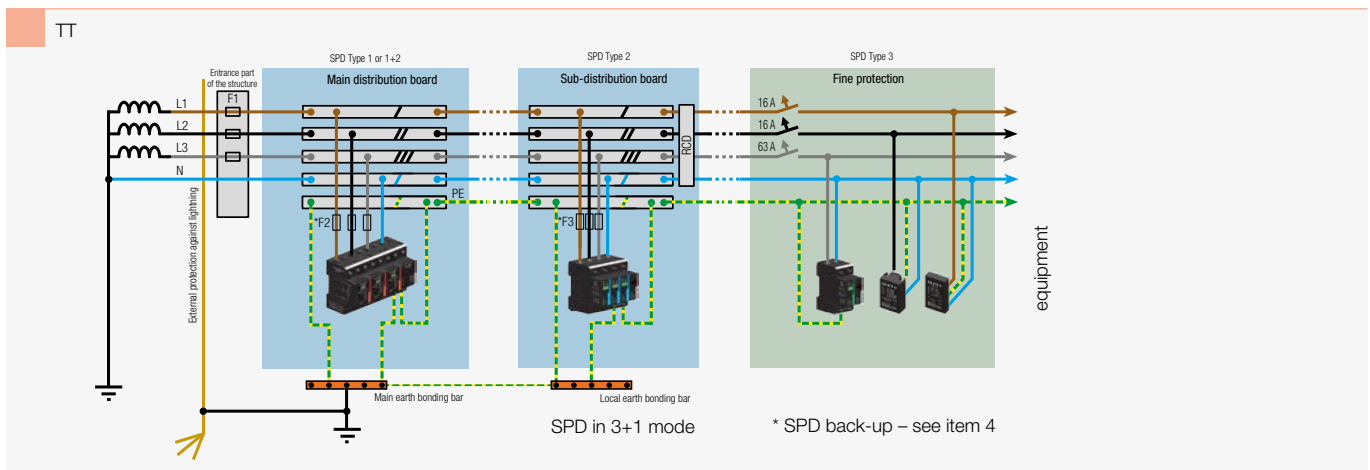
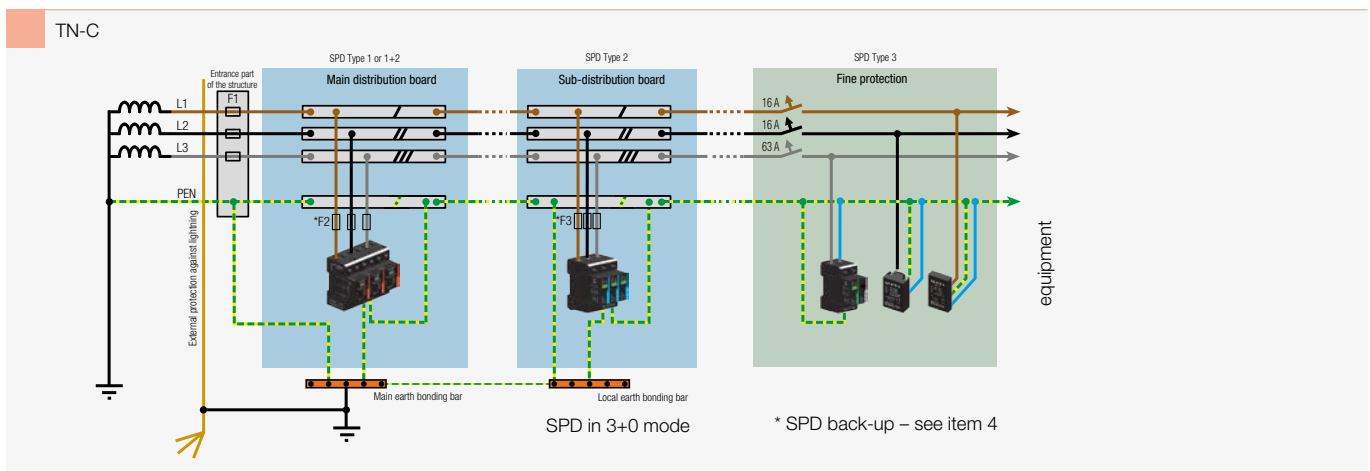
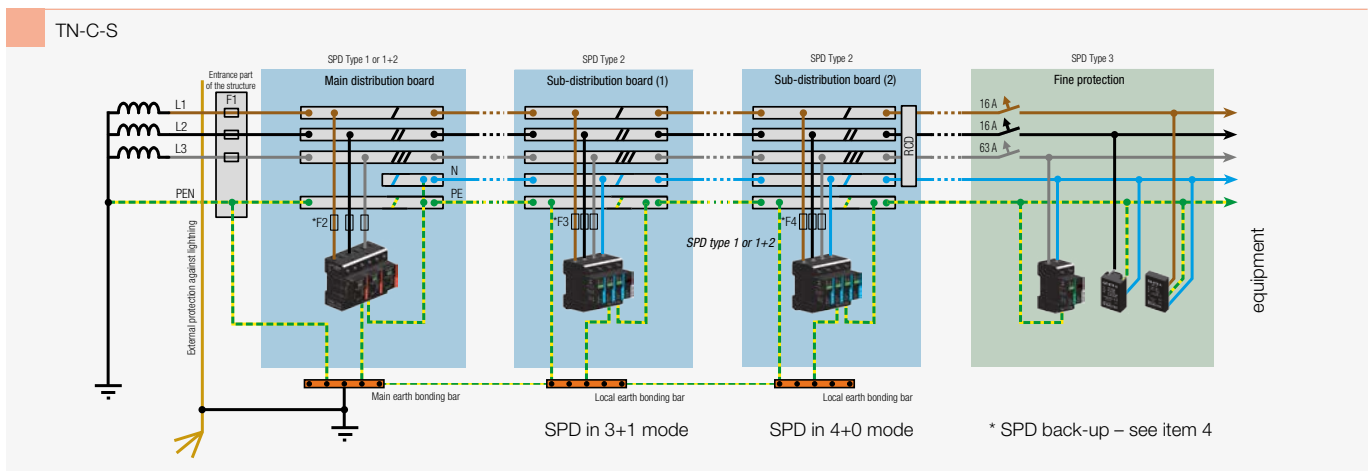
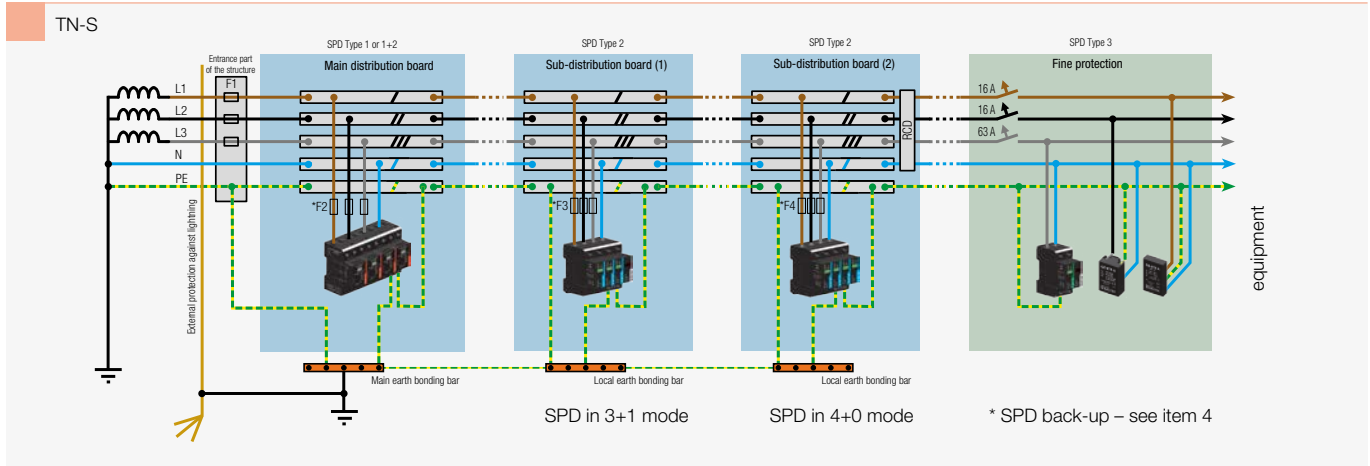


Rated impulse for equipment (acc. to EN 60664-1) or Impulse-withstand voltage.



2. Connection of surge protective devices in networks

LV power systems up to 1000 V



3. SPD dimensioning and their application

Sizing SPD Type 1 EN 62305		
Location of SPD Type 1: at the boundary of LPZ0 and LPZ1 zones in main distribution board		
LPL	Lightning	Total SPD
I.	to 200 kA	100 kA
II.	to 150 kA	75 kA
III.	to 100 kA	50 kA
IV.	to 100 kA	50 kA

Application of SALTEK SPD Type 1 EN 62305		
Location of SPD Type 1: at the boundary of LPZ0 and LPZ1 zones in main distribution board		
LPL	Lightning	Total SPD
I.	to 200 kA	100 kA
Conditions met by:		
FLP-SG50 V(S)/1	- large industrial facilities - structures of special importance - technological facilities - administrative structures	
FLP-B+C MAXI V(S) FLP-25-T1-V(S)	- administrative structures - civic amenities - family houses - near transformer stations	
LPL	Lightning	Total SPD
III.	to 100 kA	50 kA
Conditions met by:		
FLP-12,5 V(S)	- family houses w/o down conductor system with a cable connector in the housing and in the LPS III class - structures in LPS IV class, i.e. structures and halls without persons and interior equipment, structures only with heavy current wiring	
FLP-12,5 V(S)	- on LW earthing supply cables to the structure where the connection is not directly to the public distribution network (i.e. interconnection between 2 structures) - to sub-distribution boards within the structure, with a cable length from the last SPD of over 50 m	

Application of SALTEK SPD Type 2 EN 62305	
Location of SPD Type 2: at the boundary of LPZ1 and LPZ2 zones or sub-distribution board	
Conditions met by:	
SLP-xxx	- all types of wiring - type of network (TN, IT, T T) - connection method - nominal voltage

Application of SALTEK SPD Type 3 EN 62305	
Location of SPD Type 3: at the boundary of LPZ2 and LPZ3 zones (technology)	
Conditions met by:	
DA-275 (DIN rail version)	- all types of wiring (if the equipment is in the clamp or distribution board)
DA-275..., CZ...	- all types of wiring (sockets with overvoltage protection at the shortest possible distance from the appliance)
xxx-OVERDRIVE	- all types of wiring adapters for plugs with overvoltage protection

4. Principle of overcurrent protection of SPD

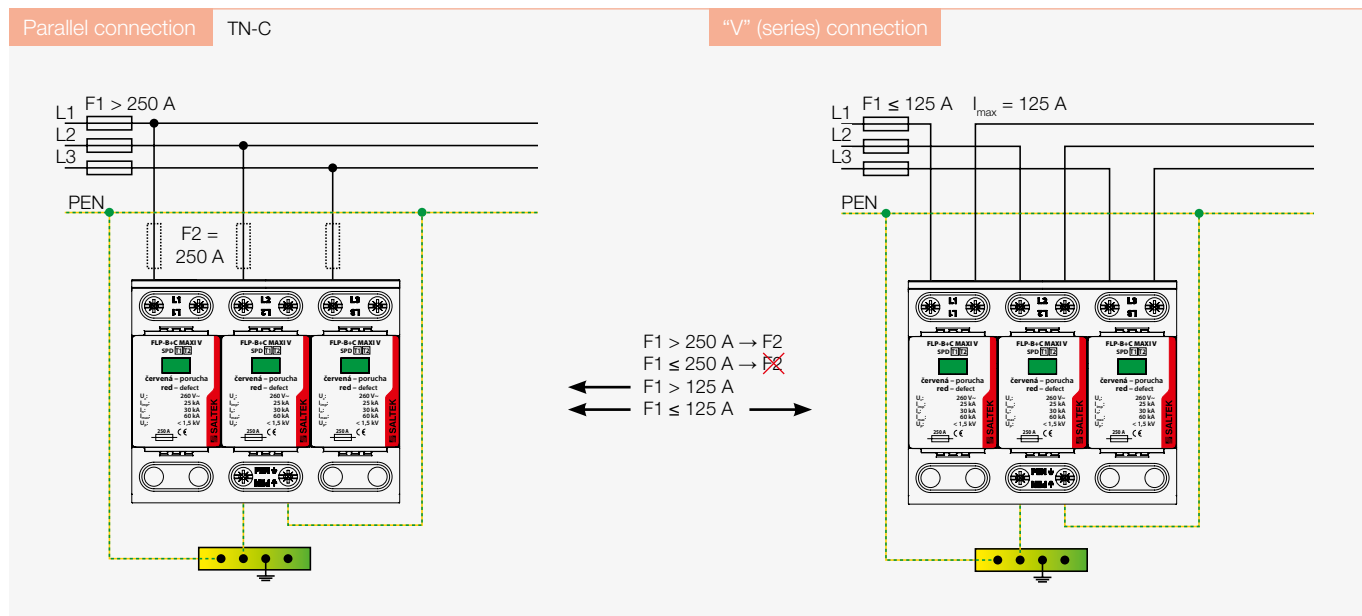
For overcurrent protection of SPD it is important to consider whether we should follow the protection priority principle, which is used in most installations, or the power supply priority principle.

a) protection priority principle – an SPD should be provided with additional protection in this case only if the value of the line protection (F1 fuse) is higher than the value of the respective SPD shown in the catalogue (F2 fuse) and the SPD protection always

has the value shown in the manufacturer's catalogue (parameter – maximum additional protection).

An example of back-up fuse for SPD – FLP-B+C MAXI V – in different supply networks.

The catalogue value of maximum back-up fuse for FLP-B+C MAXI V is 250 A, and 125 A for the "V" connection.



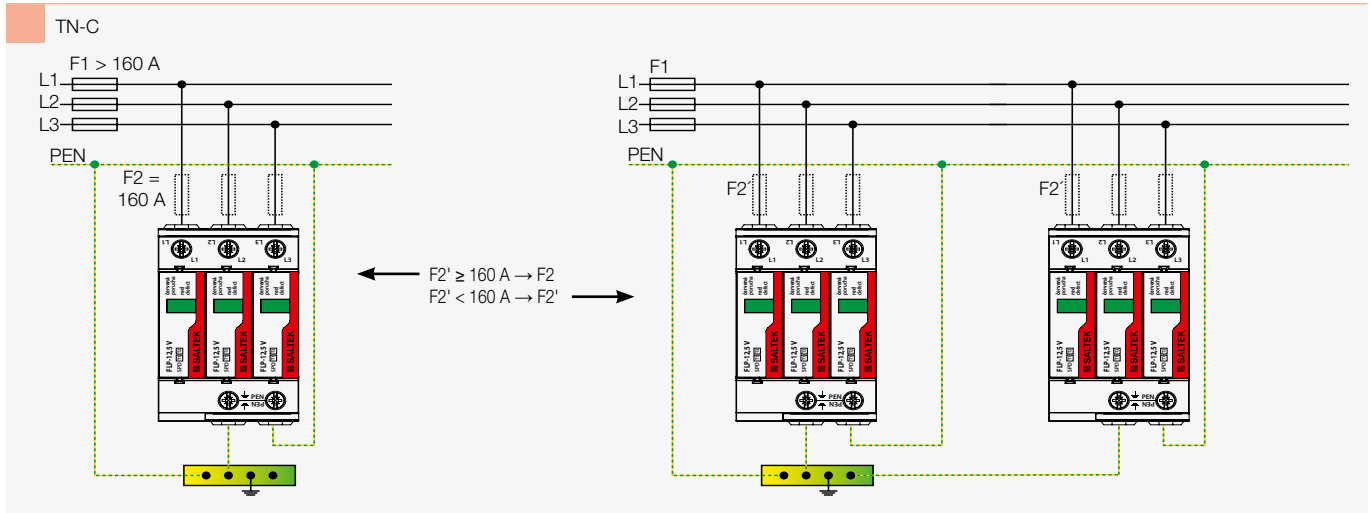
b) supply priority principle – an SPD should always be provided with a back-up fuse in this case, i.e., there are always both F1 and F2 fuses. The value of the SPD back-up (F2 fuse) must be calculated in this case according to the principle of protection selectivity, whereas the value should never be higher than the value specified in the manufacturer’s catalogue. Should the calculation show a higher value than that shown in the catalogue, then the value of the SPD back-up fuse is the same as that in the manufacturer’s catalogue. Should the value of the SPD back-up be lower than that shown in the catalogue, the whole installation (i.e., the SPD back-up and the

SPD itself) should be provided with at least another protection installation next to the original one, as indicated in the example below.

An example of additional SPD protection - FLP-12,5 V - in different supply networks.

The catalogue value of the maximum back-up for FLP-12,5 V is $F2 = 160\text{ A}$.

$F2'$ – the value of the SPD back-up established by the calculation



5. Principles for positioning and connecting of lightning and surge arresters

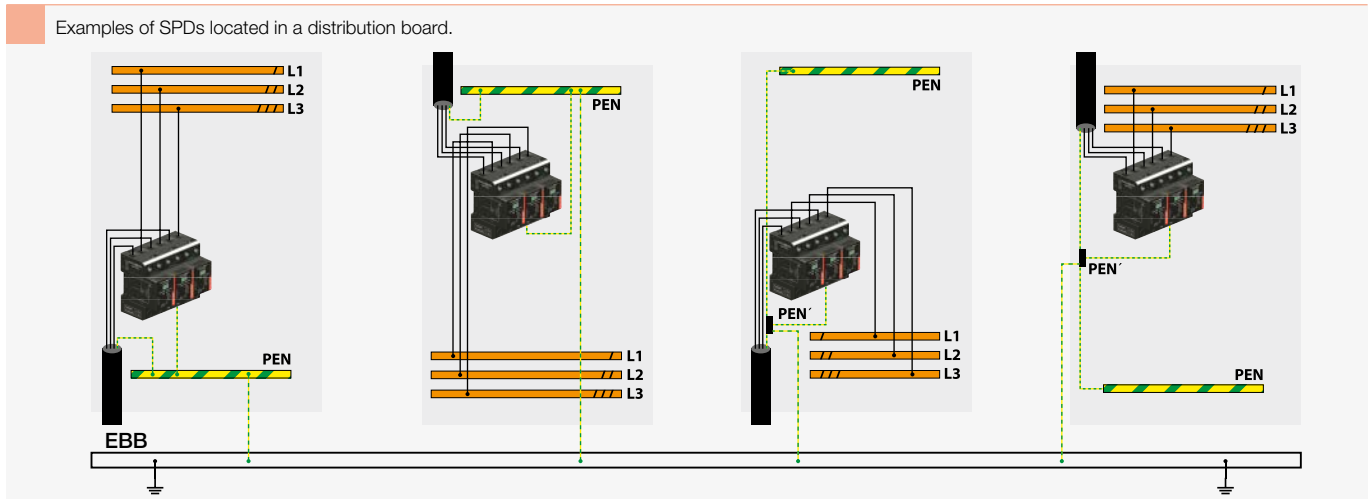
Surge protective devices and lightning current arresters cannot be positioned in the distribution board at random. It should be noted that protection should be located in the closest proximity to the entry feed cable of the distribution board to minimize the area of the induction loop, see the image below.

Another important condition for connecting the SPD is to minimize the impedance of connecting conductors. Stranded conductors or strip lines are preferentially used for connecting SPD Type 1. It is also important that the length of the connecting conductors is as small as possible – see IEC 60364-5-53 chapter 534. The cross-section of the connecting conductors should be as large as possible – maximum up to the cross-section according to the type of connector. In SPD Type 1 (lightning arresters) the connecting conductors are an integral part of the main bonding – as determined by the IEC 60364-4-41 standard, while minimum cross-sections of the connecting conductors are specified in IEC 60364-5-54.

If SPDs are located in circuits where residual current devices are

installed, the SPD should be positioned before the residual current device (not in the residual current device circuit), to prevent spontaneous overload tripping of the RCD affected by surge arresters or lightning current arresters.

Should a surge protection be located in the residual current devices protection by overload tripping, only a protection SPD Type 3 can be used in the circuit of the residual current device. If you want to prevent a residual current device type S or G responding to surge protection by overload tripping, only a protection SPD Type 3 can be used in the circuit of the residual current device.



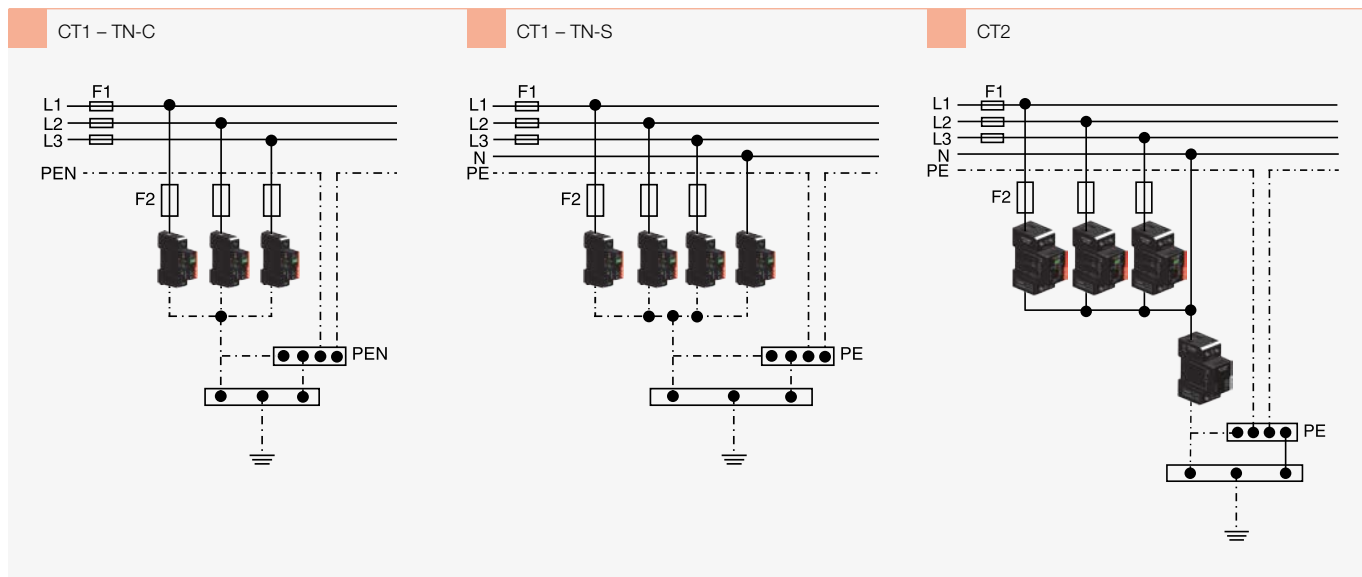
6. SPD dimensioning

Only the SPD Type 1 should be dimensioned. Dimensioning of the SPD Type 1 should be based on the calculation of the lightning protection level (LPL) for the lightning protection system (LPS).

The table from CLC/TS 50539-12 below shows minimum values of the discharge lightning strike current to the pole considering the lightning protection (LPL) class of the building for the SPD Type 1.

If the LPL value is not known, the worse scenario is anticipated			Low voltage networks										
LPL	Maximum current corresponding to LPL	Number of conductors (n)	TT			TN-C	TN-S			IT without neutral conductor	IT with neutral conductor		
			Connection mode				Connection mode			Connection mode			
			CT1		CT2		CT1		CT2	CT1		CT2	
			L-PE	N-PE	L-N	N-PE	L-PEN	L-PE	N-PE	L-N	N-PE	L-PE	L-N
I or unknown	200 kA		I_{imp} (kA)										
		5	N/A	N/A	N/A	N/A	20,0	20,0	80,0	N/A	N/A	N/A	
		4	25,0	25,0	100,0	25,0	N/A	N/A	N/A	N/A	25,0	100,0	
		3	N/A	N/A	N/A	N/A	33,3	33,3	66,7	33,3	N/A	N/A	
II	150 kA		I_{imp} (kA)										
		5	N/A	N/A	N/A	N/A	15,0	15,0	60,0	N/A	N/A	N/A	
		4	18,8	18,8	75,0	18,8	N/A	N/A	N/A	N/A	18,8	75,0	
		3	N/A	N/A	N/A	N/A	25,0	25,0	50,0	25,0	N/A	N/A	
III or IV	100 kA		I_{imp} (kA)										
		5	N/A	N/A	N/A	N/A	10,0	10,0	40,0	N/A	N/A	N/A	
		4	12,5	12,5	50,0	12,5	N/A	N/A	N/A	N/A	12,5	50,0	
		3	N/A	N/A	N/A	N/A	16,7	16,7	33,3	16,7	N/A	N/A	
		2	25,0	25,0	50,0	25,0	N/A	N/A	N/A	25,0	50,0		

Note: CT1 – SPD connected in the x+0 mode; CT2 – SPD connected in the x+1 mode

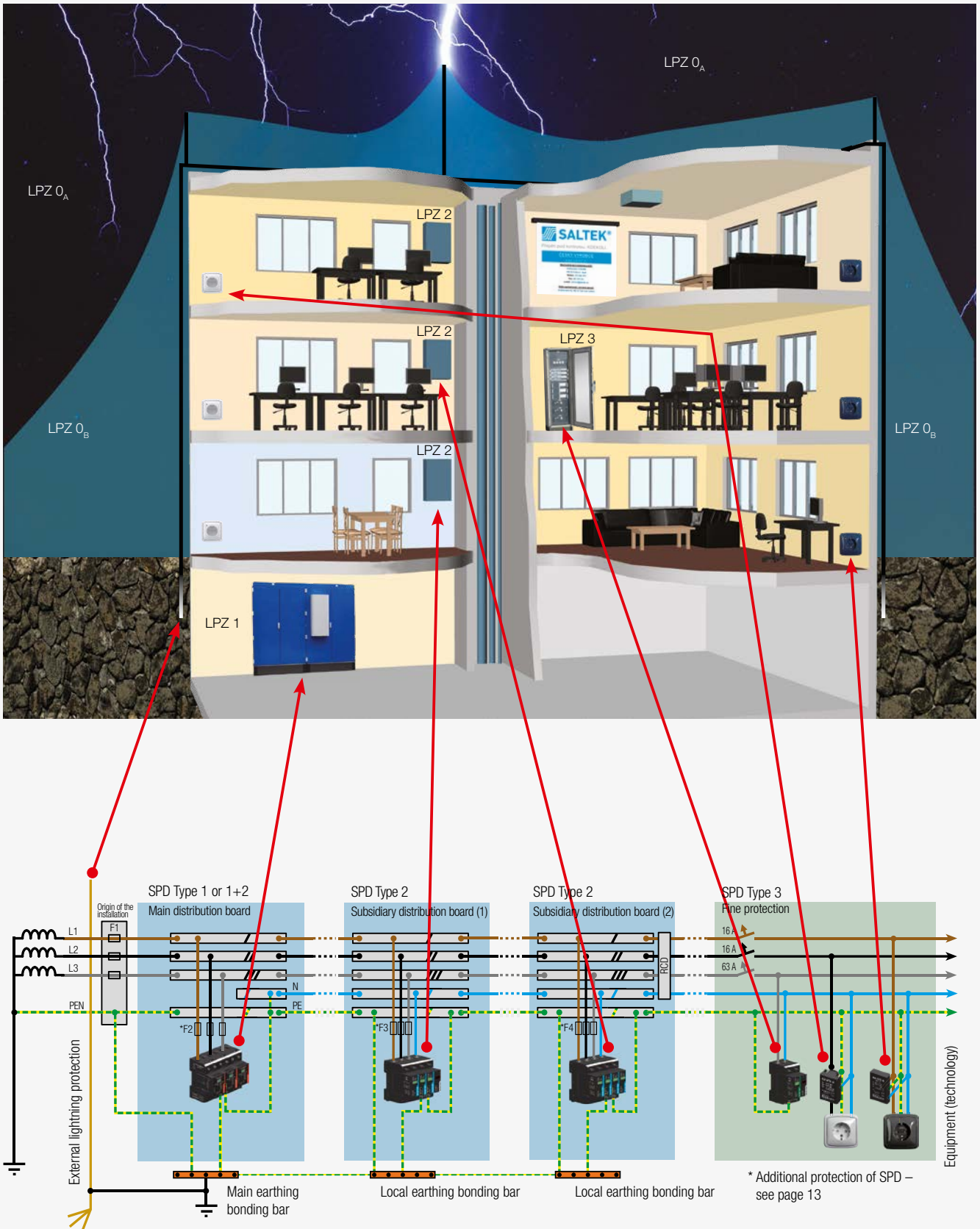


7. Reducing overvoltage in LPZ zones

The principle of reducing voltage using zones lies in progressive reduction of the overvoltage level to a safe value that will not damage the specific equipment or technology. To obtain a safe

overvoltage value, the whole structure is divided into individual zones and the SPD is installed at the boundary between the zones.

LV power systems up to 1000 V



SALTEK® SPD applications in LV distribution systems

LV power systems
up to 1000 V

Type of structure	system	main distribution board (in the structure)	sub-distribution board (in the same structure)	end consumer	
Family houses, administrative buildings, technological units, industrial structures	3-ph. TN-C	FLP-B+C MAXI V(S)/3 FLP-25-T1-V(S)/3	distance > 10 m SLP-275 V/3 (S)	distance > 5 m surge protection to DIN rail: DA-275 V/1(S)+1 (up to 63 A) DA-275 V/3(S)+1 (up to 63 A) DA-275-DJ25-(S) (25 A)	
			distance > 50 m FLP-12,5 V/3 (S)		
			distance > 100 m FLP-B+C MAXI V(S)/3		
		FLP-25-T1-V(S)/3	distance < 10 m SLP-275 V/3 (S)		
		FLP-B+C MAXI V(S)/3 FLP-25-T1-V(S)/3 + SLP-275 V/3 (S) (also with terminals to the equipment)	distance > 10 m SLP-275 V/3 (S)		surge protection to a DIN rail with a RFI filter: DA-275-DFx-(S) (x = 2, 6, 10, 16 A) DA-275 DF25 for 25 A DA-275-DFix (x = 6, 10, 16 A)
			distance > 50 m FLP-12,5 V/3 (S)		
	distance > 100 m FLP-B+C MAXI V(S)/3				
	3-ph. TN-S	FLP-B+C MAXI V(S)/4 FLP-25-T1-V(S)/4	distance > 10 m SLP-275 V/4 (S)	RACK-PROTECTOR multiple sockets to 19" enclosures CZ-275-A, DA-275 CZS DA-275-A, DA-275-S	
			distance > 50 m FLP-12,5 V/4 (S)		
			distance > 100 m FLP-B+C MAXI V(S)/4		
		FLP-25-T1-V(S)/4	distance < 10 m SLP-275 V/4 (S)		
		FLP-B+C MAXI V(S)/4 FLP-25-T1-V(S)/4 + SLP-275 V/4 (S) (also with terminals to the equipment)	distance > 10 m SLP-275 V/4 (S)		for additional assembly to the sockets and appliances
distance > 50 m FLP-12,5 V/4 (S)					
distance > 100 m FLP-B+C MAXI V(S)/4					
3-ph. TN-C-S	FLP-B+C MAXI V(S)/3 FLP-25-T1-V(S)/3	distance > 10 m SLP-275 V/4 (S)			
		distance > 50 m FLP-12,5 V/4 (S)			
		distance > 100 m FLP-B+C MAXI V(S)/4			
	FLP-25-T1-V(S)/3	distance < 10 m SLP-275 V/4 (S)			
	FLP-B+C MAXI V(S)/3 FLP-25-T1-V(S)/3 + SLP-275 V/3 (S) (also with terminals to the equipment)	distance > 10 m SLP-275 V/4 (S)			
		distance > 50 m FLP-12,5 V/4 (S)			
distance > 100 m FLP-B+C MAXI V(S)/4					
Blocks of flats with 12 or more apartments (SPD located in the apart. distr. boards)	3-ph. TN-C		FLP-12,5 V/3 (S)	distance < 5 m place before the surge protection RTO-xx (xx – rated current 16, 35 or 63 A)	
	3-ph. TN-S		FLP-12,5 V/4 (S)		
	3-ph. TN-C-S	division in the apartment distr. board	FLP-12,5 V/3 (S)		
	1-ph. TN-C		FLP-B+C MAXI V(S)/1		
	1-ph. TN-S		FLP-12,5 V/2 (S)		
Demanding applications (structures – operations classified at the risk of explosion, chemical plants..., structures of a very high importance)	3-ph. TN-C	3x FLP-SG50 V(S)/1	distance < 10 m 1x SLP-275 V/3 (S)	number according to connection 1-phase TN-C 1x RTO-xx 1-phase TN-S 2x RTO-xx 3-phase TN-C 3x RTO-xx 3-phase TN-S 4x RTO-xx	
			distance > 10 m SLP-275 V/3 (S)		
			distance > 50 m FLP-12,5 V/3 (S)		
		with terminals to the equipment	distance > 100 m FLP-B+C MAXI V(S)/3		
		3x FLP-SG50 V(S)/1 + 1x SLP-275 V/3 (S)	distance > 10 m SLP-275 V/3 (S)		
			distance > 50 m FLP-12,5 V/3 (S)		
	distance > 100 m FLP-B+C MAXI V(S)/4				
	3-ph. TN-S	4x FLP-SG50 V(S)/1	distance < 10 m 1x SLP-275 V/4 (S)		
			distance > 10 m SLP-275 V/4 (S)		
			distance > 50 m FLP-12,5 V/4 (S)		
		with terminals to the equipment	distance > 100 m FLP-B+C MAXI V(S)/4		
		4x FLP-SG50 V(S)/1 + 1x SLP-275 V/4(S)	distance > 10 m SLP-275 V/4 (S)		
distance > 50 m FLP-12,5 V/4 (S)					
distance > 100 m FLP-B+C MAXI V(S)/4					
3-ph. TN-C-S	division in the main distribution board	distance < 10 m 1x SLP-275 V/4 (S)			
		distance > 10 m SLP-275 V/4 (S)			
		distance > 50 m FLP-12,5 V/4 (S)			
	with terminals to the equipment	distance > 100 m FLP-B+C MAXI V(S)/4			
		distance > 10 m SLP-275 V/4 (S)			
		distance > 50 m FLP-12,5 V/4 (S)			
distance > 100 m FLP-B+C MAXI V(S)/4					

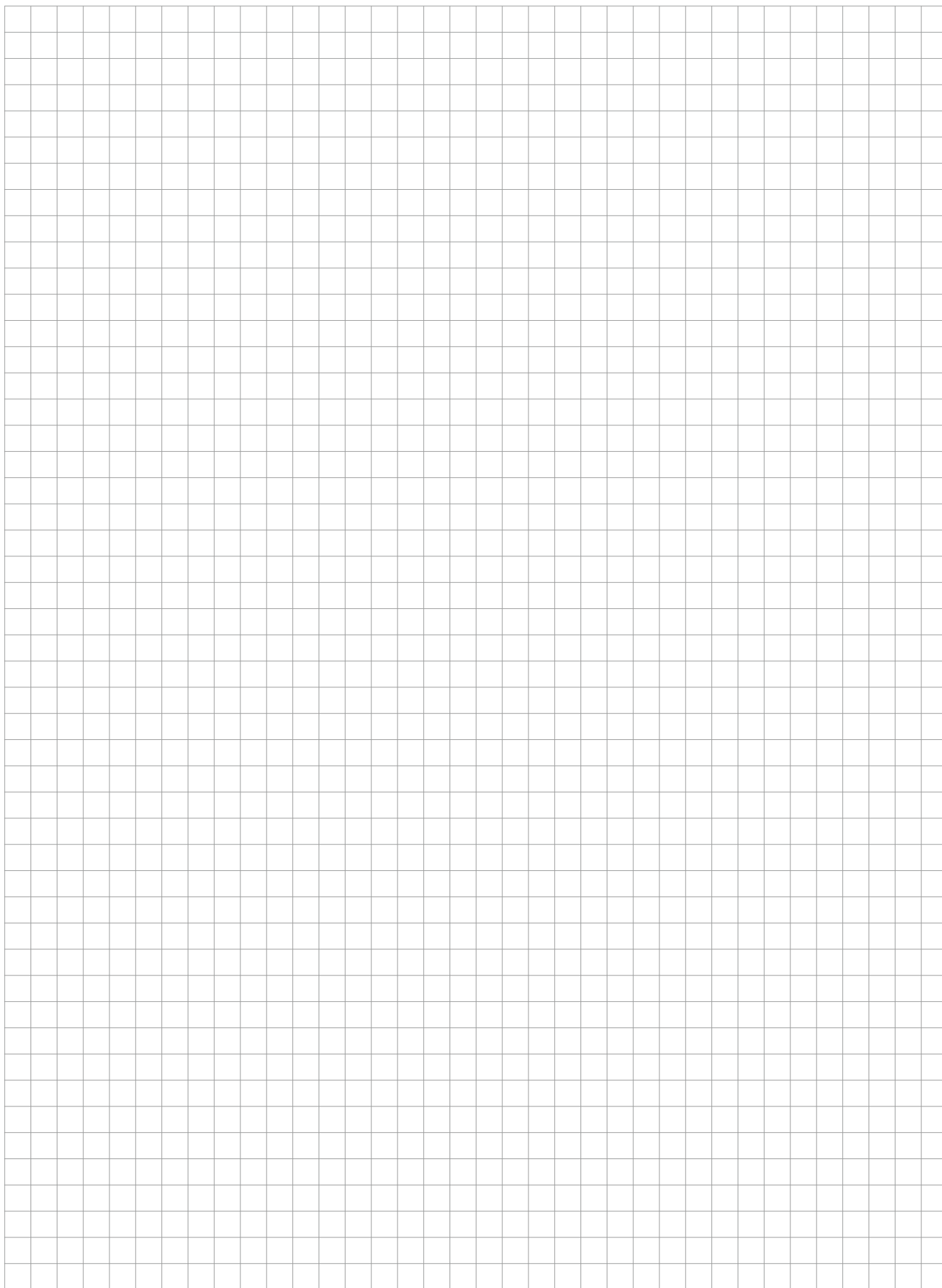
SALTEK® SPD applications in LV distribution systems

LV power systems
up to 1000 V

Type of structure	system	main distribution board (in the structure)	sub-distribution board (in the same structure)	end consumer
Structures equipped with ESE (active down conductor)	3-ph. TN-C	3x FLP-SG50 V(S)/1	distance > 10 m SLP-275 V/3 (S)	distance > 5 m surge protection to DIN rail: DA-275 V/1(S)+1 (up to 63 A) DA-275 V/3(S)+1 (up to 63 A) DA-275-DJ25-(S) (25 A)
			distance > 50 m FLP-12,5 V/3 (S)	
			distance > 100 m FLP-B+C MAXI V(S)/3	
		distance < 10 m SLP-275 V/3 (S)		
		also with terminals to the equipment 3x FLP-SG50 V(S)/1 + SLP-275 V/3(S)	distance > 10 m SLP-275 V/3 (S)	
		distance > 50 m FLP-12,5 V/3 (S)		
	3-ph. TN-S	4x FLP-SG50 V(S)/1	distance > 10 m SLP-275 V/4 (S)	RACK-PROTECTOR multiple sockets for 19" enclosures CZ-275-A, DA-275 CZS DA-275-A, DA-275-S for additional mounting to sockets and appliances
			distance > 50 m FLP-12,5 V/4 (S)	
			distance > 100 m FLP-B+C MAXI V(S)/4	
		distance < 10 m SLP-275 V/4 (S)		
		also with terminals to the equipment 4x FLP-SG50 V(S)/1 + SLP-275 V/4 (S)	distance > 10 m SLP-275 V/4 (S)	
		distance > 50 m FLP-12,5 V/4 (S)		
3-ph. TN-C-S	3x FLP-SG50 V(S)/1	distance > 10 m SLP-275 V/4 (S)		
		distance > 50 m FLP-12,5 V/4 (S)		
		distance > 100 m FLP-B+C MAXI V(S)/4		
	distance < 10 m SLP-275 V/4 (S)			
	also with terminals to the equipment 3x FLP-SG50 V(S)/1 + SLP-275 V/3 (S)	distance > 10 m SLP-275 V/4 (S)		
	distance > 50 m FLP-12,5 V/4 (S)			
Technological equipment with 1-phase connection	1-ph. TN-C	FLP-SG50 V(S)/1	distance < 10 m SLP-275 V/1 (S)	distance < 5 m SPD back-up RTO-xx (xx – rated current 16, 35 or 63 A)
			distance > 10 m SLP-275 V/1 (S)	
			distance > 50 m FLP-12,5 V/1 (S)	
		distance > 100 m FLP-B+C MAXI V(S)/1	number according to connection	
		with terminals to the equipment FLP-SG50 V(S)/1 + SLP-275 V/1(S)	distance > 10 m SLP-275 V/1 (S)	
		distance > 50 m FLP-12,5 V/1 (S)		
	1-ph. TN-S	2x FLP-SG50 V(S)/1	distance < 10 m 1x SLP-275 V/2 (S)	1-phase TN-C 1x RTO-xx 1-phase TN-S 2x RTO-xx 3-phase TN-C 3x RTO-xx 3-phase TN-S 4x RTO-xx
			distance > 10 m 1x SLP-275 V/2 (S)	
			distance > 50 m 1x FLP-12,5 V/2 (S)	
		distance > 100 m FLP-B+C MAXI V(S)/2		
		with terminals to the equipment 2x FLP-SG50 V(S)/1 + 1x SLP-275 V/2 (S)	distance > 10 m 1x SLP-275 V/2 (S)	
		distance > 50 m 1x FLP-12,5 V/2 (S)		
1-ph. TN-C-S	division in the main distribution board FLP-SG50 V(S)/1	distance < 10 m 1x SLP-275 V/2 (S)		
		distance > 10 m 1x SLP-275 V/2 (S)		
		distance > 50 m 1x FLP-12,5 V/2 (S)		
	with terminals to the equipment FLP-SG50 V(S)/1 + SLP-275 V/1 (S)	distance > 10 m 1x SLP-275 V/1 (S)		
	distance > 50 m 1x FLP-12,5 V/2 (S)			
	distance > 100 m FLP-B+C MAXI V(S)/2			

Notes

LV power systems
up to 1 000 V



SPDs connected to LV power supply systems up to 1 000 V

Lightning Current Arresters SPDs Type 1 and Type 1 and 2



- Lightning current arresters, SPDs Type 1
- Combined lightning current and surge arresters, SPDs Type 1 and 2
- Installation mainly to main distribution boards, at the boundary of zones LPZ 0 and LPZ 1 or higher
- Line FLP-SG50 V
- Line FLP-25-T1-V
- Line FLP-B+C MAXI V
- Line FLP-12,5 V

FLP-SG50 V(S)/1

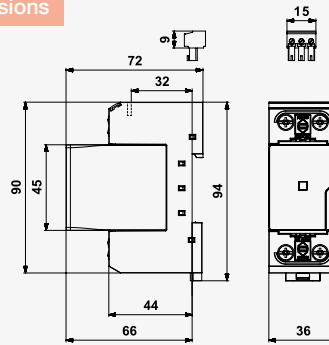
SPD Type 1 – Lightning Current Arrester

pluggable module, visual fault signalling, module locking

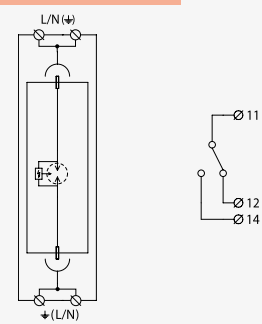
- encapsulated high-performance spark gap
- installation at the boundary of zones LPZ 0 and LPZ 1 or higher, mainly to main distribution boards
- for protection against impact of direct or indirect lightning strikes in the hardest application in heavy, chemical and energy industry
- coordination with SPD Type 2 (SLP-275 V) even without surge separating inductors
- optional remote fault signalling (S)



Dimensions



Basic circuit diagram



Parameter / Type	FLP-SG50 V/1	FLP-SG50 VS/1
Nominal voltage	U_n 230 V AC	230 V AC
Maximum operating voltage	U_c 255 V AC	255 V AC
Nominal load current for "V" connection	I_L 125 A	125 A
Lightning impulse current (10/350 μ s)	I_{imp} 50 kA	50 kA
Nominal discharge current (8/20 μ s)	I_n 50 kA	50 kA
Voltage protection level	U_p 2,5 kV	2,5 kV
Ability to independently switch off the following current	I_i 50 kA	50 kA
Short-circuit current rating	I_{SCCR} 50 kA	50 kA
Maximum overcurrent protection	315 A gL/gG	315 A gL/gG
Maximum overcurrent protection for "V" connection	125 A gL/gG	125 A gL/gG
Response time	t_a 100 ns	100 ns
Cross-section of connected conductors solid (min/max)	2,5 mm ² / 50 mm ²	2,5 mm ² / 50 mm ²
Cross-section of connected conductors stranded (min/max)	2,5 mm ² / 35 mm ²	2,5 mm ² / 35 mm ²
Fault indication	red indication field	red indication field
Remote indication	no	potential-free change-over contact
Remote indication contacts	-	250 V / 0,5 A AC, 250 V / 0,1 A DC
Cross-section of remote indication conductors	-	1,5 mm ²
Degree of protection	IP 20	IP 20
Range of operating temperatures (min/max)	-40 °C / 80 °C	-40 °C / 80 °C
Mounting	DIN rail 35 mm	DIN rail 35 mm
According to standard	EN 61643-11:2012, IEC 61643-11:2011 / T1	EN 61643-11:2012, IEC 61643-11:2011 / T1
Ordering number	A04054	A04053

Spare module	FLP-SG50 V/0	FLP-SG50 VS/0
Ordering number	A04227	A04227

FLP-25-T1-V(S)/1

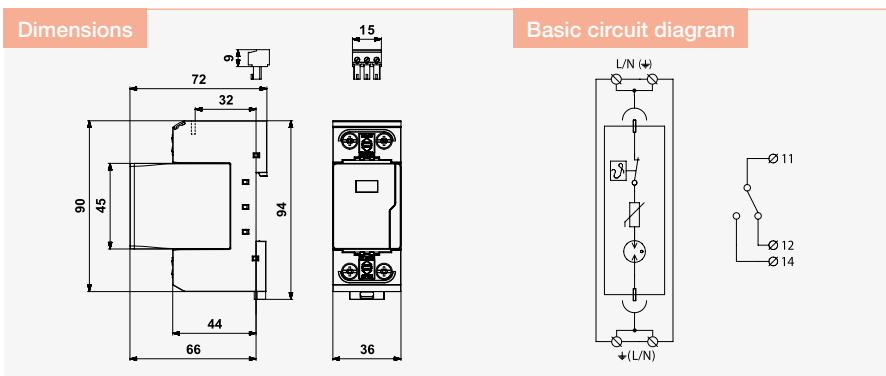
SPD Type 1 – Lightning current arrester

pluggable module, visual fault signalling, module locking

- one-pole high performance lightning current arrester without follow current
- installation at the boundary of zones LPZ 0 and LPZ 1 or higher, mainly to main distribution boards
- for protection against impact of direct

- or indirect lightning strikes in wide range of applications – houses, office and industrial buildings
- coordination with SPD Type 2 (SLP-275 V) even without surge separating inductors

- no leakage current
- optional remote fault signalling (S)



Parameter / Type		FLP-25-T1-V/1	FLP-25-T1-VS/1
Nominal voltage	U_n	230 V AC	230 V AC
Maximum operating voltage	U_c	260 V AC	260 V AC
Nominal load current for "V" connection	I_L	125 A	125 A
Lightning impulse current (10/350 μ s)	I_{imp}	25 kA	25 kA
Voltage protection level	U_p	1,5 kV	1,5 kV
Short-circuit current rating	I_{SCCR}	50 kA	50 kA
Maximum overcurrent protection		250 A gL/gG	250 A gL/gG
Maximum overcurrent protection for "V" connection		125 A gL/gG	125 A gL/gG
Response time	t_a	100 ns	100 ns
Cross-section of connected conductors solid (min/max)		2,5 mm ² / 50 mm ²	2,5 mm ² / 50 mm ²
Cross-section of connected conductors stranded (min/max)		2,5 mm ² / 50 mm ²	2,5 mm ² / 50 mm ²
Fault indication		red indication field	red indication field
Remote indication		–	potential-free change-over contact
Remote indication contacts		–	250 V / 0,5 A AC, 250 V / 0,1 A DC
Cross-section of remote indication conductors		–	1,5 mm ²
Degree of protection		IP 20	IP 20
Range of operating temperatures (min/max)		– 40 °C ... + 80 °C	– 40 °C ... + 80 °C
Mounting		DIN rail 35 mm	DIN rail 35 mm
According to standard		EN 61643-11:2012, IEC 61643-11:2011 / T1	EN 61643-11:2012, IEC 61643-11:2011 / T1
Ordering number		A06263	A06264

Spare module	FLP-25-T1-V/0	FLP-25-T1-V/0
Ordering number	A05453	A05453

LV power systems up to 1000 V

FLP-25-T1-V(S)/2

SPD Type 1 – Lightning current arrester

pluggable module, visual fault signalling, module locking

- two-pole high performance lightning current arrester without follow current
- installation at the boundary of zones LPZ 0 and LPZ 1 or higher, mainly to main distribution boards
- for protection against impact of direct

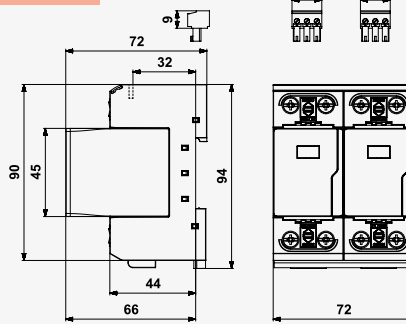
or indirect lightning strikes in wide range of applications – houses, office and industrial buildings

- coordination with SPD Type 2 (SLP-275 V) even without surge separating inductors

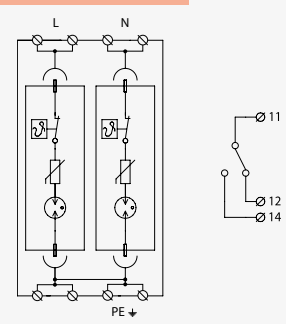
- no leakage current
- optional remote fault signalling (S)



Dimensions



Basic circuit diagram



Parameter / Type		FLP-25-T1-V/2	FLP-25-T1-VS/2
Nominal voltage	U_n	230 V AC	230 V AC
Maximum operating voltage	U_c	260 V AC	260 V AC
Nominal load current for "V" connection	I_L	125 A	125 A
Lightning impulse current (10/350 μ s)	I_{imp}	25 kA	25 kA
Voltage protection level	U_p	1,5 kV	1,5 kV
Short-circuit current rating	I_{SCCR}	50 kA	50 kA
Maximum overcurrent protection		250 A gL/gG	250 A gL/gG
Maximum overcurrent protection for "V" connection		125 A gL/gG	125 A gL/gG
Response time	t_a	100 ns	100 ns
Cross-section of connected conductors solid (min/max)		2,5 mm ² / 50 mm ²	2,5 mm ² / 50 mm ²
Cross-section of connected conductors stranded (min/max)		2,5 mm ² / 50 mm ²	2,5 mm ² / 50 mm ²
Fault indication		red indication field	red indication field
Remote indication		–	potential-free change-over contact
Remote indication contacts		–	250 V / 0,5 A AC, 250 V / 0,1 A DC
Cross-section of remote indication conductors		–	1,5 mm ²
Degree of protection		IP 20	IP 20
Range of operating temperatures (min/max)		– 40 °C ... + 80 °C	– 40 °C ... + 80 °C
Mounting		DIN rail 35 mm	DIN rail 35 mm
According to standard		EN 61643-11:2012, IEC 61643-11:2011 / T1	EN 61643-11:2012, IEC 61643-11:2011 / T1
Ordering number		A06259	A06260

Spare module	FLP-25-T1-V/0	FLP-25-T1-V/0
Ordering number	A05453	A05453

FLP-25-T1-V(S)/1+1

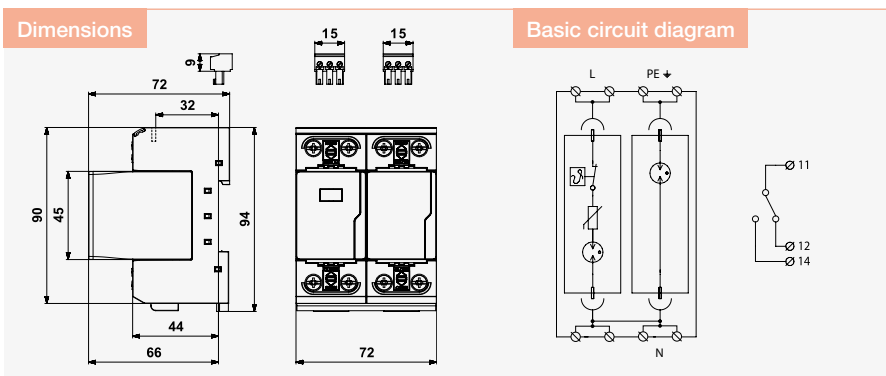
SPD Type 1 – Lightning current arrester

pluggable module, visual fault signalling, module locking

- combination of one-pole high performance lightning current arrester and encapsulated efficiency spark gap, connected in the 1+1 mode
- installation at the boundary of zones LPZ 0 and LPZ 1 or higher, mainly to

- main distribution boards
- for protection against impact of direct or indirect lightning strikes in wide range of applications – houses, office and industrial buildings

- coordination with SPD Type 2 (SLP-275 V) even without surge separating inductors
- no leakage current
- optional remote fault signalling (S)



Parameter / Type		FLP-25-T1-V/1+1	FLP-25-T1-VS/1+1
Nominal voltage	U_n	230 V AC	230 V AC
Maximum operating voltage L-N	U_c	260 V AC	260 V AC
Maximum operating voltage N-PE	U_c	255 V AC	255 V AC
Nominal load current for "V" connection	I_L	125 A	125 A
Lightning impulse current (10/350 μ s) L-N	I_{imp}	25 kA	25 kA
Lightning impulse current (10/350 μ s) N-PE	I_{imp}	50 kA	50 kA
Voltage protection level mode L-N	U_p	1,5 kV	1,5 kV
Voltage protection level mode N-PE	U_p	1,5 kV	1,5 kV
Voltage protection level mode L-PE	U_p	2,2 kV	2,2 kV
Short-circuit current rating	I_{SCCR}	50 kA	50 kA
Maximum overcurrent protection		250 A gL/gG	250 A gL/gG
Maximum overcurrent protection for "V" connection		125 A gL/gG	125 A gL/gG
Response time L-N	t_a	100 ns	100 ns
Response time N-PE	t_a	100 ns	100 ns
Cross-section of connected conductors solid (min/max)		2,5 mm ² / 50 mm ²	2,5 mm ² / 50 mm ²
Cross-section of connected conductors stranded (min/max)		2,5 mm ² / 50 mm ²	2,5 mm ² / 50 mm ²
Fault indication		red indication field	red indication field
Remote indication		–	potential-free change-over contact
Remote indication contacts		–	250 V / 0,5 A AC, 250 V / 0,1 A DC
Cross-section of remote indication conductors		–	1,5 mm ²
Degree of protection		IP 20	IP 20
Range of operating temperatures (min/max)		– 40 °C ... + 80 °C	– 40 °C ... + 80 °C
Mounting		DIN rail 35mm	DIN rail 35mm
According to standard		EN 61643-11:2012, IEC 61643-11:2011 / T1	EN 61643-11:2012, IEC 61643-11:2011 / T1
Ordering number		A06257	A06258

Spare module	FLP-25-T1-V/0	FLP-A50N V/0	FLP-25-T1-V/0	FLP-A50N V/0
Ordering number	A05453	A03537	A05453	A03537

LV power systems up to 1000 V

FLP-25-T1-V(S)/3

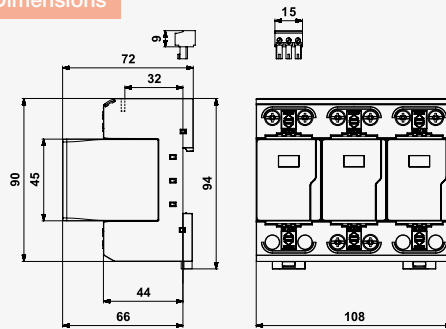
SPD Type 1 – Lightning Current Arrester

pluggable module, visual fault signalling, module locking

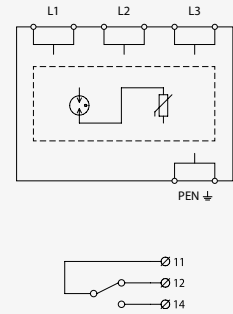
- three-pole high performance lightning current arrester
- installation at the boundary of zones LPZ 0 and LPZ 1 or higher, mainly to main distribution boards
- for protection against impact of direct or indirect lightning strikes in wide range of applications – houses, office and industrial buildings
- coordination with SPD Type 2 (SLP-275 V) even without surge separating inductors
- optional remote fault signalling (S)
- no follow current, no leakage current



Dimensions



Basic circuit diagram



Parameter / Type		FLP-25-T1-V/3	FLP-25-T1-VS/3
Nominal voltage	U_n	230 V AC	230 V AC
Maximum operating voltage	U_c	260 V AC	260 V AC
Nominal load current for "V" connection	I_L	125 A	125 A
Lightning impulse current (10/350 μ s)	I_{imp}	25 kA	25 kA
Voltage protection level	U_p	1,5 kV	1,5 kV
Short-circuit current rating	I_{SCCR}	50 kA	50 kA
Maximum overcurrent protection		250 A gL/gG	250 A gL/gG
Maximum overcurrent protection for "V" connection		125 A gL/gG	125 A gL/gG
Response time	t_a	100 ns	100 ns
Cross-section of connected conductors solid (min/max)		2,5 mm ² / 50 mm ²	2,5 mm ² / 50 mm ²
Cross-section of connected conductors stranded (min/max)		2,5 mm ² / 35 mm ²	2,5 mm ² / 35 mm ²
Fault indication		red indication field	red indication field
Remote indication		no	potential-free change-over contact
Remote indication contacts		-	250 V / 0,5 A AC, 250 V / 0,1 A DC
Cross-section of remote indication conductors		-	1,5 mm ²
Degree of protection		IP 20	IP 20
Range of operating temperatures (min/max)		-40 °C / 80 °C	-40 °C / 80 °C
Mounting		DIN rail 35 mm	DIN rail 35 mm
According to standard		EN 61643-11:2012, IEC 61643-11:2011 / T1	EN 61643-11:2012, IEC 61643-11:2011 / T1
Ordering number		A05300	A05301

Spare module	FLP-25-T1-V/0	FLP-25-T1-V/0
Ordering number	A05453	A05453

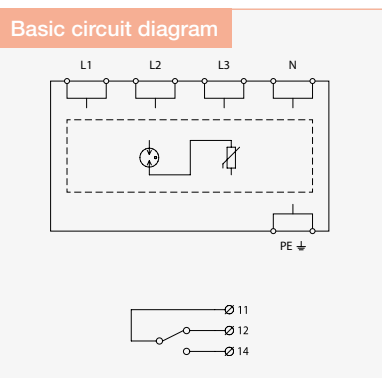
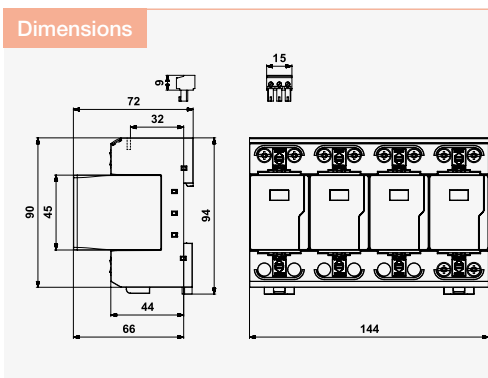
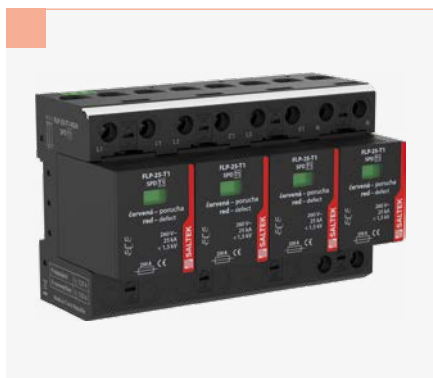
FLP-25-T1-V(S)/4

SPD Type 1 – Lightning Current Arrester

pluggable module, visual fault signalling, module locking

- four-pole high performance lightning current arrester
- installation at the boundary of zones LPZ 0 and LPZ 1 or higher, mainly to main distribution boards
- for protection against impact of direct or indirect lightning strikes in wide range of applications – houses, office and industrial buildings
- coordination with SPD Type 2 (SLP-275 V) even without surge separating inductors
- optional remote fault signalling (S)
- no follow current, no leakage current

LV power systems up to 1000 V



Parameter / Type		FLP-25-T1-V/4	FLP-25-T1-VS/4
Nominal voltage	U_n	230 V AC	230 V AC
Maximum operating voltage	U_c	260 V AC	260 V AC
Nominal load current for "V" connection	I_L	125 A	125 A
Lightning impulse current (10/350 μ s)	I_{imp}	25 kA	25 kA
Voltage protection level	U_p	1,5 kV	1,5 kV
Short-circuit current rating	I_{SCCR}	50 kA	50 kA
Maximum overcurrent protection		250 A gL/gG	250 A gL/gG
Maximum overcurrent protection for "V" connection		125 A gL/gG	125 A gL/gG
Response time	t_a	100 ns	100 ns
Cross-section of connected conductors solid (min/max)		2,5 mm ² / 50 mm ²	2,5 mm ² / 50 mm ²
Cross-section of connected conductors stranded (min/max)		2,5 mm ² / 35 mm ²	2,5 mm ² / 35 mm ²
Fault indication		red indication field	red indication field
Remote indication		-	potential-free change-over contact
Remote indication contacts		-	250 V / 0,5 A AC, 250 V / 0,1 A DC
Cross-section of remote indication conductors		-	1,5 mm ²
Degree of protection		IP 20	IP 20
Range of operating temperatures (min/max)		-40 °C / 80 °C	-40 °C / 80 °C
Mounting		DIN rail 35 mm	DIN rail 35 mm
According to standard		EN 61643-11:2012, IEC 61643-11:2011 / T1	EN 61643-11:2012, IEC 61643-11:2011 / T1
Ordering number		A05302	A05303

Spare module	FLP-25-T1-V/0	FLP-25-T1-V/0
Ordering number	A05453	A05453

FLP-25-T1-V(S)/3+1

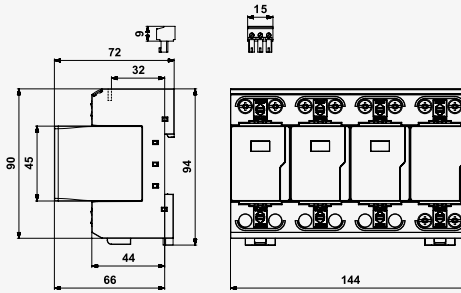
SPD Type 1 – Lightning Current Arrester

pluggable module, visual fault signalling, module locking

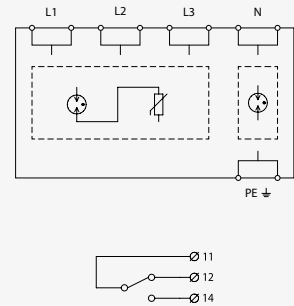
- combination of three-pole high performance lightning current arrester and encapsulated efficiency spark gap, connected in the 3+1 mode
- installation at the boundary of zones LPZ 0 and LPZ 1 or higher, mainly to
 - main distribution boards
 - for protection against impact of direct or indirect lightning strikes in wide range of applications – houses, office and industrial buildings
 - coordination with SPD Type 2 (SLP-275 V) even without surge separating inductors
 - optional remote fault signalling (S)
 - no leakage current



Dimensions



Basic circuit diagram



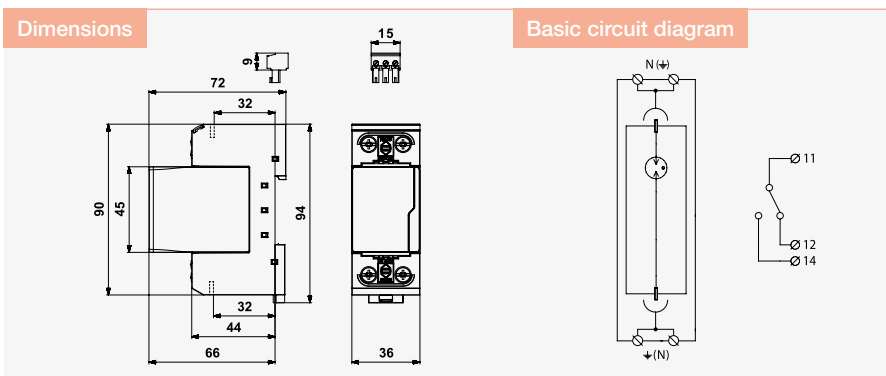
Parameter / Type		FLP-25-T1-V/3+1	FLP-25-T1-VS/3+1
Nominal voltage	U_n	230 V AC	230 V AC
Maximum operating voltage L-N	U_c	260 V AC	260 V AC
Maximum operating voltage N-PE	U_c	255 V AC	255 V AC
Nominal load current for "V" connection	I_L	125 A	125 A
Lightning impulse current (10/350 μ s) L-N	I_{imp}	25 kA	25 kA
Lightning impulse current (10/350 μ s) N-PE	I_{imp}	100 kA	100 kA
Voltage protection level mode L-N	U_p	1,5 kV	1,5 kV
Voltage protection level mode N-PE	U_p	1,5 kV	1,5 kV
Voltage protection level mode L-PE	U_p	2,2 kV	2,2 kV
Ability to independently switch off the following current N-PE	I_{fi}	0,1 kA	0,1 kA
Short-circuit current rating	I_{SCCR}	50 kA	50 kA
Maximum overcurrent protection		250 A gL/gG	250 A gL/gG
Maximum overcurrent protection for "V" connection		125 A gL/gG	125 A gL/gG
Response time L-N	t_a	100 ns	100 ns
Response time N-PE	t_a	100 ns	100 ns
Cross-section of connected conductors solid (min/max)		2,5 mm ² / 50 mm ²	2,5 mm ² / 50 mm ²
Cross-section of connected conductors stranded (min/max)		2,5 mm ² / 35 mm ²	2,5 mm ² / 35 mm ²
Fault indication L-N		red indication field	red indication field
Fault indication N-PE		no	no
Remote indication		-	potential-free change-over contact
Remote indication contacts		-	250V/0,5A AC, 250V/0,1A DC
Cross-section of remote indication conductors		-	1,5 mm ²
Degree of protection		IP 20	IP 20
Range of operating temperatures (min/max)		-40 °C / 80 °C	-40 °C / 80 °C
Mounting		DIN rail 35 mm	DIN rail 35 mm
According to standard		EN 61643-11:2012, IEC 61643-11:2011 / T1	EN 61643-11:2012, IEC 61643-11:2011 / T1
Ordering number		A05304	A05305

Spare module	FLP-25-T1-V/0	FLP-A100N V/0	FLP-25-T1-V/0	FLP-A100N V/0
Ordering number	A05453	A03536	A05453	A03536

FLP-A...N VS/NPE

SPD Type 1 – Lightning Current Arrester, Spark Gap for N-PE
N-PE module, pluggable module

- for connection SPD Type 1 in 1+1 and 3+1 mode
- installation at the boundary of zones LPZ 0 and LPZ 1 or higher, mainly to main distribution boards
- for protection against impact of direct or indirect lightning strikes



Parameter / Type		FLP-A50N VS/NPE	FLP-A100N VS/NPE
Maximum operating voltage	U_c	255 V AC	255 V AC
Nominal load current for "V" connection	I_L	125 A	125 A
Lightning impulse current (10/350 μ s)	I_{imp}	50 kA	100 kA
Nominal discharge current (8/20 μ s)	I_n	50 kA	100 kA
Maximum discharge current (8/20 μ s)	I_{max}	100 kA	100 kA
Voltage protection level	U_p	1,5 kV	1,5 kV
Ability to independently switch off the following current	I_{fi}	0,1 kA	0,1 kA
Response time	t_a	100 ns	100 ns
Cross-section of connected conductors solid (min/max)		2,5 mm ² / 50 mm ²	2,5 mm ² / 50 mm ²
Cross-section of connected conductors stranded (min/max)		2,5 mm ² / 35 mm ²	2,5 mm ² / 35 mm ²
Fault indication		remote signalling of N-PE module shows the presence of the replaceable module	remote signalling of N-PE module shows the presence of the replaceable module
Remote indication		potential-free change-over contact	potential-free change-over contact
Remote indication contacts		250V/0,5A AC, 250V/0,1A DC	250V/0,5A AC, 250V/0,1A DC
Cross-section of remote indication conductors		1,5 mm ²	1,5 mm ²
Degree of protection		IP 20	IP 20
Range of operating temperatures (min/max)		-40 °C / 80 °C	-40 °C / 80 °C
Mounting		DIN rail 35 mm	DIN rail 35 mm
According to standard		EN 61643-11:2012, IEC 61643-11:2011 / T1	EN 61643-11:2012, IEC 61643-11:2011 / T1
Ordering number		A03573	A03574

Spare module	FLP-A50N V/O	FLP-A100N V/O
Ordering number	A03537	A03536

LV power systems up to 1000 V

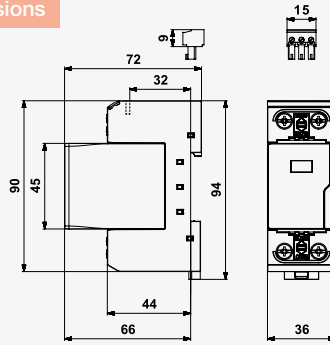
FLP-B+C MAXI V(S)/1

SPD Type 1 and Type 2 – Lightning Current Arrester and Surge Arrester
pluggable module, visual fault signalling, module locking

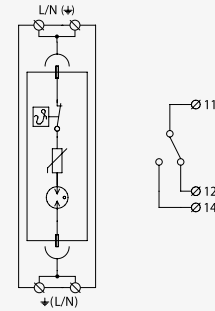
- high performance lightning current arrester
- installation at the boundary of zones LPZ 0 and LPZ 1 or higher, mainly to main distribution boards
- for protection against impact of direct or indirect lightning strikes in wide range of applications – houses, office or industrial buildings, resp. to sub-distribution boards in large buildings
- optional remote fault signalling (S)
- no follow current, no leakage current



Dimensions



Basic circuit diagram



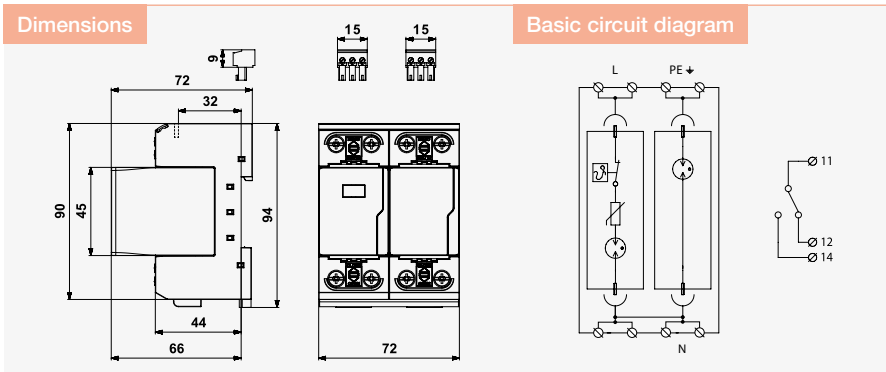
Parameter / Type		FLP-B+C MAXI V/1	FLP-B+C MAXI VS/1
Nominal voltage	U_n	230 V AC	230 V AC
Maximum operating voltage	U_c	260 V AC	260 V AC
Nominal load current for "V" connection	I_L	125 A	125 A
Lightning impulse current (10/350 μ s)	I_{imp}	25 kA	25 kA
Nominal discharge current (8/20 μ s)	I_n	30 kA	30 kA
Maximum discharge current (8/20 μ s)	I_{max}	60 kA	60 kA
Voltage protection level	U_p	1,5 kV	1,5 kV
Short-circuit current rating	I_{SCCR}	50 kA	50 kA
Maximum overcurrent protection		250 A gL/gG	250 A gL/gG
Maximum overcurrent protection for "V" connection		125 A gL/gG	125 A gL/gG
Response time	t_a	100 ns	100 ns
Cross-section of connected conductors solid (min/max)		2,5 mm ² / 50 mm ²	2,5 mm ² / 50 mm ²
Cross-section of connected conductors stranded (min/max)		2,5 mm ² / 35 mm ²	2,5 mm ² / 35 mm ²
Fault indication		red indication field	red indication field
Remote indication		-	potential-free change-over contact
Remote indication contacts		-	250 V / 0,5 A AC, 250 V / 0,1 A DC
Cross-section of remote indication conductors		-	1,5 mm ²
Degree of protection		IP 20	IP 20
Range of operating temperatures (min/max)		-40 °C / 80 °C	-40 °C / 80 °C
Mounting		DIN rail 35 mm	DIN rail 35 mm
According to standard		EN 61643-11:2012, IEC 61643-11:2011 / T1,T2	EN 61643-11:2012, IEC 61643-11:2011 / T1,T2
Ordering number		A05091	A03533

Spare module	FLP-B+C MAXI V/0	FLP-B+C MAXI V/0
Ordering number	A03535	A03535

FLP-B+C MAXI V(S)/1+1

SPD Type 1 and Type 2 – Lightning Current Arrester and Surge Arrester
 pluggable module, visual fault signalling, module locking

- combination of high performance lightning current arrester and encapsulated efficiency spark gap, connected in the 1+1 mode
- installation at the boundary of zones LPZ 0 and LPZ 1 or higher, mainly to
 - main distribution boards
 - for protection against impact of direct or indirect lightning strikes in wide range of applications with single-phase networks, resp. to sub-distribution boards in large buildings
- optional remote fault signalling (S)
- no leakage current



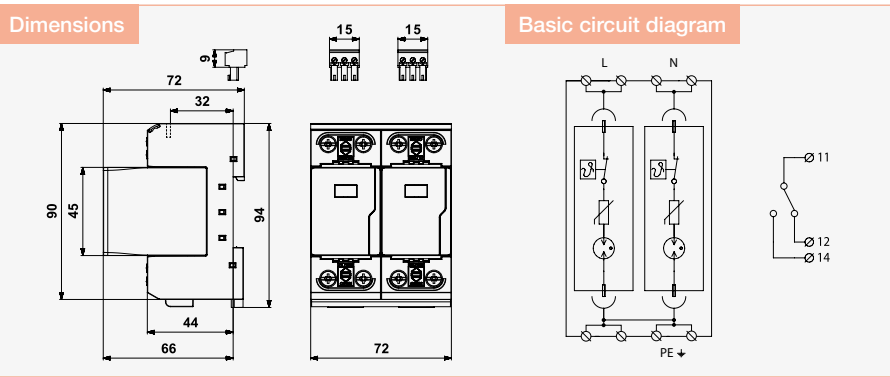
Parameter / Type		FLP-B+C MAXI V/1+1	FLP-B+C MAXI VS/1+1
Nominal voltage	U_n	230 V AC	230 V AC
Maximum operating voltage L-N	U_c	260 V AC	260 V AC
Maximum operating voltage N-PE	U_c	255 V AC	255 V AC
Nominal load current for "V" connection	I_L	125 A	125 A
Lightning impulse current (10/350 μ s) L-N	I_{imp}	25 kA	25 kA
Lightning impulse current (10/350 μ s) N-PE	I_{imp}	50 kA	50 kA
Nominal discharge current (8/20 μ s) L-N	I_n	30 kA	30 kA
Nominal discharge current (8/20 μ s) N-PE	I_n	50 kA	50 kA
Maximum discharge current (8/20 μ s) L-N	I_{max}	60 kA	60 kA
Maximum discharge current (8/20 μ s) N-PE	I_{max}	100 kA	100 kA
Voltage protection level mode L-N	U_p	1,5 kV	1,5 kV
Voltage protection level mode N-PE	U_p	1,5 kV	1,5 kV
Voltage protection level mode L-PE	U_p	2,2 kV	2,2 kV
Short-circuit current rating	I_{SCCR}	50 kA	50 kA
Maximum overcurrent protection		250 A gL/gG	250 A gL/gG
Maximum overcurrent protection for "V" connection		125 A gL/gG	125 A gL/gG
Response time L-N	t_a	100 ns	100 ns
Response time N-PE	t_a	100 ns	100 ns
Cross-section of connected conductors solid (min/max)		2,5 mm ² / 50 mm ²	2,5 mm ² / 50 mm ²
Cross-section of connected conductors stranded (min/max)		2,5 mm ² / 35 mm ²	2,5 mm ² / 35 mm ²
Fault indication L-N		red indication field	red indication field
Fault indication N-PE		no	no
Remote indication		-	potential-free change-over contact
Remote indication contacts		-	250 V / 0,5 A AC, 250 V / 0,1 A DC
Cross-section of remote indication conductors		-	1,5 mm ²
Degree of protection		IP 20	IP 20
Range of operating temperatures (min/max)		-40 °C / 80 °C	-40 °C / 80 °C
Mounting		DIN rail 35 mm	DIN rail 35 mm
According to standard		EN 61643-11:2012, IEC 61643-11:2011 / T1,T2	EN 61643-11:2012, IEC 61643-11:2011 / T1,T2
Ordering number		A05095	A03783

Spare module	FLP-B+C MAXI V/0	FLP-A50N V/0	FLP-B+C MAXI V/0	FLP-A50N V/0
Ordering number	A03535	A03537	A03535	A03537

FLP-B+C MAXI V(S)/2

SPD Type 1 and Type 2 – Lightning Current Arrester and Surge Arrester
pluggable module, visual fault signalling, module locking

- high performance lightning current arrester
- installation at the boundary of zones LPZ 0 and LPZ 1 or higher, mainly to main distribution boards
- for protection against impact of direct or indirect lightning strikes in wide range of applications – houses, office or industrial buildings, resp. to sub-distribution boards in large buildings
- optional remote fault signalling (S)
- no follow current, no leakage current



Parameter / Type		FLP-B+C MAXI V/2	FLP-B+C MAXI VS/2
Nominal voltage	U_n	230 V AC	230 V AC
Maximum operating voltage	U_c	260 V AC	260 V AC
Nominal load current for "V" connection	I_L	125 A	125 A
Lightning impulse current (10/350 μ s)	I_{imp}	25 kA	25 kA
Nominal discharge current (8/20 μ s)	I_n	30 kA	30 kA
Maximum discharge current (8/20 μ s)	I_{max}	60 kA	60 kA
Voltage protection level	U_p	1,5 kV	1,5 kV
Short-circuit current rating	I_{SCCR}	50 kA	50 kA
Maximum overcurrent protection		250 A gL/gG	250 A gL/gG
Maximum overcurrent protection for "V" connection		125 A gL/gG	125 A gL/gG
Response time	t_a	100 ns	100 ns
Cross-section of connected conductors solid (min/max)		2,5 mm ² / 50 mm ²	2,5 mm ² / 50 mm ²
Cross-section of connected conductors stranded (min/max)		2,5 mm ² / 35 mm ²	2,5 mm ² / 35 mm ²
Fault indication		red indication field	red indication field
Remote indication		-	potential-free change-over contact
Remote indication contacts		-	250 V / 0,5 A AC, 250 V / 0,1 A DC
Cross-section of remote indication conductors		-	1,5 mm ²
Degree of protection		IP 20	IP 20
Range of operating temperatures (min/max)		-40 °C / 80 °C	-40 °C / 80 °C
Mounting		DIN rail 35 mm	DIN rail 35 mm
According to standard		EN 61643-11:2012, IEC 61643-11:2011 / T1,T2	EN 61643-11:2012, IEC 61643-11:2011 / T1,T2
Ordering number		A05092	A03784

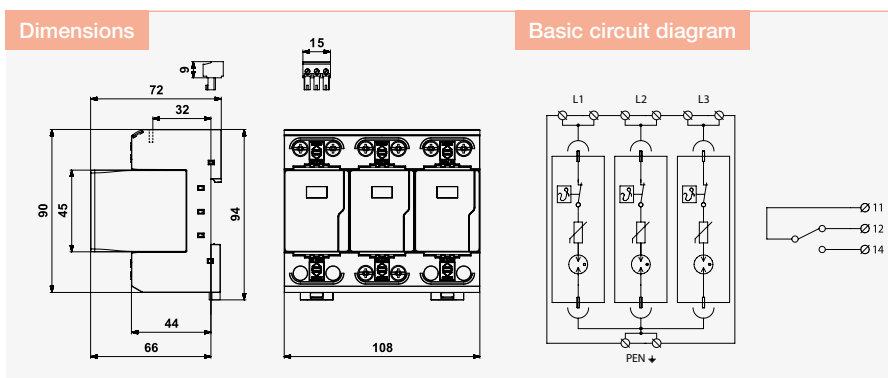
Spare module	FLP-B+C MAXI V/0	FLP-B+C MAXI V/0
Ordering number	A03535	A03535

FLP-B+C MAXI V(S)/3

SPD Type 1 and Type 2 – Lightning Current Arrester and Surge Arrester
pluggable module, visual fault signalling, module locking

- three-pole high performance lightning current arrester
- installation at the boundary of zones LPZ 0 and LPZ 1 or higher, mainly to main distribution boards
- for protection against impact of direct or indirect lightning strikes in wide range of applications – houses, office or industrial buildings, resp. to sub-distribution boards in large buildings
- optional remote fault signalling (S)
- no follow current, no leakage current

LV power systems up to 1000 V



Parameter / Type		FLP-B+C MAXI V/3	FLP-B+C MAXI VS/3
Nominal voltage	U_n	230 V AC	230 V AC
Maximum operating voltage	U_c	260 V AC	260 V AC
Nominal load current for "V" connection	I_L	125 A	125 A
Lightning impulse current (10/350 μ s)	I_{imp}	25 kA	25 kA
Nominal discharge current (8/20 μ s)	I_n	30 kA	30 kA
Maximum discharge current (8/20 μ s)	I_{max}	60 kA	60 kA
Voltage protection level	U_p	1,5 kV	1,5 kV
Short-circuit current rating	I_{SCCR}	50 kA	50 kA
Maximum overcurrent protection		250 A gL/gG	250 A gL/gG
Maximum overcurrent protection for "V" connection		125 A gL/gG	125 A gL/gG
Response time	t_a	100 ns	100 ns
Cross-section of connected conductors solid (min/max)		2,5 mm ² / 50 mm ²	2,5 mm ² / 50 mm ²
Cross-section of connected conductors stranded (min/max)		2,5 mm ² / 35 mm ²	2,5 mm ² / 35 mm ²
Fault indication		red indication field	red indication field
Remote indication		-	potential-free change-over contact
Remote indication contacts		-	250 V / 0,5 A AC, 250 V / 0,1 A DC
Cross-section of remote indication conductors		-	1,5 mm ²
Degree of protection		IP 20	IP 20
Range of operating temperatures (min/max)		-40 °C / 80 °C	-40 °C / 80 °C
Mounting		DIN rail 35 mm	DIN rail 35 mm
According to standard		EN 61643-11:2012, IEC 61643-11:2011 / T1,T2	EN 61643-11:2012, IEC 61643-11:2011 / T1,T2
Ordering number		A05093	A03570

Spare module	FLP-B+C MAXI V/0	FLP-B+C MAXI V/0
Ordering number	A03535	A03535

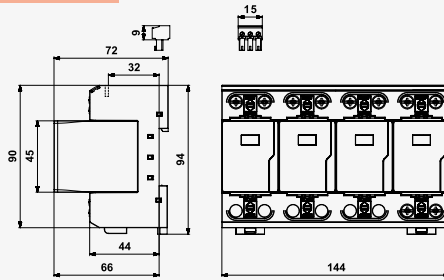
FLP-B+C MAXI V(S)/4

SPD Type 1 and Type 2 – Lightning Current Arrester and Surge Arrester
pluggable module, visual fault signalling, module locking

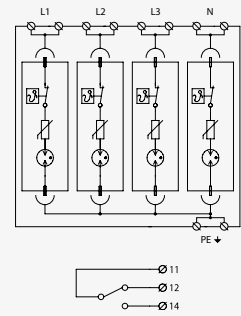
- four-pole high performance lightning current arrester
- installation at the boundary of zones LPZ 0 and LPZ 1 or higher, mainly to main distribution boards
- for protection against impact of direct or indirect lightning strikes in wide range of applications – houses, office or industrial buildings, resp. to sub-distribution boards in large buildings
- optional remote fault signalling (S)
- no follow current, no leakage current



Dimensions



Basic circuit diagram



Parameter / Type		FLP-B+C MAXI V/4	FLP-B+C MAXI VS/4
Nominal voltage	U_n	230 V AC	230 V AC
Maximum operating voltage	U_c	260 V AC	260 V AC
Nominal load current for "V" connection	I_L	125 A	125 A
Lightning impulse current (10/350 μ s)	I_{imp}	25 kA	25 kA
Nominal discharge current (8/20 μ s)	I_n	30 kA	30 kA
Maximum discharge current (8/20 μ s)	I_{max}	60 kA	60 kA
Voltage protection level	U_p	1,5 kV	1,5 kV
Short-circuit current rating	I_{SCCR}	50 kA	50 kA
Maximum overcurrent protection		250 A gL/gG	250 A gL/gG
Maximum overcurrent protection for "V" connection		125 A gL/gG	125 A gL/gG
Response time	t_a	100 ns	100 ns
Cross-section of connected conductors solid (min/max)		2,5 mm ² / 50 mm ²	2,5 mm ² / 50 mm ²
Cross-section of connected conductors stranded (min/max)		2,5 mm ² / 35 mm ²	2,5 mm ² / 35 mm ²
Fault indication		red indication field	red indication field
Remote indication		-	potential-free change-over contact
Remote indication contacts		-	250 V / 0,5 A AC, 250 V / 0,1 A DC
Cross-section of remote indication conductors		-	1,5 mm ²
Degree of protection		IP 20	IP 20
Range of operating temperatures (min/max)		-40 °C / 80 °C	-40 °C / 80 °C
Mounting		DIN rail 35 mm	DIN rail 35 mm
According to standard		EN 61643-11:2012, IEC 61643-11:2011 / T1,T2	EN 61643-11:2012, IEC 61643-11:2011 / T1,T2
Ordering number		A05094	A03571

Spare module	FLP-B+C MAXI V/0	FLP-B+C MAXI V/0
Ordering number	A03535	A03535

FLP-B+C MAXI V(S)/3+1

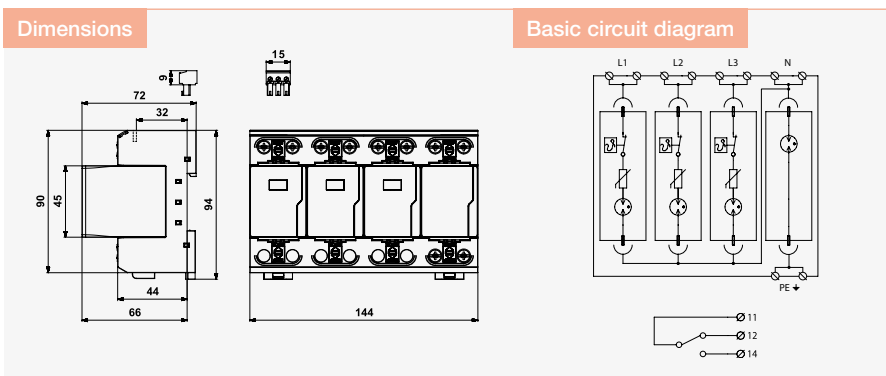
SPD Type 1 and Type 2 – Lightning Current Arrester and Surge Arrester
pluggable module, visual fault signalling, module locking

- combination of three-pole high performance lightning current arrester and encapsulated efficiency spark gap, connected in the 3-1 mode
- installation at the boundary of zones

- LPZ 0 and LPZ 1 or higher, mainly to main distribution boards
- for protection against impact of direct or indirect lightning strikes in wide range of applications – houses, office

- or industrial buildings, resp. to sub-distribution boards in large buildings
- optional remote fault signalling (S)
- no leakage current

LV power systems
up to 1000 V



Parameter / Type		FLP-B+C MAXI V/3+1	FLP-B+C MAXI VS/3+1
Nominal voltage	U_n	230 V AC	230 V AC
Maximum operating voltage L-N	U_c	260 V AC	260 V AC
Maximum operating voltage N-PE	U_c	255 V AC	255 V AC
Nominal load current for "V" connection	I_L	125 A	125 A
Lightning impulse current (10/350 μ s) L-N	I_{imp}	25 kA	25 kA
Lightning impulse current (10/350 μ s) N-PE	I_{imp}	100 kA	100 kA
Nominal discharge current (8/20 μ s) L-N	I_n	30 kA	30 kA
Nominal discharge current (8/20 μ s) N-PE	I_n	100 kA	100 kA
Maximum discharge current (8/20 μ s) L-N	I_{max}	60 kA	60 kA
Maximum discharge current (8/20 μ s) N-PE	I_{max}	100 kA	100 kA
Voltage protection level mode L-N	U_p	1,5 kV	1,5 kV
Voltage protection level mode N-PE	U_p	1,5 kV	1,5 kV
Voltage protection level mode L-PE	U_p	2,2 kV	2,2 kV
Short-circuit current rating	I_{SCCR}	50 kA	50 kA
Maximum overcurrent protection		250 A gL/gG	250 A gL/gG
Maximum overcurrent protection for "V" connection		125 A gL/gG	125 A gL/gG
Response time L-N	t_a	100 ns	100 ns
Response time N-PE	t_a	100 ns	100 ns
Cross-section of connected conductors solid (min/max)		2,5 mm ² / 50 mm ²	2,5 mm ² / 50 mm ²
Cross-section of connected conductors stranded (min/max)		2,5 mm ² / 35 mm ²	2,5 mm ² / 35 mm ²
Fault indication L-N		red indication field	red indication field
Fault indication N-PE		no	no
Remote indication		-	potential-free change-over contact
Remote indication contacts		-	250 V / 0,5 A AC, 250 V / 0,1 A DC
Cross-section of remote indication conductors		-	1,5 mm ²
Degree of protection		IP 20	IP 20
Range of operating temperatures (min/max)		-40 °C / 80 °C	-40 °C / 80 °C
Mounting		DIN rail 35 mm	DIN rail 35 mm
According to standard		EN 61643-11:2012, IEC 61643-11:2011 / T1,T2	EN 61643-11:2012, IEC 61643-11:2011 / T1,T2
Ordering number		A05096	A03572

Spare module	FLP-B+C MAXI V/0	FLP-A100N V/0	FLP-B+C MAXI V/0	FLP-A100N V/0
Ordering number	A03535	A03536	A03535	A03536

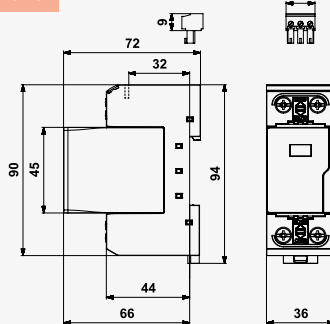
FLP-B+C MAXI150 V(S)/1

SPD Type 1 and Type 2 – Lightning Current Arrester and Surge Arrester
pluggable module, visual fault signalling, module locking

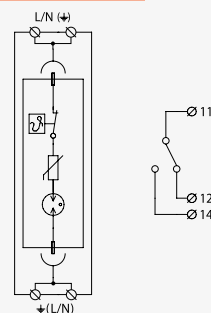
- high performance lightning current arrester
- installation at the boundary of zones LPZ 0 and LPZ 1 or higher, mainly to main distribution boards
- for protection against impact of direct or indirect lightning strikes in wide range of applications – houses, office or industrial buildings, resp. to sub-distribution boards in large buildings
- optional remote fault signalling (S)
- no follow current, no leakage current



Dimensions



Basic circuit diagram



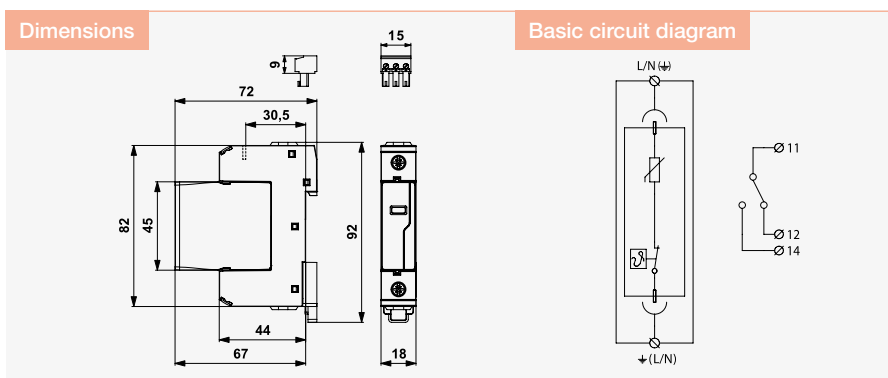
Parameter / Type		FLP-B+C MAXI150 V/1	FLP-B+C MAXI150 VS/1
Nominal voltage	U_n	120 V AC	120 V AC
Maximum operating voltage	U_c	150 V AC	150 V AC
Nominal load current for "V" connection	I_L	125 A	125 A
Lightning impulse current (10/350 μ s)	I_{imp}	25 kA	25 kA
Nominal discharge current (8/20 μ s)	I_n	30 kA	30 kA
Maximum discharge current (8/20 μ s)	I_{max}	60 kA	60 kA
Voltage protection level	U_p	1,5 kV	1,5 kV
Short-circuit current rating	I_{SCCR}	50 kA	50 kA
Maximum overcurrent protection		250 A gL/gG	250 A gL/gG
Maximum overcurrent protection for "V" connection		125 A gL/gG	125 A gL/gG
Response time	t_a	100 ns	100 ns
Cross-section of connected conductors solid (min/max)		2,5 mm ² / 50 mm ²	2,5 mm ² / 50 mm ²
Cross-section of connected conductors stranded (min/max)		2,5 mm ² / 35 mm ²	2,5 mm ² / 35 mm ²
Fault indication		red indication field	red indication field
Remote indication		-	potential-free change-over contact
Remote indication contacts		-	250 V / 0,5 A AC, 250 V / 0,1 A DC
Cross-section of remote indication conductors		-	1,5 mm ²
Degree of protection		IP 20	IP 20
Range of operating temperatures (min/max)		-40 °C / 80 °C	-40 °C / 80 °C
Mounting		DIN rail 35 mm	DIN rail 35 mm
According to standard		EN 61643-11:2012, IEC 61643-11:2011 / T1,T2	EN 61643-11:2012, IEC 61643-11:2011 / T1,T2
Ordering number		A05834	A05835

Spare module	FLP-B+C MAXI150 V/0	FLP-B+C MAXI150 V/0
Ordering number	A05839	A05839

FLP-12,5 V/1 (S)

SPD Type 1 and Type 2 – Lightning Current Arrester and Surge Arrester
pluggable module, visual fault signalling

- varistor lightning current arrester
- installation at the boundary of zones LPZ 0 and LPZ 1 or higher, for objects in LPL III and IV
- for protection against impact of partial lightning currents, induced overvoltages during a lightning strike or switching overvoltages
- optional remote fault signalling (S)



Parameter/Type		FLP-12,5 V/1	FLP-12,5 V/1 S
Nominal voltage	U_n	230 V AC	230 V AC
Maximum operating voltage	U_c	275 V AC / 350 V DC	275 V AC / 350 V DC
Lightning impulse current (10/350 μ s)	I_{imp}	12,5 kA	12,5 kA
Nominal discharge current (8/20 μ s)	I_n	30 kA	30 kA
Maximum discharge current (8/20 μ s)	I_{max}	60 kA	60 kA
Voltage protection level at 5 kA	U_p	0,9 kV	0,9 kV
Voltage protection level	U_p	1,5 kV	1,5 kV
Short-circuit current rating	I_{SCCR}	50 kA	50 kA
Maximum overcurrent protection		160 A gL/gG	160 A gL/gG
Response time	t_a	25 ns	25 ns
Cross-section of connected conductors solid (min/max)		1 mm ² / 35 mm ²	1 mm ² / 35 mm ²
Cross-section of connected conductors stranded (min/max)		1 mm ² / 25 mm ²	1 mm ² / 25 mm ²
Fault indication		red indication field	red indication field
Remote indication		-	potential-free change-over contact
Remote indication contacts		-	250 V / 0,5 A AC, 250 V / 0,1 A DC
Cross-section of remote indication conductors		-	1,5 mm ²
Degree of protection		IP 20	IP 20
Range of operating temperatures (min/max)		-40 °C / 80 °C	-40 °C / 80 °C
Mounting		DIN rail 35 mm	DIN rail 35 mm
According to standard		EN 61643-11:2012, IEC 61643-11:2011 / T1,T2	EN 61643-11:2012, IEC 61643-11:2011 / T1,T2
Ordering number		A03421	A03422

Spare module	FLP-12,5 V/0	FLP-12,5 V/0
Ordering number	A03431	A03431

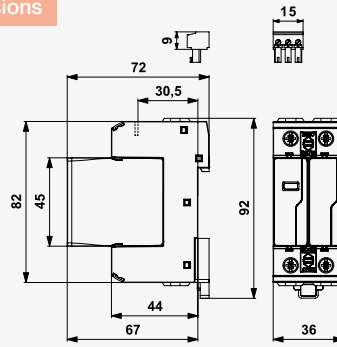
FLP-12,5 V/1(S)+1

SPD Type 1 and Type 2 – Lightning Current Arrester and Surge Arrester
pluggable module, visual fault signalling, module locking

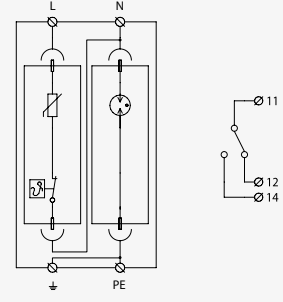
- combination of varistor lightning current arrester and encapsulated efficiency spark gap, connected in the 1+1 mode
- installation at the boundary of zones LPZ 0 and LPZ 1 or higher, for objects in LPL III and IV
- for protection against impact of partial lightning currents, induced overvoltages during a lightning strike or switching overvoltages
- optional remote fault signalling (S)



Dimensions



Basic circuit diagram



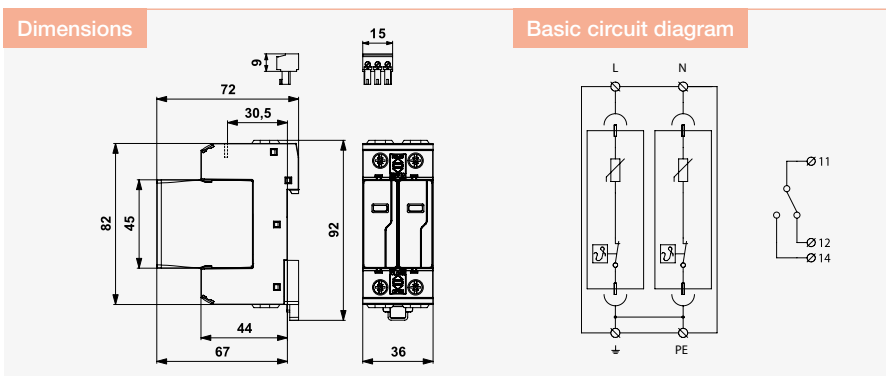
Parameter / Type		FLP-12,5 V/1+1	FLP-12,5 V/1S+1
Nominal voltage	U_n	230 V AC	230 V AC
Maximum operating voltage L-N	U_c	275 V AC	275 V AC
Maximum operating voltage N-PE	U_c	255 V AC	255 V AC
Lightning impulse current (10/350 μ s) L-N	I_{imp}	12,5 kA	12,5 kA
Lightning impulse current (10/350 μ s) N-PE	I_{imp}	25 kA	25 kA
Nominal discharge current (8/20 μ s) L-N	I_n	30 kA	30 kA
Nominal discharge current (8/20 μ s) N-PE	I_n	30 kA	30 kA
Maximum discharge current (8/20 μ s) L-N	I_{max}	60 kA	60 kA
Maximum discharge current (8/20 μ s) N-PE	I_{max}	60 kA	60 kA
Voltage protection level at 5 kA L-N	U_p	0,9 kV	0,9 kV
Voltage protection level mode L-N	U_p	1,5 kV	1,5 kV
Voltage protection level mode N-PE	U_p	1,5 kV	1,5 kV
Voltage protection level mode L-PE	U_p	1,5 kV	1,5 kV
Short-circuit current rating	I_{SCCR}	50 kA	50 kA
Maximum overcurrent protection		160 A gL/gG	160 A gL/gG
Response time L-N	t_a	25 ns	25 ns
Response time N-PE	t_a	100 ns	100 ns
Cross-section of connected conductors solid (min/max)		1 mm ² / 35 mm ²	1 mm ² / 35 mm ²
Cross-section of connected conductors stranded (min/max)		1 mm ² / 25 mm ²	1 mm ² / 25 mm ²
Fault indication L-N		red indication field	red indication field
Remote indication		-	potential-free change-over contact
Remote indication contacts		-	250 V / 0,5 A AC, 250 V / 0,1 A DC
Cross-section of remote indication conductors		-	1,5 mm ²
Degree of protection		IP 20	IP 20
Range of operating temperatures (min/max)		-40 °C / 80 °C	-40 °C / 80 °C
Mounting		DIN rail 35 mm	DIN rail 35 mm
According to standard		EN 61643-11:2012, IEC 61643-11:2011 / T1,T2	EN 61643-11:2012, IEC 61643-11:2011 / T1,T2
Ordering number		A03423	A03424

Spare module	FLP-12,5 V/0	FLP-NPE 25 V/0	FLP-12,5 V/0	FLP-NPE 25 V/0
Ordering number	A03431	A03432	A03431	A03432

FLP-12,5 V/2 (S)

SPD Type 1 and Type 2 – Lightning Current Arrester and Surge Arrester
pluggable module, visual fault signalling, module locking

- two-pole varistor lightning current arrester
- installation at the boundary of zones LPZ 0 and LPZ 1 or higher, for objects in LPL III and IV
- for protection against impact of partial lightning currents, induced overvoltages during a lightning strike or switching overvoltages
- optional remote fault signalling (S)



Parameter / Type		FLP-12,5 V/2	FLP-12,5 V/2 S
Nominal voltage	U_n	230 V AC	230 V AC
Maximum operating voltage	U_c	275 V AC / 350 V DC	275 V AC / 350 V DC
Lightning impulse current (10/350 μ s)	I_{imp}	12,5 kA	12,5 kA
Nominal discharge current (8/20 μ s)	I_n	30 kA	30 kA
Maximum discharge current (8/20 μ s)	I_{max}	60 kA	60 kA
Voltage protection level at 5 kA	U_p	0,9 kV	0,9 kV
Voltage protection level	U_p	1,5 kV	1,5 kV
Short-circuit current rating	I_{SCCR}	50 kA	50 kA
Maximum overcurrent protection		160 A gL/gG	160 A gL/gG
Response time	t_a	25 ns	25 ns
Cross-section of connected conductors solid (min/max)		1 mm ² / 35 mm ²	1 mm ² / 35 mm ²
Cross-section of connected conductors stranded (min/max)		1 mm ² / 25 mm ²	1 mm ² / 25 mm ²
Fault indication		red indication field	red indication field
Remote indication		-	potential-free change-over contact
Remote indication contacts		-	250 V / 0,5 A AC, 250 V / 0,1 A DC
Cross-section of remote indication conductors		-	1,5 mm ²
Degree of protection		IP 20	IP 20
Range of operating temperatures (min/max)		-40 °C / 80 °C	-40 °C / 80 °C
Mounting		DIN rail 35 mm	DIN rail 35 mm
According to standard		EN 61643-11:2012, IEC 61643-11:2011 / T1,T2	EN 61643-11:2012, IEC 61643-11:2011 / T1,T2
Ordering number		A03809	A05182

Spare module	FLP-12,5 V/0	FLP-12,5 V/0
Ordering number	A03431	A03431

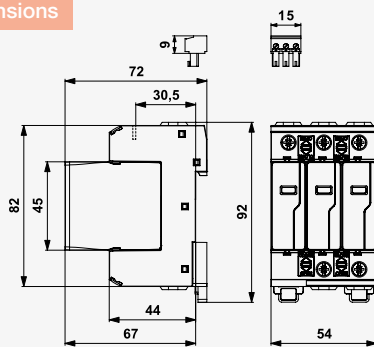
FLP-12,5 V/3 (S)

SPD Type 1 and Type 2 – Lightning Current Arrester and Surge Arrester
pluggable module, visual fault signalling, module locking

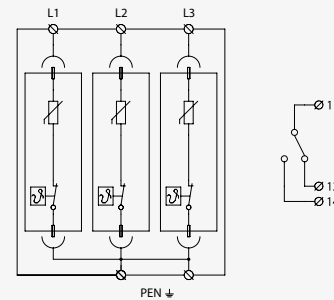
- three-pole varistor lightning current arrester
- installation at the boundary of zones LPZ 0 and LPZ 1 or higher, for objects in LPL III and IV
- for protection against impact of partial lightning currents, induced overvoltages during a lightning strike or switching overvoltages
- optional remote fault signalling (S)



Dimensions



Basic circuit diagram



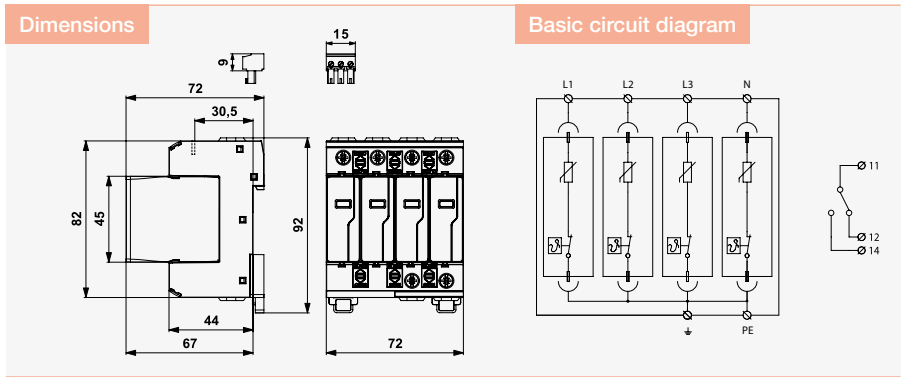
Parameter / Type		FLP-12,5 V/3	FLP-12,5 V/3 S
Nominal voltage	U_n	230 V AC	230 V AC
Maximum operating voltage	U_c	275 V AC / 350 V DC	275 V AC / 350 V DC
Lightning impulse current (10/350 μ s)	I_{imp}	12,5 kA	12,5 kA
Nominal discharge current (8/20 μ s)	I_n	30 kA	30 kA
Maximum discharge current (8/20 μ s)	I_{max}	60 kA	60 kA
Voltage protection level at 5 kA	U_p	0,9 kV	0,9 kV
Voltage protection level	U_p	1,5 kV	1,5 kV
Short-circuit current rating	I_{SCCR}	50 kA	50 kA
Maximum overcurrent protection		160 A gL/gG	160 A gL/gG
Response time	t_a	25 ns	25 ns
Cross-section of connected conductors solid (min/max)		1 mm ² / 35 mm ²	1 mm ² / 35 mm ²
Cross-section of connected conductors stranded (min/max)		1 mm ² / 25 mm ²	1 mm ² / 25 mm ²
Fault indication		red indication field	red indication field
Remote indication		-	potential-free change-over contact
Remote indication contacts		-	250 V / 0,5 A AC, 250 V / 0,1 A DC
Cross-section of remote indication conductors		-	1,5 mm ²
Degree of protection		IP 20	IP 20
Range of operating temperatures (min/max)		-40 °C / 80 °C	-40 °C / 80 °C
Mounting		DIN rail 35 mm	DIN rail 35 mm
According to standard		EN 61643-11:2012, IEC 61643-11:2011 / T1,T2	EN 61643-11:2012, IEC 61643-11:2011 / T1,T2
Ordering number		A03425	A03426

Spare module	FLP-12,5 V/0	FLP-12,5 V/0
Ordering number	A03431	A03431

FLP-12,5 V/4 (S)

SPD Type 1 and Type 2 – Lightning Current Arrester and Surge Arrester
 pluggable module, visual fault signalling, module locking

- four-pole varistor lightning current arrester
- installation at the boundary of zones LPZ 0 and LPZ 1 or higher, for objects in LPL III and IV
- for protection against impact of partial lightning currents, induced overvoltages during a lightning strike or switching overvoltages
- optional remote fault signalling (S)



Parameter / Type		FLP-12,5 V/4	FLP-12,5 V/4 S
Nominal voltage	U_n	230 V AC	230 V AC
Maximum operating voltage	U_c	275 V AC / 350 V DC	275 V AC / 350 V DC
Lightning impulse current (10/350 μ s)	I_{imp}	12,5 kA	12,5 kA
Nominal discharge current (8/20 μ s)	I_n	30 kA	30 kA
Maximum discharge current (8/20 μ s)	I_{max}	60 kA	60 kA
Voltage protection level at 5 kA	U_p	0,9 kV	0,9 kV
Voltage protection level	U_p	1,5 kV	1,5 kV
Short-circuit current rating	I_{SCCR}	50 kA	50 kA
Maximum overcurrent protection		160 A gL/gG	160 A gL/gG
Response time	t_a	25 ns	25 ns
Cross-section of connected conductors solid (min/max)		1 mm ² / 35 mm ²	1 mm ² / 35 mm ²
Cross-section of connected conductors stranded (min/max)		1 mm ² / 25 mm ²	1 mm ² / 25 mm ²
Fault indication		red indication field	red indication field
Remote indication		-	potential-free change-over contact
Remote indication contacts		-	250 V / 0,5 A AC, 250 V / 0,1 A DC
Cross-section of remote indication conductors		-	1,5 mm ²
Degree of protection		IP 20	IP 20
Range of operating temperatures (min/max)		-40 °C / 80 °C	-40 °C / 80 °C
Mounting		DIN rail 35 mm	DIN rail 35 mm
According to standard		EN 61643-11:2012, IEC 61643-11:2011 / T1,T2	EN 61643-11:2012, IEC 61643-11:2011 / T1,T2
Ordering number		A03429	A03430

Spare module	FLP-12,5 V/0	FLP-12,5 V/0
Ordering number	A03431	A03431

LV power systems up to 1000 V

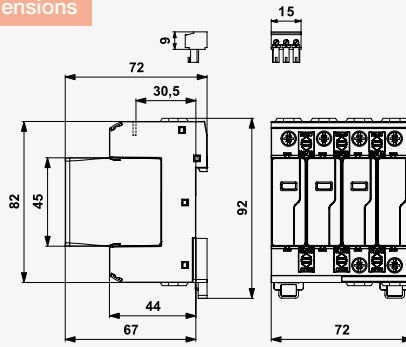
FLP-12,5 V/3(S)+1

SPD Type 1 and Type 2 – Lightning Current Arrester and Surge Arrester
pluggable module, visual fault signalling, module locking

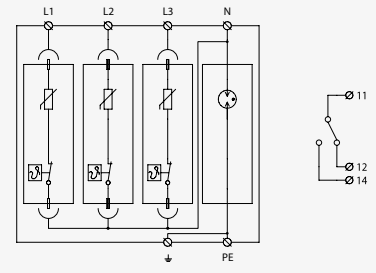
- combination of varistor lightning current arrester and encapsulated efficiency spark gap, connected in the 3+1 mode
- installation at the boundary of zones LPZ 0 and LPZ 1 or higher, for objects in LPL III and IV
- for protection against impact of partial lightning currents, induced overvoltages during a lightning strike or switching overvoltages
- optional remote fault signalling (S)



Dimensions



Basic circuit diagram



Parameter / Type		FLP-12,5 V/3+1	FLP-12,5 V/3S+1
Nominal voltage	U_n	230 V AC	230 V AC
Maximum operating voltage L-N	U_c	275 V AC	275 V AC
Maximum operating voltage N-PE	U_c	255 V AC	255 V AC
Lightning impulse current (10/350 μ s) L-N	I_{imp}	12,5 kA	12,5 kA
Lightning impulse current (10/350 μ s) N-PE	I_{imp}	50 kA	50 kA
Nominal discharge current (8/20 μ s) L-N	I_n	30 kA	30 kA
Nominal discharge current (8/20 μ s) N-PE	I_n	50 kA	50 kA
Maximum discharge current (8/20 μ s) L-N	I_{max}	60 kA	60 kA
Maximum discharge current (8/20 μ s) N-PE	I_{max}	100 kA	100 kA
Voltage protection level at 5 kA L-N	U_p	0,9 kV	0,9 kV
Voltage protection level mode L-N	U_p	1,5 kV	1,5 kV
Voltage protection level mode N-PE	U_p	1,5 kV	1,5 kV
Voltage protection level mode L-PE	U_p	1,5 kV	1,5 kV
Short-circuit current rating	I_{SCCR}	50 kA	50 kA
Maximum overcurrent protection		160 A gL/gG	160 A gL/gG
Response time L-N	t_a	25 ns	25 ns
Response time N-PE	t_a	100 ns	100 ns
Cross-section of connected conductors solid (min/max)		1 mm ² / 35 mm ²	1 mm ² / 35 mm ²
Cross-section of connected conductors stranded (min/max)		1 mm ² / 25 mm ²	1 mm ² / 25 mm ²
Fault indication L-N		red indication field	red indication field
Remote indication		-	potential-free change-over contact
Remote indication contacts		-	250 V / 0,5 A AC, 250 V / 0,1 A DC
Cross-section of remote indication conductors		-	1,5 mm ²
Degree of protection		IP 20	IP 20
Range of operating temperatures (min/max)		-40 °C / 80 °C	-40 °C / 80 °C
Mounting		DIN rail 35 mm	DIN rail 35 mm
According to standard		EN 61643-11:2012, IEC 61643-11:2011 / T1,T2	EN 61643-11:2012, IEC 61643-11:2011 / T1,T2
Ordering number		A03427	A03428

Spare module	FLP-12,5 V/0	FLP-12,5 V/0
Ordering number	A03431	A03431

FLP-...V/0

Spare modules for Lightning Current Arresters
SPDs Type 1 and Type 1 and 2

LV power systems
up to 1000 V

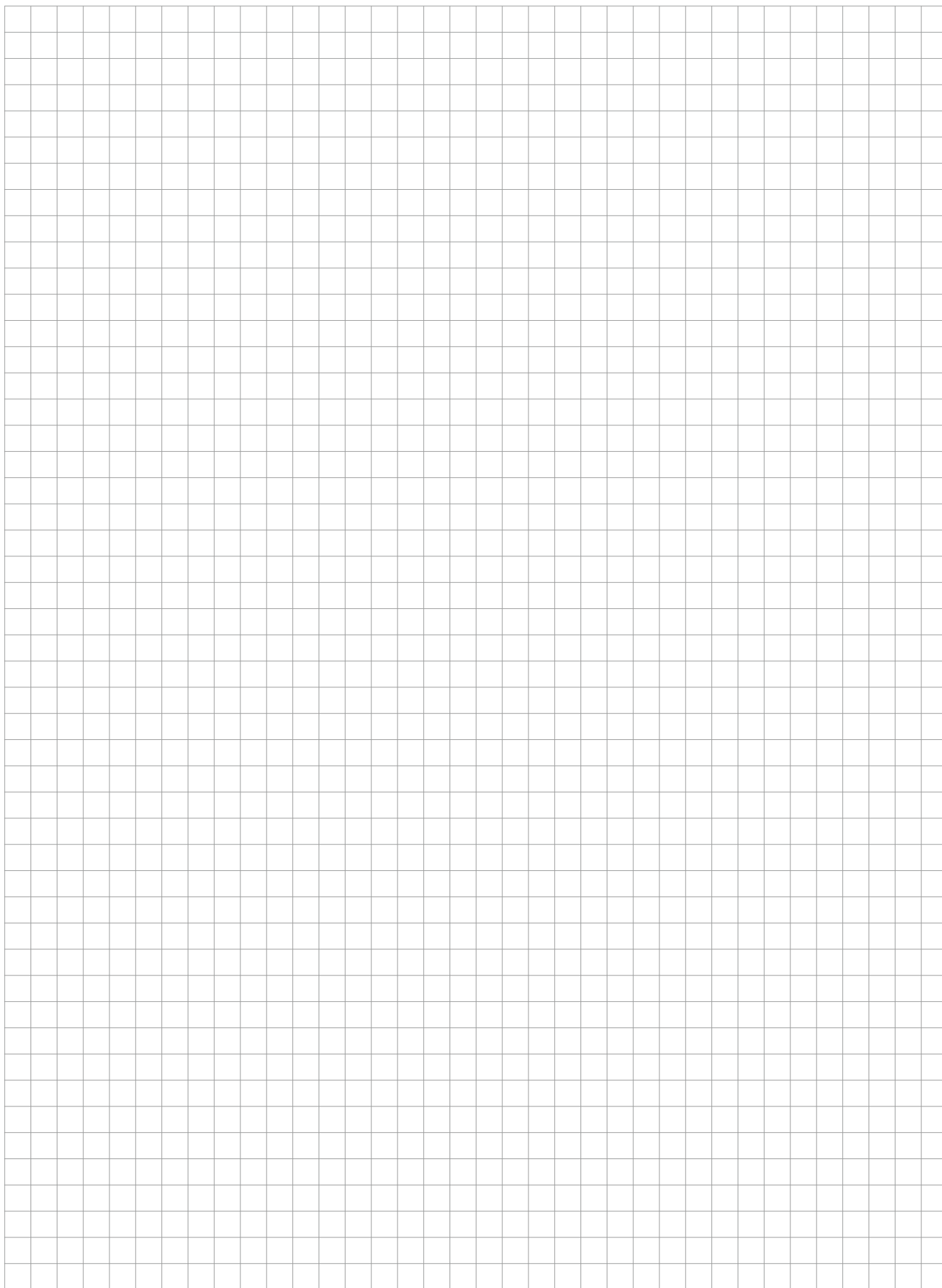


Dimensions	Basic circuit diagram
<p>FLP-12,5 V/0 FLP-NPE 25 V/0</p>	<p>FLP-12,5 V/0 FLP-NPE 25 V/0</p>
<p>FLP-SG50 V/0 FLP-SG50 VS/0 FLP-25-T1-V/0 FLP-B+C MAXI V/0 FLP-B+C MAXI150 V/0 FLP-A50N V/0 FLP-A100N V/0</p>	<p>FLP-SG50 V/0 FLP-SG50 VS/0 FLP-A50N V/0 FLP-A100N V/0</p> <p>FLP-25-T1-V/0 FLP-B+C MAXI V/0 FLP-B+C MAXI150 V/0</p>

Type	Ordering number
FLP-SG50 V/0	A04227
FLP-SG50 VS/0	A04148
FLP-25-T1-V/0	A05453
FLP-A50N V/0	A03537
FLP-A100N V/0	A03536
FLP-B+C MAXI V/0	A03535
FLP-B+C MAXI150 V/0	A05839
FLP-12,5 V/0	A03431
FLP-NPE 25 V/0	A03432

Notes

LV power systems
up to 1 000 V



SPDs connected to LV power supply systems up to 1 000 V

LV power systems
up to 1 000 V

Surge Arresters SPDs Type 2



- Surge Arresters, SPDs Type 2
- Suitable for TN, TT, IT networks
- Installation mainly to sub-distribution boards

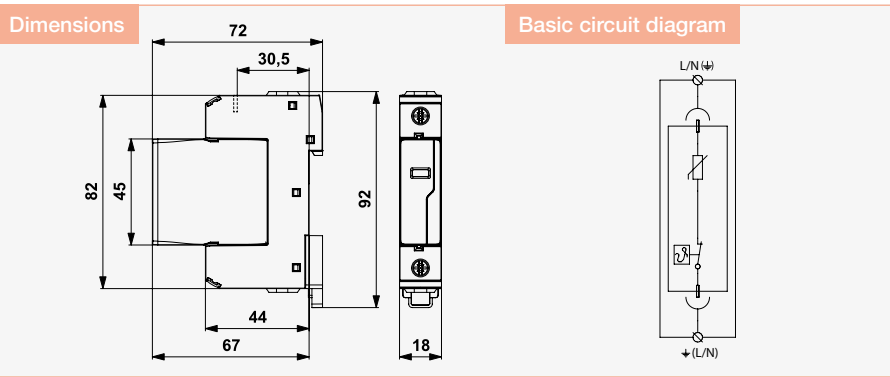
- Line SLP-... V
- Line SLP-... VB

SLP-... V/1

SPD Type 2 – Surge Arrester

pluggable module, visual fault signalling

- varistor surge arrester
- installation to LV installations, especially to sub-distribution boards
- for protection of the installations and equipments against impact of induced overvoltages during a lightning strike or switching overvoltages



Parameter / Type		SLP-075 V/1	SLP-150 V/1	SLP-275 V/1	SLP-385 V/1	SLP-440 V/1	SLP-600 V/1
Nominal voltage	U_n	60 V AC	120 V AC	230 V AC	-	400 V AC	230 ÷ 690 V AC
Maximum operating voltage of varistor		-	-	-	-	-	880 V AC
Maximum operating voltage	U_c	75 V AC / 100 V DC	150 V AC / 200 V DC	275 V AC / 350 V DC	385 V AC / 500 V DC	440 V AC / 585 V DC	760 V AC
Nominal discharge current (8/20 μ s)	I_n	15 kA	15 kA	20 kA	20 kA	20 kA	15 kA
Maximum discharge current (8/20 μ s)	I_{max}	40 kA	40 kA	40 kA	40 kA	40 kA	40 kA
Voltage protection level at 5 kA	U_p	0,3 kV	0,45 kV	0,9 kV	1,3 kV	1,5 kV	2,7 kV
Voltage protection level	U_p	0,4 kV	0,7 kV	1,35 kV	1,8 kV	1,9 kV	3,2 kV
Short-circuit current rating	I_{SCCR}	50 kA	50 kA	50 kA	50 kA	25 kA	25 kA
Maximum overcurrent protection		160 A gL/gG	160 A gL/gG	160 A gL/gG	160 A gL/gG	125 A gL/gG	100 A gL/gG
Response time	t_a	25 ns	25 ns	25 ns	25 ns	25 ns	25 ns
Cross-section of connected conductors solid (min/max)		1 mm ² / 35 mm ²	1 mm ² / 35 mm ²	1 mm ² / 35 mm ²	1 mm ² / 35 mm ²	1 mm ² / 35 mm ²	1 mm ² / 35 mm ²
Cross-section of connected conductors stranded (min/max)		1 mm ² / 25 mm ²	1 mm ² / 25 mm ²	1 mm ² / 25 mm ²	1 mm ² / 25 mm ²	1 mm ² / 25 mm ²	1 mm ² / 25 mm ²
Fault indication		red indication field	red indication field	red indication field	red indication field	red indication field	red indication field
Degree of protection		IP 20	IP 20	IP 20	IP 20	IP 20	IP 20
Range of operating temperatures (min/max)		-40 °C / 80 °C	-40 °C / 80 °C	-40 °C / 80 °C	-40 °C / 80 °C	-40 °C / 80 °C	-40 °C / 80 °C
Mounting		DIN rail 35 mm	DIN rail 35 mm	DIN rail 35 mm	DIN rail 35 mm	DIN rail 35 mm	DIN rail 35 mm
According to standard		EN 61643-11:2012, IEC 61643-11:2011 / T2					
Ordering number		A01815	A05185	A01617	A01955	A01817	A03301

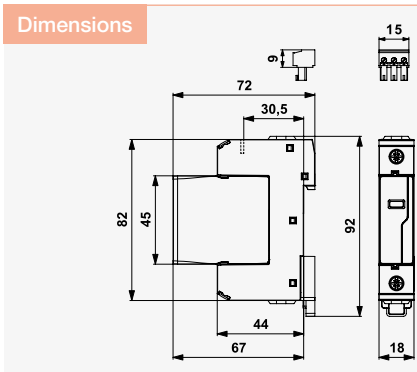
Spare module	SLP-075 V/0	SLP-150 V/0	SLP-275 V/0	SLP-385 V/0	SLP-440 V/0	SLP-600 V/0
Ordering number	A01811	A05193	A02368	A01950	A01813	A03303

SLP-... V/1 S

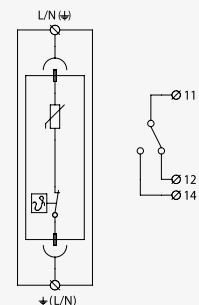
SPD Type 2 – Surge Arrester

pluggable module, visual fault signalling, remote fault signalling

- varistor surge arrester
- installation to LV installations, especially to sub-distribution boards
- for protection of the installations and equipments against impact of induced overvoltages during a lightning strike or switching overvoltages
- remote fault signalling (S)



Basic circuit diagram



Parameter / Type		SLP-075 V/1 S	SLP-150 V/1 S	SLP-275 V/1 S	SLP-385 V/1 S	SLP-440 V/1 S	SLP-600 V/1 S
Nominal voltage	U_n	60 V AC	120 V AC	230 V AC		400 V AC	230 ÷ 690 V AC
Maximum operating voltage of varistor							880 V AC
Maximum operating voltage	U_c	75 V AC / 100 V DC	150 V AC / 200 V DC	275 V AC / 350 V DC	385 V AC / 500 V DC	440 V AC / 585 V DC	760 V AC
Nominal discharge current (8/20 μ s)	I_n	15 kA	15 kA	20 kA	20 kA	20 kA	15 kA
Maximum discharge current (8/20 μ s)	I_{max}	40 kA	40 kA	40 kA	40 kA	40 kA	40 kA
Voltage protection level at 5 kA	U_p	0,3 kV	0,45 kV	0,9 kV	1,3 kV	1,5 kV	2,7 kV
Voltage protection level	U_p	0,4 kV	0,7 kV	1,35 kV	1,8 kV	1,9 kV	3,2 kV
Short-circuit current rating	I_{SCCR}	50 kA	50 kA	50 kA	50 kA	25 kA	25 kA
Maximum overcurrent protection		160 A gL/gG	160 A gL/gG	160 A gL/gG	160 A gL/gG	125 A gL/gG	100 A gL/gG
Response time	t_a	25 ns	25 ns	25 ns	25 ns	25 ns	25 ns
Cross-section of connected conductors solid (min/max)		1 mm ² / 35 mm ²	1 mm ² / 35 mm ²	1 mm ² / 35 mm ²	1 mm ² / 35 mm ²	1 mm ² / 35 mm ²	1 mm ² / 35 mm ²
Cross-section of connected conductors stranded (min/max)		1 mm ² / 25 mm ²	1 mm ² / 25 mm ²	1 mm ² / 25 mm ²	1 mm ² / 25 mm ²	1 mm ² / 25 mm ²	1 mm ² / 25 mm ²
Fault indication		red indication field	red indication field	red indication field	red indication field	red indication field	red indication field
Remote indication		potential-free change-over contact	potential-free change-over contact	potential-free change-over contact	potential-free change-over contact	potential-free change-over contact	potential-free change-over contact
Remote indication contacts		250 V / 0,5 A AC, 250 V / 0,1 A DC	250 V / 0,5 A AC, 250 V / 0,1 A DC	250 V / 0,5 A AC, 250 V / 0,1 A DC	250 V / 0,5 A AC, 250 V / 0,1 A DC	250 V / 0,5 A AC, 250 V / 0,1 A DC	250 V / 0,5 A AC, 250 V / 0,1 A DC
Cross-section of remote indication conductors		1,5 mm ²	1,5 mm ²	1,5 mm ²	1,5 mm ²	1,5 mm ²	1,5 mm ²
Degree of protection		IP 20	IP 20	IP 20	IP 20	IP 20	IP 20
Range of operating temperatures (min/max)		-40 °C / 80 °C	-40 °C / 80 °C	-40 °C / 80 °C	-40 °C / 80 °C	-40 °C / 80 °C	-40 °C / 80 °C
Mounting		DIN rail 35 mm	DIN rail 35 mm	DIN rail 35 mm	DIN rail 35 mm	DIN rail 35 mm	DIN rail 35 mm
According to standard		EN 61643-11:2012, IEC 61643-11:2011 / T2					
Ordering number		A01823	A05186	A01618	A02771	A01825	A03302

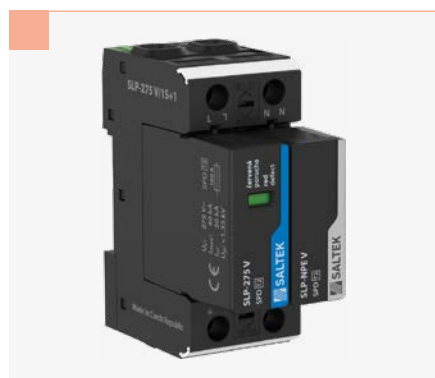
Spare module	SLP-075 V/0	SLP-150 V/0	SLP-275 V/0	SLP-385 V/0	SLP-440 V/0	SLP-600 V/0
Ordering number	A01811	A05193	A02368	A01950	A01813	A03303

SLP-275 V/1(S)+1

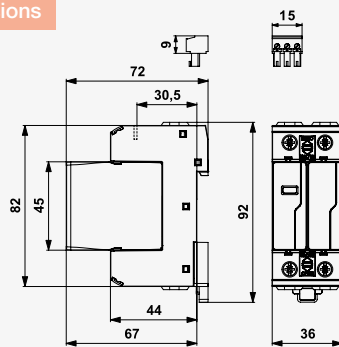
SPD Type 2 – Surge Arrester

pluggable module, visual fault signalling, module locking

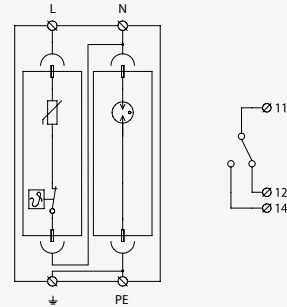
- combination of varistor surge arrester and encapsulated spark gap, connected in the 1+1 mode
- installation to LV installations, especially to sub-distribution boards in TT and also TN-S systems
- for protection of the installations and equipments against impact of induced overvoltages during a lightning strike or switching overvoltages
- optional remote fault signalling (S)



Dimensions



Basic circuit diagram



Parameter / Type		SLP-275 V/1+1	SLP-275 V/1S+1
Nominal voltage	U_n	230 V AC	230 V AC
Maximum operating voltage L-N	U_c	275 V AC	275 V AC
Maximum operating voltage N-PE	U_c	255 V AC	255 V AC
Nominal discharge current (8/20 μ s) L-N	I_n	20 kA	20 kA
Nominal discharge current (8/20 μ s) N-PE	I_n	20 kA	20 kA
Maximum discharge current (8/20 μ s) L-N	I_{max}	40 kA	40 kA
Maximum discharge current (8/20 μ s) N-PE	I_{max}	40 kA	40 kA
Voltage protection level at 5 kA L-N	U_p	0,9 kV	0,9 kV
Voltage protection level mode L-N	U_p	1,35 kV	1,35 kV
Voltage protection level mode N-PE	U_p	1,5 kV	1,5 kV
Voltage protection level mode L-PE	U_p	1,5 kV	1,5 kV
Ability to independently switch off the following current N-PE	I_f	0,1 kA	0,1 kA
Short-circuit current rating	I_{SCCR}	50 kA	50 kA
Maximum overcurrent protection		160 A gL/gG	160 A gL/gG
Response time L-N	t_a	25 ns	25 ns
Response time N-PE	t_a	100 ns	100 ns
Cross-section of connected conductors solid (min/max)		1 mm ² / 35 mm ²	1 mm ² / 35 mm ²
Cross-section of connected conductors stranded (min/max)		1 mm ² / 25 mm ²	1 mm ² / 25 mm ²
Fault indication L-N		red indication field	red indication field
Fault indication N-PE		no	no
Remote indication		-	potential-free change-over contact
Remote indication contacts		-	250 V / 0,5 A AC, 250 V / 0,1 A DC
Cross-section of remote indication conductors		-	1,5 mm ²
Degree of protection		IP 20	IP 20
Range of operating temperatures (min/max)		-40 °C / 80 °C	-40 °C / 80 °C
Mounting		DIN rail 35 mm	DIN rail 35 mm
According to standard		EN 61643-11:2012, IEC 61643-11:2011 / T2	EN 61643-11:2012, IEC 61643-11:2011 / T2
Ordering number		A01948	A02491

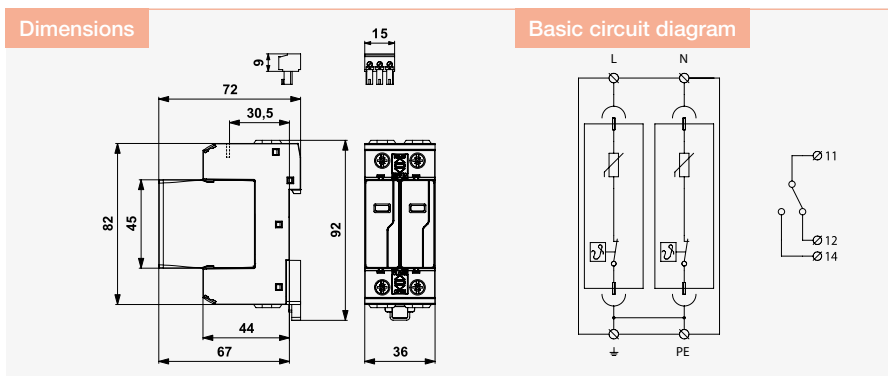
Spare module	SLP-275 V/0	SLP-NPE V/0	SLP-275 V/0	SLP-NPE V/0
Ordering number	A02368	A03722	A02368	A03722

SLP-275 V/2 (S)

SPD Type 2 – Surge Arrester

pluggable module, visual fault signalling, module locking

- two-pole varistor surge arrester
- installation to LV installations, especially to sub-distribution boards in TN-S systems
- for protection of the installations and equipments against impact of induced overvoltages during a lightning strike or switching overvoltages
- optional remote fault signalling (S)



Parameter / Type		SLP-275 V/2	SLP-275 V/2 S
Nominal voltage	U_n	230 V AC	230 V AC
Maximum operating voltage	U_c	275 V AC / 350 V DC	275 V AC / 350 V DC
Nominal discharge current (8/20 μ s)	I_n	20 kA	20 kA
Maximum discharge current (8/20 μ s)	I_{max}	40 kA	40 kA
Voltage protection level at 5 kA	U_p	0,9 kV	0,9 kV
Voltage protection level	U_p	1,35 kV	1,35 kV
Short-circuit current rating	I_{SCCR}	50 kA	50 kA
Maximum overcurrent protection		160 A gL/gG	160 A gL/gG
Response time	t_a	25 ns	25 ns
Cross-section of connected conductors solid (min/max)		1 mm ² / 35 mm ²	1 mm ² / 35 mm ²
Cross-section of connected conductors stranded (min/max)		1 mm ² / 25 mm ²	1 mm ² / 25 mm ²
Fault indication		red indication field	red indication field
Remote indication		-	potential-free change-over contact
Remote indication contacts		-	250 V / 0,5 A AC, 250 V / 0,1 A DC
Cross-section of remote indication conductors		-	1,5 mm ²
Degree of protection		IP 20	IP 20
Range of operating temperatures (min/max)		-40 °C / 80 °C	-40 °C / 80 °C
Mounting		DIN rail 35 mm	DIN rail 35 mm
According to standard		EN 61643-11:2012, IEC 61643-11:2011 / T2	EN 61643-11:2012, IEC 61643-11:2011 / T2
Ordering number		A01619	A05183

Spare module	SLP-275 V/0	SLP-275 V/0
Ordering number	A02368	A02368

LV power systems up to 1000 V

SLP-275 V/3 (S)

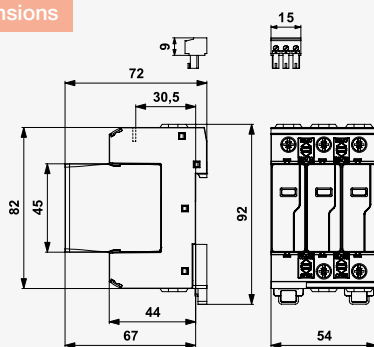
SPD Type 2 – Surge Arrester

pluggable module, visual fault signalling, module locking

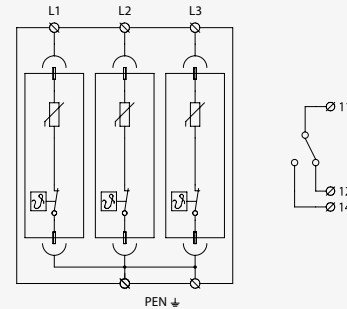
- three-pole varistor surge arrester
- installation to LV installations, especially to sub-distribution boards in TN-C systems
- for protection of the installations and equipments against impact of induced overvoltages during a lightning strike or switching overvoltages
- optional remote fault signalling (S)



Dimensions



Basic circuit diagram



Parameter / Type		SLP-275 V/3	SLP-275 V/3 S
Nominal voltage	U_n	230 V AC	230 V AC
Maximum operating voltage	U_c	275 V AC / 350 V DC	275 V AC / 350 V DC
Nominal discharge current (8/20 μ s)	I_n	20 kA	20 kA
Maximum discharge current (8/20 μ s)	I_{max}	40 kA	40 kA
Voltage protection level at 5 kA	U_p	0,9 kV	0,9 kV
Voltage protection level	U_p	1,35 kV	1,35 kV
Short-circuit current rating	I_{SCCR}	50 kA	50 kA
Maximum overcurrent protection		160 A gL/gG	160 A gL/gG
Response time	t_a	25 ns	25 ns
Cross-section of connected conductors solid (min/max)		1 mm ² / 35 mm ²	1 mm ² / 35 mm ²
Cross-section of connected conductors stranded (min/max)		1 mm ² / 25 mm ²	1 mm ² / 25 mm ²
Fault indication		red indication field	red indication field
Remote indication		-	potential-free change-over contact
Remote indication contacts		-	250 V / 0,5 A AC, 250 V / 0,1 A DC
Cross-section of remote indication conductors		-	1,5 mm ²
Degree of protection		IP 20	IP 20
Range of operating temperatures (min/max)		-40 °C / 80 °C	-40 °C / 80 °C
Mounting		DIN rail 35 mm	DIN rail 35 mm
According to standard		EN 61643-11:2012, IEC 61643-11:2011 / T2	EN 61643-11:2012, IEC 61643-11:2011 / T2
Ordering number		A01760	A01761

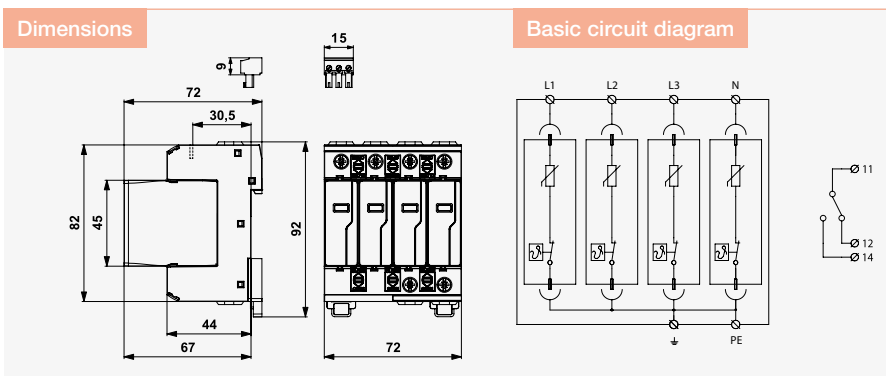
Spare module	SLP-275 V/0	SLP-275 V/0
Ordering number	A02368	A02368

SLP-275 V/4 (S)

SPD Type 2 – Surge Arrester

pluggable module, visual fault signalling, module locking

- four-pole varistor surge arrester
- installation to LV installations, especially to sub-distribution boards in TN-S systems
- for protection of the installations and equipments against impact of induced overvoltages during a lightning strike or switching overvoltages
- optional remote fault signalling (S)



Parameter / Type		SLP-275 V/4	SLP-275 V/4 S
Nominal voltage	U_n	230 V AC	230 V AC
Maximum operating voltage	U_c	275 V AC / 350 V DC	275 V AC / 350 V DC
Nominal discharge current (8/20 μ s)	I_n	20 kA	20 kA
Maximum discharge current (8/20 μ s)	I_{max}	40 kA	40 kA
Voltage protection level at 5 kA	U_p	0,9 kV	0,9 kV
Voltage protection level	U_p	1,35 kV	1,35 kV
Short-circuit current rating	I_{SCCR}	50 kA	50 kA
Maximum overcurrent protection		160 A gL/gG	160 A gL/gG
Response time	t_a	25 ns	25 ns
Cross-section of connected conductors solid (min/max)		1 mm ² / 35 mm ²	1 mm ² / 35 mm ²
Cross-section of connected conductors stranded (min/max)		1 mm ² / 25 mm ²	1 mm ² / 25 mm ²
Fault indication		red indication field	red indication field
Remote indication		-	potential-free change-over contact
Remote indication contacts		-	250 V / 0,5 A AC, 250 V / 0,1 A DC
Cross-section of remote indication conductors		-	1,5 mm ²
Degree of protection		IP 20	IP 20
Range of operating temperatures (min/max)		-40 °C / 80 °C	-40 °C / 80 °C
Mounting		DIN rail 35 mm	DIN rail 35 mm
According to standard		EN 61643-11:2012, IEC 61643-11:2011 / T2	EN 61643-11:2012, IEC 61643-11:2011 / T2
Ordering number		A01722	A01763

Spare module		SLP-275 V/0	SLP-275 V/0
Ordering number		A02368	A02368

LV power systems up to 1000 V

SLP-275 V/3(S)+1

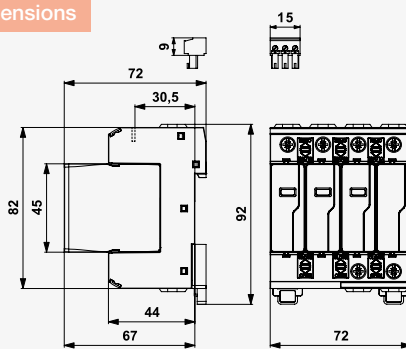
SPD Type 2 – Surge Arrester

pluggable module, visual fault signalling, module locking

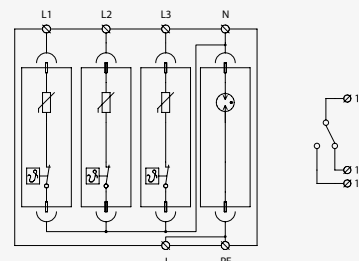
- combination of varistor surge arrester and encapsulated spark gap, connected in the 3+1 mode
- installation to LV installations, especially to sub-distribution boards in TT and also TN-S systems
- for protection of the installations and equipments against impact of induced overvoltages during a lightning strike or switching overvoltages
- optional remote fault signalling (S)



Dimensions



Basic circuit diagram



Parameter / Type		SLP-275 V/3+1	SLP-275 V/3S+1
Nominal voltage	U_n	230 V AC	230 V AC
Maximum operating voltage L-N	U_c	275 V AC	275 V AC
Maximum operating voltage N-PE	U_c	255 V AC	255 V AC
Nominal discharge current (8/20 μ s) L-N	I_n	20 kA	20 kA
Nominal discharge current (8/20 μ s) N-PE	I_n	20 kA	20 kA
Maximum discharge current (8/20 μ s) L-N	I_{max}	40 kA	40 kA
Maximum discharge current (8/20 μ s) N-PE	I_{max}	40 kA	40 kA
Voltage protection level at 5 kA L-N	U_p	0,9 kV	0,9 kV
Voltage protection level mode L-N	U_p	1,35 kV	1,35 kV
Voltage protection level mode N-PE	U_p	1,5 kV	1,5 kV
Voltage protection level mode L-PE	U_p	1,5 kV	1,5 kV
Ability to independently switch off the following current N-PE	I_{fi}	0,1 kA	0,1 kA
Short-circuit current rating	I_{SCCR}	50 kA	50 kA
Maximum overcurrent protection		160 A gL/gG	160 A gL/gG
Response time L-N	t_a	25 ns	25 ns
Response time N-PE	t_a	100 ns	100 ns
Cross-section of connected conductors solid (min/max)		1 mm ² / 35 mm ²	1 mm ² / 35 mm ²
Cross-section of connected conductors stranded (min/max)		1 mm ² / 25 mm ²	1 mm ² / 25 mm ²
Fault indication L-N		red indication field	red indication field
Fault indication N-PE		no	no
Remote indication		-	potential-free change-over contact
Remote indication contacts		-	250 V / 0,5 A AC, 250 V / 0,1 A DC
Cross-section of remote indication conductors		-	1,5 mm ²
Degree of protection		IP 20	IP 20
Range of operating temperatures (min/max)		-40 °C / 80 °C	-40 °C / 80 °C
Mounting		DIN rail 35 mm	DIN rail 35 mm
According to standard		EN 61643-11:2012, IEC 61643-11:2011 / T2	EN 61643-11:2012, IEC 61643-11:2011 / T2
Ordering number		A01946	A02002

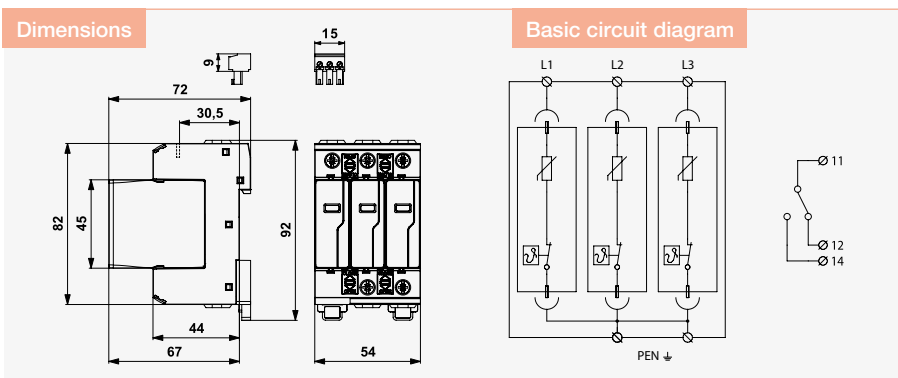
Spare module	SLP-275 V/0	SLP-NPE V/0	SLP-275 V/0	SLP-NPE V/0
Ordering number	A02368	A03722	A02368	A03722

SLP-600 V/3 (S)

SPD Type 2 – Surge arrester

pluggable module, visual fault signalling, module locking

- three-pole varistor surge arrester
- installation to LV installations, especially to sub-distribution boards in TN, IT systems
- for protection of the installations and equipments against impact of induced overvoltages during a lightning strike or switching overvoltages
- suitable for the protection of wind farms and inverters
- optional remote fault signalling (S)



Parameter/ Type		SLP-600 V/3	SLP-600 V/3 S
Nominal voltage	U_n	230 ÷ 690 V AC	230 ÷ 690 V AC
Maximum operating voltage	U_c	760 V AC	760 V AC
Nominal load current	I_n	15 kA	15 kA
Maximum discharge current (8/20 µs)	I_{max}	40 kA	40 kA
Voltage protection level at 5 kA	U_p	2,7 kV	2,7 kV
Voltage protection level	U_p	3,2 kV	3,2 kV
Short-circuit current rating	I_{SCCR}	25 kA	25 kA
Maximum overcurrent protection		100 A gL/gG	100 A gL/gG
Response time	t_a	25 ns	25 ns
Cross-section of connected conductors solid (min/max)		1 mm ² / 35 mm ²	1 mm ² / 35 mm ²
Cross-section of connected conductors stranded (min/max)		1 mm ² / 25 mm ²	1 mm ² / 25 mm ²
Fault indication		red indication field	red indication field
Remote indication		–	potential-free change-over contact
Remote indication contacts		–	250 V / 0,5 A AC, 250 V / 0,1 A DC
Cross-section of remote indication conductors		–	1,5 mm ²
Degree of protection		IP 20	IP 20
Range of operating temperatures (min/max)		– 40 °C ... + 80 °C	– 40 °C ... + 80 °C
Mounting		DIN rail 35 mm	DIN rail 35 mm
According to standard		EN 61643-11:2012, IEC 61643-11:2011 / T2	EN 61643-11:2012, IEC 61643-11:2011 / T2
Ordering number		A06076	A06305

Spare module		SLP-600 V/0	SLP-600 V/0
Ordering number		A03303	A03303

LV power systems up to 1000 V

SLP-... VB/1

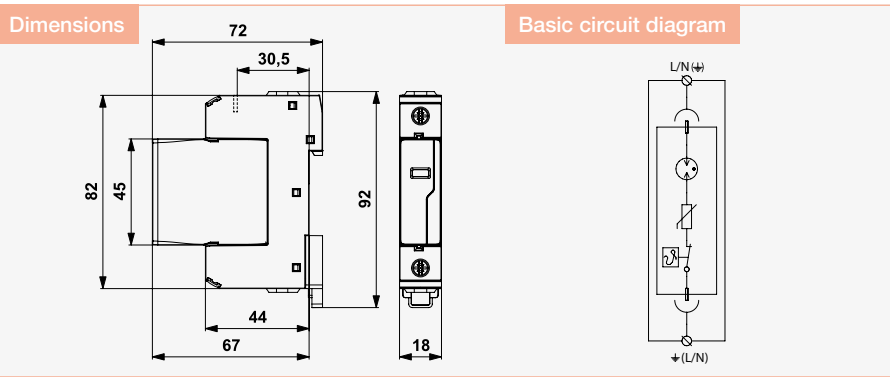
SPD Type 2 – Surge Arrester

pluggable module, visual fault signalling

- combined type surge arrester (serial combination of varistor+GDT)
- installation to LV installations, especially to sub-distribution boards in areas with unstable grid voltage and where diesel

- generators are used, suitable also for measuring circuits
- for protection of the installations and equipments against impact of induced overvoltages during a lightning strike

- in areas with higher storm activity or switching overvoltages or as the first stage of for protection for measuring circuits
- no leakage current



Parameter / Type		SLP-075 VB/1	SLP-130 VB/1	SLP-275 VB/1
Nominal voltage	U_n	-	110 V AC	230 V AC
Maximum operating voltage	U_c	75 V AC / 100 V DC	135 V AC / 175 V DC	275 V AC / 350 V DC
Nominal discharge current (8/20 μ s)	I_n	15 kA	20 kA	20 kA
Maximum discharge current (8/20 μ s)	I_{max}	25 kA	25 kA	25 kA
Voltage protection level	U_p	0,6 kV	0,7 kV	1,2 kV
Voltage protection level at 5 kA	U_p	0,3 kV	0,5 kV	0,9 kV
Short-circuit current rating	I_{SCCR}	35 kA	35 kA	35 kA
Maximum overcurrent protection		125 A gL/gG	125 A gL/gG	125 A gL/gG
Response time	t_a	100 ns	100 ns	100 ns
Cross-section of connected conductors solid (min/max)		1 mm ² / 35 mm ²	1 mm ² / 35 mm ²	1 mm ² / 35 mm ²
Cross-section of connected conductors stranded (min/max)		1 mm ² / 25 mm ²	1 mm ² / 25 mm ²	1 mm ² / 25 mm ²
Fault indication		red indication field	red indication field	red indication field
Degree of protection		IP 20	IP 20	IP 20
Range of operating temperatures (min/max)		-40 °C / 80 °C	-40 °C / 80 °C	-40 °C / 80 °C
Mounting		DIN rail 35 mm	DIN rail 35 mm	DIN rail 35 mm
According to standard		EN 61643-11:2012, IEC 61643-11:2011 / T2		
Ordering number		A02155	A02182	A01944

Spare module		SLP-075 VB/0	SLP-130 VB/0	SLP-275 VB/0
Ordering number		A03312	A03313	A03314

SLP-... VB/1 S

SPD Type 2 – Surge Arrester

pluggable module, visual fault signalling, remote fault signalling

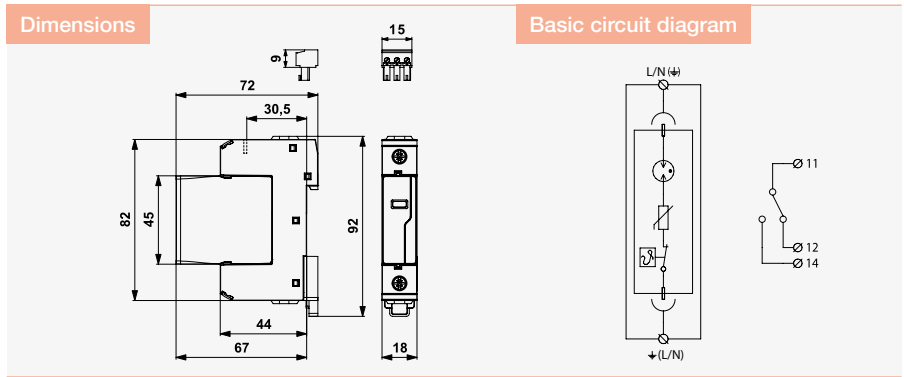
- combined type surge arrester (serial combination of varistor+GDT)
- installation to LV installations, especially to sub-distribution boards in areas with unstable grid voltage and where diesel

generators are used, suitable also for measuring circuits

- for protection of the installations and equipments against impact of induced overvoltages during a lightning strike in

areas with higher storm activity or switching overvoltages or as the first stage of protection for measuring circuits

- no leakage current
- remote fault signalling (S)



Parameter / Type	SLP-075 VB/1 S	SLP-130 VB/1 S	SLP-275 VB/1 S	
Nominal voltage	U_n	-	110 V AC	230 V AC
Maximum operating voltage	U_c	75 V AC / 100 V DC	135 V AC / 175 V DC	275 V AC / 350 V DC
Nominal discharge current (8/20 μ s)	I_n	15 kA	20 kA	20 kA
Maximum discharge current (8/20 μ s)	I_{max}	25 kA	25 kA	25 kA
Voltage protection level	U_p	0,6 kV	0,7 kV	1,2 kV
Voltage protection level at 5 kA	U_p	0,3 kV	0,5 kV	0,9 kV
Short-circuit current rating	I_{SCCR}	35 kA	35 kA	35 kA
Maximum overcurrent protection		125 A gL/gG	125 A gL/gG	125 A gL/gG
Response time	t_a	100 ns	100 ns	100 ns
Cross-section of connected conductors solid (min/max)		1 mm ² / 35 mm ²	1 mm ² / 35 mm ²	1 mm ² / 35 mm ²
Cross-section of connected conductors stranded (min/max)		1 mm ² / 25 mm ²	1 mm ² / 25 mm ²	1 mm ² / 25 mm ²
Fault indication		red indication field	red indication field	red indication field
Remote indication		potential-free change-over contact	potential-free change-over contact	potential-free change-over contact
Remote indication contacts		250 V / 0,5 A AC, 250 V / 0,1 A DC	250 V / 0,5 A AC, 250 V / 0,1 A DC	250 V / 0,5 A AC, 250 V / 0,1 A DC
Cross-section of remote indication conductors		1,5 mm ²	1,5 mm ²	1,5 mm ²
Degree of protection		IP 20	IP 20	IP 20
Range of operating temperatures (min/max)		-40 °C / 80 °C	-40 °C / 80 °C	-40 °C / 80 °C
Mounting		DIN rail 35 mm	DIN rail 35 mm	DIN rail 35 mm
According to standard	EN 61643-11:2012, IEC 61643-11:2011 / T2			
Ordering number	A02156	A02996	A01945	

Spare module	SLP-075 VB/0	SLP-130 VB/0	SLP-275 VB/0
Ordering number	A03312	A03313	A03314

LV power systems up to 1000 V

SLP-275 VB/3(S)+1

SPD Type 2 – Surge Arrester

pluggable module, visual fault signalling, module locking

- combination of combined type surge arrester (serial combination of varistor+GDT) and encapsulated spark gap, connected in the 3+1 mode
- installation to LV installations, especially to sub-distribution boards in areas with

unstable grid voltage and where diesel generators are used, suitable also for measuring circuits

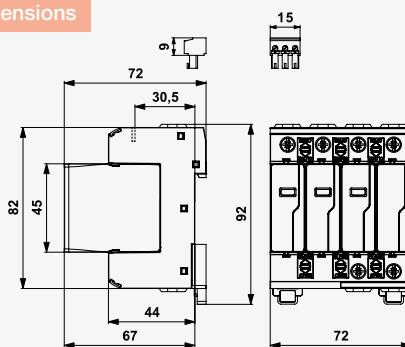
- for protection of the installations and equipments against impact of induced overvoltages during a lightning strike

in areas with higher storm activity or switching overvoltages or as the first stage of for protection for measuring circuits

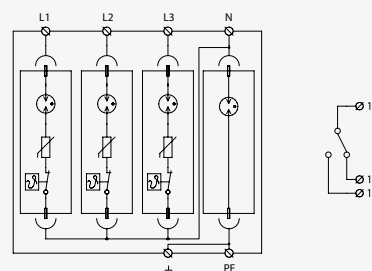
- no leakage current
- optional remote fault signalling (S)



Dimensions



Basic circuit diagram



Parameter / Type		SLP-275 VB/3+1	SLP-275 VB/3S+1
Maximum operating voltage L-N	U_c	275 V AC	275 V AC
Maximum operating voltage N-PE	U_c	255 V AC	255 V AC
Nominal discharge current (8/20 μ s) L-N	I_n	20 kA	20 kA
Nominal discharge current (8/20 μ s) N-PE	I_n	20 kA	20 kA
Maximum discharge current (8/20 μ s) L-N	I_{max}	25 kA	25 kA
Maximum discharge current (8/20 μ s) N-PE	I_{max}	40 kA	40 kA
Voltage protection level mode L-N	U_p	1,2 kV	1,2 kV
Voltage protection level mode N-PE	U_p	1,5 kV	1,5 kV
Voltage protection level mode L-PE	U_p	2 kV	2 kV
Ability to independently switch off the following current N-PE	I_f	0,1 kA	0,1 kA
Short-circuit current rating	I_{SCCR}	35 kA	35 kA
Maximum overcurrent protection		125 A gL/gG	125 A gL/gG
Response time	t_a	100 ns	100 ns
Cross-section of connected conductors solid (min/max)		1 mm ² / 35 mm ²	1 mm ² / 35 mm ²
Cross-section of connected conductors stranded (min/max)		1 mm ² / 25 mm ²	1 mm ² / 25 mm ²
Fault indication		red indication field	red indication field
Remote indication		-	potential-free change-over contact
Remote indication contacts		-	250 V / 0,5 A AC, 250 V / 0,1 A DC
Cross-section of remote indication conductors		-	1,5 mm ²
Degree of protection		IP 20	IP 20
Range of operating temperatures (min/max)		-40 °C / 80 °C	-40 °C / 80 °C
Mounting		DIN rail 35 mm	DIN rail 35 mm
According to standard		EN 61643-11:2012, IEC 61643-11:2011 / T2	EN 61643-11:2012, IEC 61643-11:2011 / T2
Ordering number		A03310	A03311

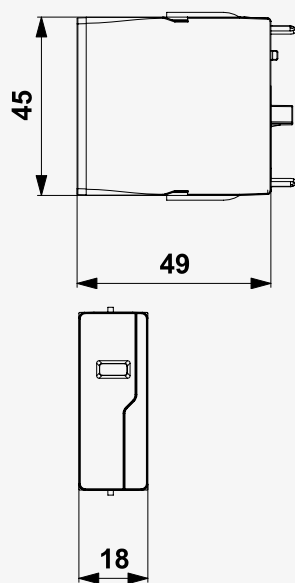
Spare module	SLP-275 VB/0	SLP-NPE V/0	SLP-275 VB/0	SLP-NPE V/0
Ordering number	A03314	A03722	A03314	A03722

SLP-... V/0

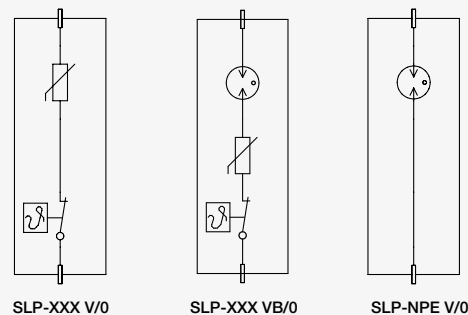
Spare modules for Surge Arresters
SPDs Type 2



Dimensions



Basic circuit diagram



Type	Ordering number
SLP-075 V/0	A01811
SLP-150 V/0	A05193
SLP-275 V/0	A02368
SLP-385 V/0	A01950
SLP-440 V/0	A01813
SLP-600 V/0	A03303
SLP-075 VB/0	A03312
SLP-130 VB/0	A03313
SLP-275 VB/0	A03314
SLP-NPE V/0	A03722

LV power systems
up to 1000 V

Notes

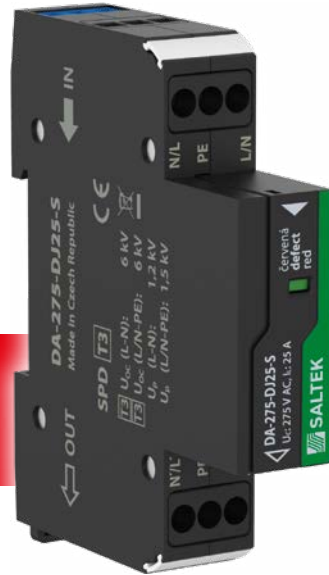
LV power systems
up to 1 000 V



SPDs connected to LV power supply systems up to 1 000 V

LV power systems
up to 1 000 V

Surge Protections SPDs Type 3



- Surge Protections, SPDs Type 3
- Installation close to protected equipment

- For DIN rail 35 mm
- With integrated RFI filter
- Modules for additional installation
- For 19" RACK enclosures

DA-275 V/1(S)+1

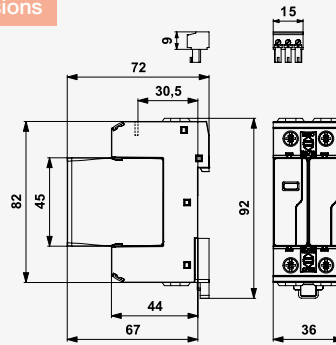
SPD Type 3 – Surge Protection

pluggable module, visual fault signalling, module locking

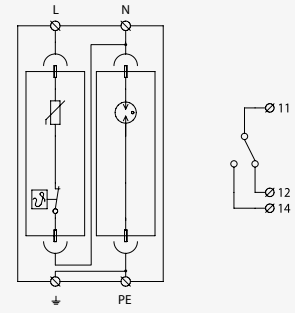
- combination of varistor SPD and encapsulated spark gap, connected in the 1+1 mode
- installation to LV installations, close to protected equipment
- for protection of the equipments against impact of induced overvoltages during a lightning strike or switching overvoltages
- optional remote fault signalling (S)



Dimensions



Basic circuit diagram



Parameter / Type		DA-275 V/1+1	DA-275 V/1S+1
Nominal voltage	U_n	230 V AC	230 V AC
Maximum operating voltage L-N	U_c	275 V AC	275 V AC
Maximum operating voltage N-PE	U_c	255 V AC	255 V AC
Nominal discharge current (8/20 μ s) L-N	I_n	5 kA	5 kA
Nominal discharge current (8/20 μ s) N-PE	I_n	10 kA	10 kA
Test voltage L-N	U_{oc}	10 kV	10 kV
Test voltage N-PE	U_{oc}	20 kV	20 kV
Voltage protection level L-N	U_p	1 kV	1 kV
Voltage protection level mode L-PE	U_p	1,5 kV	1,5 kV
Voltage protection level mode N-PE	U_p	1,5 kV	1,5 kV
Maximum overcurrent protection		63 A gL/gG or C 63 A	63 A gL/gG or C 63 A
Response time	t_a	25 ns	-
Response time L-N	t_a	25 ns	25 ns
Response time N-PE	t_a	100 ns	100 ns
Cross-section of connected conductors solid (min/max)		1 mm ² / 35 mm ²	1 mm ² / 35 mm ²
Cross-section of connected conductors stranded (min/max)		1 mm ² / 25 mm ²	1 mm ² / 25 mm ²
Fault indication L-N		red indication field	red indication field
Fault indication N-PE		no	no
Remote indication		-	potential-free change-over contact
Remote indication contacts		-	250 V / 0,5 A AC, 250 V / 0,1 A DC
Cross-section of remote indication conductors		-	1,5 mm ²
Degree of protection		IP 20	IP 20
Range of operating temperatures (min/max)		-40 °C / 80 °C	-40 °C / 80 °C
Mounting		DIN rail 35 mm	DIN rail 35 mm
According to standard		EN 61643-11:2012, IEC 61643-11:2011 / T3	EN 61643-11:2012, IEC 61643-11:2011 / T3
Ordering number		A01872	A01975

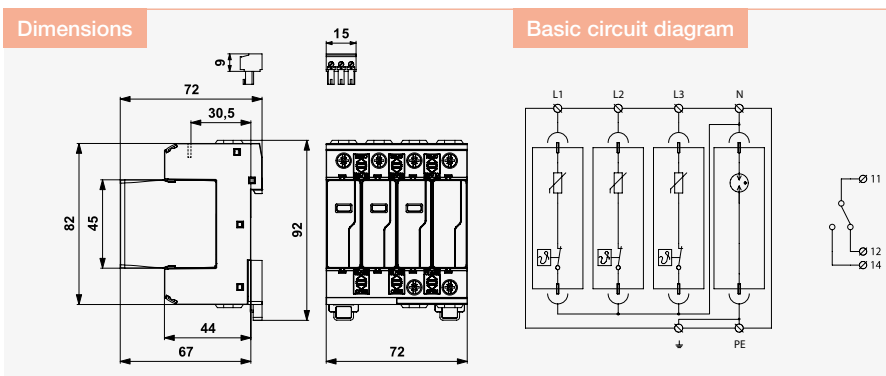
Spare module	DA-275 V/0	DA-NPE V/0	DA-275 V/0	DA-NPE V/0
Ordering number	A03594	A03004	A03594	A03004

DA-275 V/3(S)+1

SPD Type 3 – Surge Protection

pluggable module, visual fault signalling, module locking

- combination of varistor SPD and encapsulated spark gap, connected in the 3+1 mode
- installation to LV installations, close to protected equipment
- for protection of the equipments against impact of induced overvoltages during a lightning strike or switching overvoltages
- optional remote fault signalling (S)



Parameter / Type		DA-275 V/3+1	DA-275 V/3S+1
Nominal voltage	U_n	230 V AC	230 V AC
Maximum operating voltage L-N	U_c	275 V AC	275 V AC
Maximum operating voltage N-PE	U_c	255 V AC	255 V AC
Nominal discharge current (8/20 μ s) L-N	I_n	5 kA	5 kA
Nominal discharge current (8/20 μ s) N-PE	I_n	10 kA	10 kA
Test voltage L-N	U_{oc}	10 kV	10 kV
Test voltage N-PE	U_{oc}	20 kV	20 kV
Voltage protection level mode L-N	U_p	1 kV	1 kV
Voltage protection level mode N-PE	U_p	1,5 kV	1,5 kV
Voltage protection level mode L-PE	U_p	1,5 kV	1,5 kV
Maximum overcurrent protection		63 A gL/gG or C 63 A	63 A gL/gG or C 63 A
Response time	t_a	25 ns	-
Response time L-N	t_a	25 ns	25 ns
Response time N-PE	t_a	100 ns	100 ns
Cross-section of connected conductors solid (min/max)		1 mm ² / 35 mm ²	1 mm ² / 35 mm ²
Cross-section of connected conductors stranded (min/max)		1 mm ² / 25 mm ²	1 mm ² / 25 mm ²
Fault indication L-N		red indication field	red indication field
Fault indication N-PE		no	no
Remote indication		-	potential-free change-over contact
Remote indication contacts		-	250 V / 0,5 A AC, 250 V / 0,1 A DC
Cross-section of remote indication conductors		-	1,5 mm ²
Degree of protection		IP 20	IP 20
Range of operating temperatures (min/max)		-40 °C / 80 °C	-40 °C / 80 °C
Mounting		DIN rail 35 mm	DIN rail 35 mm
According to standard		EN 61643-11:2012, IEC 61643-11:2011 / T3	EN 61643-11:2012, IEC 61643-11:2011 / T3
Ordering number		A01848	A01849

Spare module	DA-275 V/0	DA-NPE V/0	DA-275 V/0	DA-NPE V/0
Ordering number	A03594	A03004	A03594	A03004

LV power systems up to 1000 V

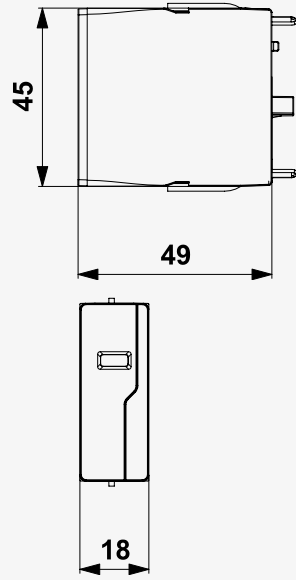
DA-... V/0

Spare modules for Surge Protections
SPDs Type 3

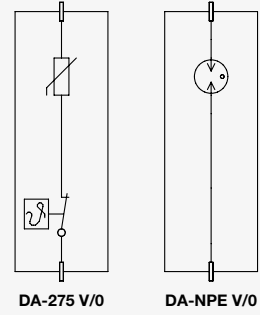
LV power systems
up to 1 000 V



Dimensions



Basic circuit diagram



Type	Ordering number
DA-275 V/0	A03594
DA-NPE V/0	A03004

DA-...-DJ25

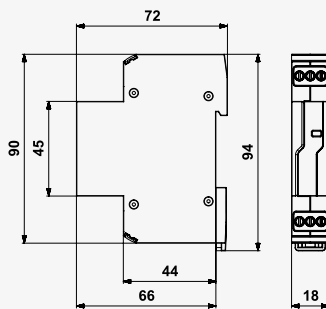
NEW

SPD Type 3 – Surge Protection visual fault signalling

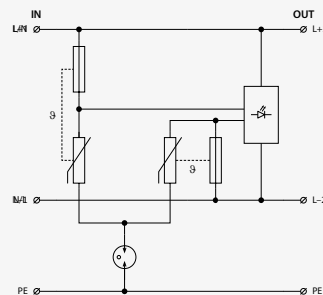
- universally applicable SPD for all types of LV electric and electronic equipments against surge voltage
- installation to LV installations, close to protected equipment
- for protection of the equipments against impact of induced overvoltages during a lightning strike or switching overvoltages



Dimensions



Basic circuit diagram



Název parametru / Typ výrobku		DA-075-DJ25	DA-150-DJ25
Nominal voltage	U_n	60 V AC	120 V AC
Maximum operating voltage	U_c	75 V AC	150 V AC
Nominal load current	I_L	25 A	25 A
Nominal discharge current (8/20 μ s) L-N	I_n	2 kA	2,5 kA
Nominal discharge current (8/20 μ s) N-PE	I_n	2 kA	2,5 kA
Nominal discharge current (8/20 μ s) L+N-PE	I_n	4 kA	5 kA
Test voltage L-N	U_{oc}	4 kV	5 kV
Test voltage N-PE	U_{oc}	4 kV	5 kV
Test voltage L+N-PE	U_{oc}	8 kV	10 kV
Voltage protection level mode L-N	U_p	0,43 kV	0,63 kV
Voltage protection level mode N-PE	U_p	0,75 kV	1,1 kV
Voltage protection level mode L-PE	U_p	0,75 kV	1,1 kV
Short-circuit current rating	I_{SCCR}	1,5 kA	1,5 kA
Maximum overcurrent protection		25 A gL/gG; B 25 A	25 A gL/gG; B 25 A
Response time L-N	t_a	25 ns	25 ns
Response time N-PE	t_a	100 ns	100 ns
Cross-section of connected conductors solid (max)		6 mm ²	6 mm ²
Cross-section of connected conductors stranded (max)		4 mm ²	4 mm ²
Fault indication		red indicator	red indicator
Degree of protection		IP 20	IP 20
Range of operating temperatures (min/max)		-40 °C / 80 °C	-40 °C / 80 °C
Mounting		DIN rail 35 mm	DIN rail 35 mm
According to standard		EN 61643-11:2012, IEC 61643-11:2011 / T3	EN 61643-11:2012, IEC 61643-11:2011 / T3
Ordering number		A06094	A06095

LV power systems
up to 1000 V

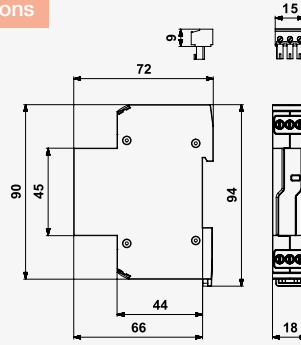
DA-275-DJ25-(S)

SPD Type 3 – Surge Protection visual fault signalling

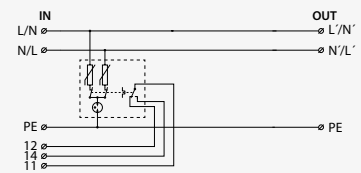
- universally applicable serially connected SPD for all types of LV electric and electronic equipments against surge voltage
- installation to LV installations, close to protected equipment
- for protection of the equipments against impact of induced overvoltages during a lightning strike or switching overvoltages
- optional remote fault signalling (S)



Dimensions



Basic circuit diagram

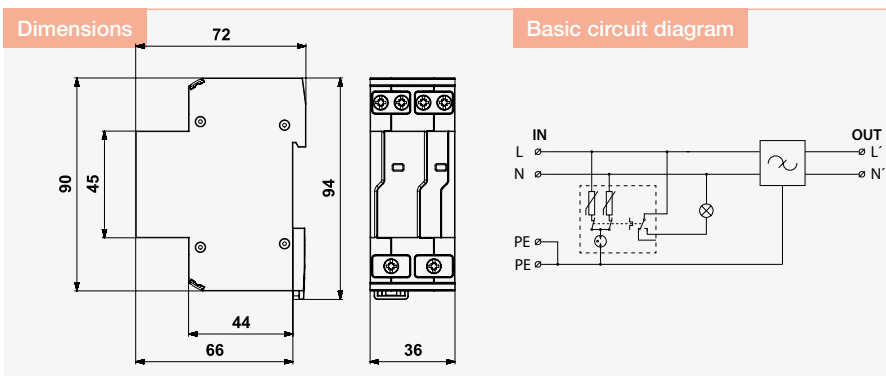


Parameter / Type		DA-275-DJ25	DA-275-DJ25-S
Nominal voltage	U_n	230 V AC	230 V AC
Maximum operating voltage	U_c	275 V AC	275 V AC
Nominal load current	I_L	25 A	25 A
Nominal discharge current (8/20 μ s) L-N	I_n	3 kA	3 kA
Nominal discharge current (8/20 μ s) N-PE	I_n	3 kA	3 kA
Nominal discharge current (8/20 μ s) L+N-PE	I_n	5 kA	5 kA
Test voltage L-N	U_{oc}	6 kV	6 kV
Test voltage N-PE	U_{oc}	6 kV	6 kV
Test voltage L+N-PE	U_{oc}	10 kV	10 kV
Voltage protection level mode L-N	U_p	1,2 kV	1,2 kV
Voltage protection level mode N-PE	U_p	1,5 kV	1,5 kV
Voltage protection level mode L-PE	U_p	1,5 kV	1,5 kV
Short-circuit current rating	I_{SCCR}	6 kA	6 kA
Maximum overcurrent protection		32 A gL/gG or C 32 A	32 A gL/gG or C 32 A
Response time L-N	t_a	25 ns	25 ns
Response time N-PE	t_a	100 ns	100 ns
Cross-section of connected conductors solid (max)		6 mm ²	6 mm ²
Cross-section of connected conductors stranded (max)		4 mm ²	4 mm ²
Fault indication		red indicator	red indication field
Remote indication		-	potential-free change-over contact
Remote indication contacts		-	250 V / 0,5 A AC, 250 V / 0,1 A DC
Cross-section of remote indication conductors		-	1,5 mm ²
Degree of protection		IP 20	IP 20
Range of operating temperatures (min/max)		-40 °C / 80 °C	-40 °C / 80 °C
Mounting		DIN rail 35 mm	DIN rail 35 mm
According to standard		EN 61643-11:2012, IEC 61643-11:2011 / T3	EN 61643-21+A1,A2:2013, IEC 61643-21+A1,A2:2012 / C2,C3
Ordering number		A05770	A05771

DA-275-DF..

SPD Type 3 – Surge Protection with RFI filter visual fault signalling

- surge protection with integrated RFI filter
- installation to LV installations, close to protected equipment
- for protection of power lines of I&C, electronic security and fire detection systems, etc. against impact of surge voltage and RF disturbance



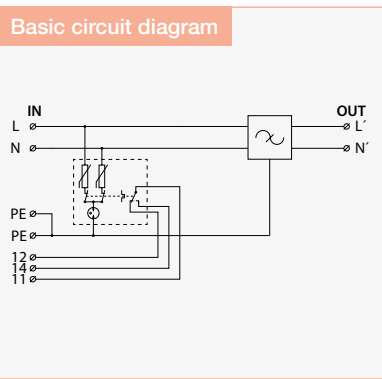
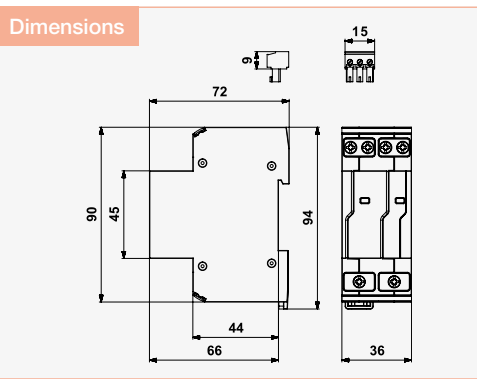
Parameter / Type		DA-275-DF2	DA-275-DF6	DA-275-DF10	DA-275-DF16
Nominal voltage	U_n	230 V AC	230 V AC	230 V AC	230 V AC
Maximum operating voltage	U_c	275 V AC	275 V AC	275 V AC	275 V AC
Nominal load current	I_L	2 A	6 A	10 A	16 A
Nominal discharge current (8/20 μ s) L-N	I_n	3 kA	3 kA	3 kA	3 kA
Nominal discharge current (8/20 μ s) N-PE	I_n	3 kA	3 kA	3 kA	3 kA
Nominal discharge current (8/20 μ s) L+N-PE	I_n	5 kA	5 kA	5 kA	5 kA
Test voltage L-N	U_{oc}	6 kV	6 kV	6 kV	6 kV
Test voltage N-PE	U_{oc}	6 kV	6 kV	6 kV	6 kV
Test voltage L+N-PE	U_{oc}	10 kV	10 kV	10 kV	10 kV
Voltage protection level mode L-N	U_p	1,2 kV	1,2 kV	1,2 kV	1,2 kV
Voltage protection level mode N-PE	U_p	1,5 kV	1,5 kV	1,5 kV	1,5 kV
Voltage protection level mode L-PE	U_p	1,5 kV	1,5 kV	1,5 kV	1,5 kV
Short-circuit current rating	I_{SCCR}	6 kA	6 kA	6 kA	6 kA
Maximum overcurrent protection		2 A gL/gG or C 2 A	6 A gL/gG or C 6 A	10 A gL/gG or C 10 A	16 A gL/gG or C 16 A
Response time L-N	t_a	25 ns	25 ns	25 ns	25 ns
Response time N-PE	t_a	100 ns	100 ns	100 ns	100 ns
Filter attenuation at 1MHz (50 Ω /50 Ω) unsymmetrical		30 dB	30 dB	30 dB	30 dB
Cross-section of connected conductors solid (max)		6 mm ²	6 mm ²	6 mm ²	6 mm ²
Cross-section of connected conductors stranded (max)		6 mm ²	6 mm ²	6 mm ²	6 mm ²
Fault indication		red indicator	red indicator	red indicator	red indicator
Cross-section of remote indication conductors solid (max)		1,5 mm ²	1,5 mm ²	1,5 mm ²	1,5 mm ²
Cross-section of remote indication conductors stranded (max)		1,5 mm ²	1,5 mm ²	1,5 mm ²	1,5 mm ²
Degree of protection		IP 20	IP 20	IP 20	IP 20
Range of operating temperatures (min/max)		-40 °C / 80 °C	-40 °C / 80 °C	-40 °C / 80 °C	-40 °C / 80 °C
Mounting		DIN rail 35 mm	DIN rail 35 mm	DIN rail 35 mm	DIN rail 35 mm
According to standard		EN 61643-11:2012, IEC 61643-11:2011 / T3			
Ordering number		A05715	A05717	A05719	A05721

LV power systems up to 1000 V

DA-275-DF..-S

SPD Type 3 – Surge Protection with RFI filter visual and remote fault signalling

- surge protection with integrated RFI filter
- installation to LV installations, close to protected equipment
- for protection of power lines of I&C, electronic security and fire detection systems, etc. against impact of surge voltage and RF disturbance
- remote fault signalling (S)



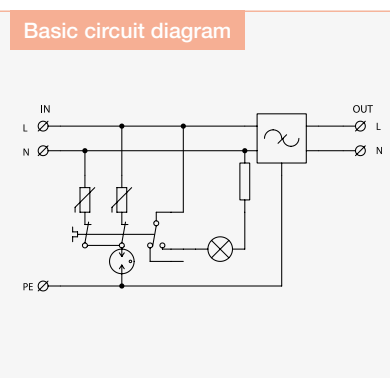
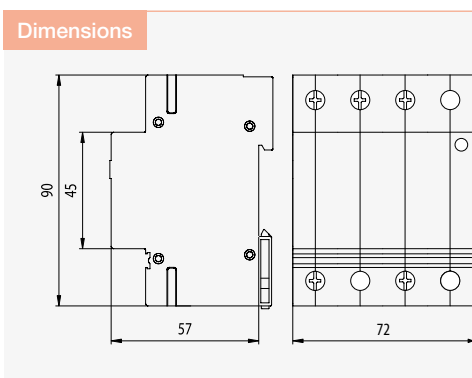
Parameter / Type		DA-275-DF6-S	DA-275-DF10-S	DA-275-DF16-S
Nominal voltage	U_n	230 V AC	230 V AC	230 V AC
Maximum operating voltage	U_c	275 V AC	275 V AC	275 V AC
Nominal load current	I_L	6 A	10 A	16 A
Nominal discharge current (8/20 μ s) L-N	I_n	3 kA	3 kA	3 kA
Nominal discharge current (8/20 μ s) N-PE	I_n	3 kA	3 kA	3 kA
Nominal discharge current (8/20 μ s) L+N-PE	I_n	5 kA	5 kA	5 kA
Test voltage L-N	U_{oc}	6 kV	6 kV	6 kV
Test voltage N-PE	U_{oc}	6 kV	6 kV	6 kV
Test voltage L+N-PE	U_{oc}	10 kV	10 kV	10 kV
Voltage protection level mode L-N	U_p	1,2 kV	1,2 kV	1,2 kV
Voltage protection level mode N-PE	U_p	1,5 kV	1,5 kV	1,5 kV
Voltage protection level mode L-PE	U_p	1,5 kV	1,5 kV	1,5 kV
Short-circuit current rating	I_{SCCR}	6 kA	6 kA	6 kA
Maximum overcurrent protection		6 A gL/gG or C 6 A	10 A gL/gG or C 10 A	16 A gL/gG or C 16 A
Response time L-N	t_a	25 ns	25 ns	25 ns
Response time N-PE	t_a	100 ns	100 ns	100 ns
Filter attenuation at 1MHz (50 Ω /50 Ω) unsymmetrical		30 dB	30 dB	30 dB
Cross-section of connected conductors solid (max)		6 mm ²	6 mm ²	6 mm ²
Cross-section of connected conductors stranded (max)		6 mm ²	6 mm ²	6 mm ²
Fault indication		red indication field	red indication field	red indication field
Remote indication		potential-free change-over contact	potential-free change-over contact	potential-free change-over contact
Remote indication contacts		250 V / 0,5 A AC, 250 V / 0,1 A DC	250 V / 0,5 A AC, 250 V / 0,1 A DC	250 V / 0,5 A AC, 250 V / 0,1 A DC
Cross-section of remote indication conductors solid (max)		1,5 mm ²	1,5 mm ²	1,5 mm ²
Cross-section of remote indication conductors stranded (max)		1,5 mm ²	1,5 mm ²	1,5 mm ²
Degree of protection		IP 20	IP 20	IP 20
Range of operating temperatures (min/max)		-40 °C / 80 °C	-40 °C / 80 °C	-40 °C / 80 °C
Mounting		DIN rail 35 mm	DIN rail 35 mm	DIN rail 35 mm
According to standard		EN 61643-11:2012, IEC 61643-11:2011 / T3		
Ordering number		A05718	A05720	A05722

DA-275 DF 25

SPD Type 3 – Surge Protection with RFI filter visual fault signalling

- surge protection with integrated RFI filter
- installation to LV installations, close to protected equipment
- for protection of power lines of I&C, electronic security and fire detection systems, etc. against impact of surge voltage and RF disturbance

LV power systems
up to 1000 V

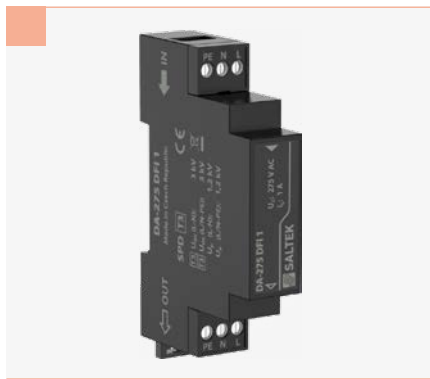


Parameter / Type		DA-275 DF 25
Nominal voltage	U_n	230 V AC
Maximum operating voltage	U_c	275 V AC
Nominal load current	I_L	25 A
Nominal discharge current (8/20 μ s) L-N	I_n	3 kA
Nominal discharge current (8/20 μ s) N-PE	I_n	3 kA
Nominal discharge current (8/20 μ s) L+N-PE	I_n	5 kA
Test voltage L-N	U_{oc}	6 kV
Test voltage N-PE	U_{oc}	6 kV
Test voltage L+N-PE	U_{oc}	10 kV
Voltage protection level mode L-N	U_p	1,2 kV
Voltage protection level mode N-PE	U_p	1,5 kV
Voltage protection level mode L-PE	U_p	1,5 kV
Maximum overcurrent protection		25 A gL/gG or C 25 A
Response time L-N	t_a	25 ns
Response time N-PE	t_a	100 ns
Filter attenuation at 1MHz (50 Ω /50 Ω) unsymmetrical		30 dB
Cross-section of connected conductors solid (min/max)		1 mm ² / 50 mm ²
Cross-section of connected conductors stranded (min/max)		1 mm ² / 35 mm ²
Fault indication		red indicator
Degree of protection		IP 20
Range of operating temperatures (min/max)		-40 °C / 80 °C
Mounting		DIN rail 35 mm
According to standard		EN 61643-11:2012, IEC 61643-11:2011 / T3
Ordering number		A03732

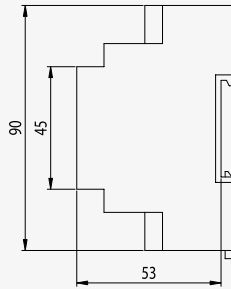
DA-275 DFI 1

SPD Type 3 – Surge Protection with RFI filter fault signalling due to power supply interruption

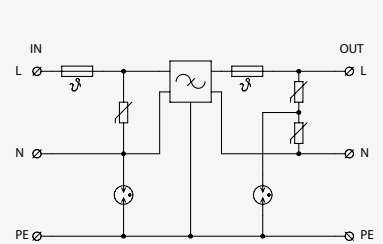
- surge protection with integrated RFI filter
- installation to LV installations, close to protected equipment
- for protection of power lines of I&C, electronic security and fire detection systems, etc. against impact of surge voltage and RF disturbance
- protection priority



Dimensions



Basic circuit diagram



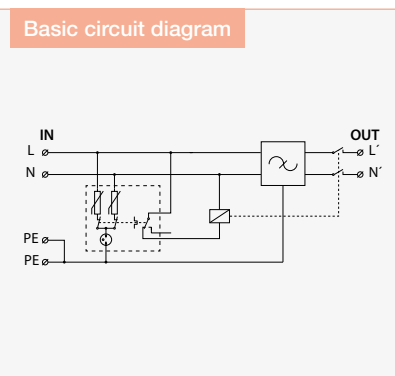
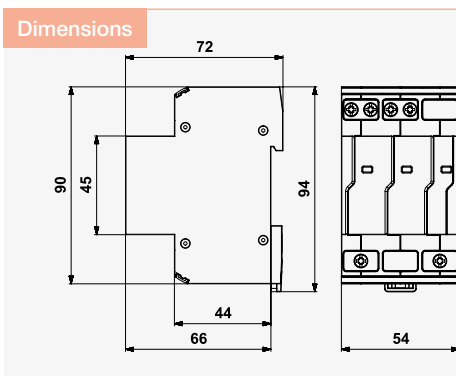
Parameter / Type		DA-275 DFI 1
Nominal voltage	U_n	230 V AC
Maximum operating voltage	U_c	275 V AC
Nominal load current	I_L	1 A
Nominal discharge current (8/20 μ s) L-N	I_n	1,5 kA
Nominal discharge current (8/20 μ s) N-PE	I_n	1,5 kA
Test voltage L-N	U_{oc}	3 kV
Test voltage N-PE	U_{oc}	3 kV
Voltage protection level mode L-N	U_p	1,2 kV
Voltage protection level mode N-PE	U_p	1,2 kV
Maximum overcurrent protection		1 A gL/gG or C 1 A
Response time L-N	t_a	25 ns
Response time N-PE	t_a	100 ns
Filter attenuation at 1MHz (50 Ω /50 Ω) unsymmetrical		50 dB
Cross-section of connected conductors solid (max)		4 mm ²
Cross-section of connected conductors stranded (max)		2,5 mm ²
Fault indication		supply interruption
Remote indication		no
Degree of protection		IP 20
Range of operating temperatures (min/max)		-40 °C / 80 °C
Mounting		DIN rail 35 mm
According to standard		EN 61643-11:2012, IEC 61643-11:2011 / T3
Ordering number		A01205

DA-275-DFi..

SPD Type 3 – Surge Protection with RFI filter

fault signalling due to power supply interruption, visual fault signalling

- surge protection with integrated RFI filter
- installation to LV installations, close to protected equipment
- for protection of power lines of I&C, electronic security and fire detection systems, etc. against impact of surge voltage and RF disturbance
- protection priority



Parameter / Type		DA-275-DFi6	DA-275-DFi10	DA-275-DFi16
Nominal voltage	U_n	230 V AC	230 V AC	230 V AC
Maximum operating voltage	U_c	275 V AC	275 V AC	275 V AC
Nominal load current	I_L	6 A	10 A	16 A
Nominal discharge current (8/20 μ s) L-N	I_n	3 kA	3 kA	3 kA
Nominal discharge current (8/20 μ s) N-PE	I_n	3 kA	3 kA	3 kA
Nominal discharge current (8/20 μ s) L+N-PE	I_n	5 kA	5 kA	5 kA
Test voltage L-N	U_{oc}	6 kV	6 kV	6 kV
Test voltage N-PE	U_{oc}	6 kV	6 kV	6 kV
Test voltage L+N-PE	U_{oc}	10 kV	10 kV	10 kV
Voltage protection level mode L-N	U_p	1,2 kV	1,2 kV	1,2 kV
Voltage protection level mode N-PE	U_p	1,5 kV	1,5 kV	1,5 kV
Voltage protection level mode L-PE	U_p	1,5 kV	1,5 kV	1,5 kV
Short-circuit current rating	I_{SCCR}	6 kA	6 kA	6 kA
Maximum overcurrent protection		6 A gL/gG or C 6 A	10 A gL/gG or C 10 A	16 A gL/gG or C 16 A
Response time L-N	t_a	25 ns	25 ns	25 ns
Response time N-PE	t_a	100 ns	100 ns	100 ns
Filter attenuation at 1MHz (50 Ω /50 Ω) unsymmetrical		30 dB	30 dB	30 dB
Cross-section of connected conductors solid (max)		6 mm ²	6 mm ²	6 mm ²
Cross-section of connected conductors stranded (max)		6 mm ²	6 mm ²	6 mm ²
Fault indication		red indication field, supply interruption	red indication field, supply interruption	red indication field, supply interruption
Cross-section of remote indication conductors solid (max)		1,5 mm ²	1,5 mm ²	1,5 mm ²
Cross-section of remote indication conductors stranded (max)		1,5 mm ²	1,5 mm ²	1,5 mm ²
Degree of protection		IP 20	IP 20	IP 20
Range of operating temperatures (min/max)		-40 °C / 80 °C	-40 °C / 80 °C	-40 °C / 80 °C
Mounting		-	DIN rail 35 mm	DIN rail 35 mm
According to standard		EN 61643-11:2012, IEC 61643-11:2011 / T3		
Ordering number		A05723	A05724	A05725

LV power systems up to 1000 V

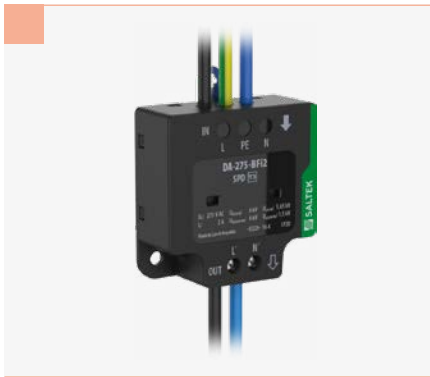
DA-275-BFi2

NEW

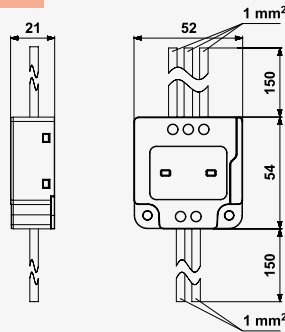
LV power systems
up to 1 000 V

SPD Type 3 – Surge Protection with RFI filter
fault signalling due to power supply interruption

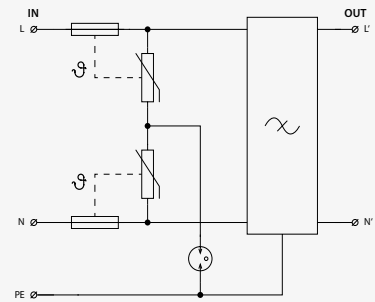
- surge protection with integrated RFI filter
- installation to LV installations, close to protected equipment
- for protection of power lines of I&C, etc. against impact of surge voltage and RF disturbance
- protection priority



Dimensions



Basic circuit diagram



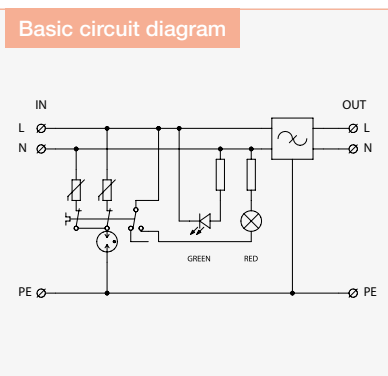
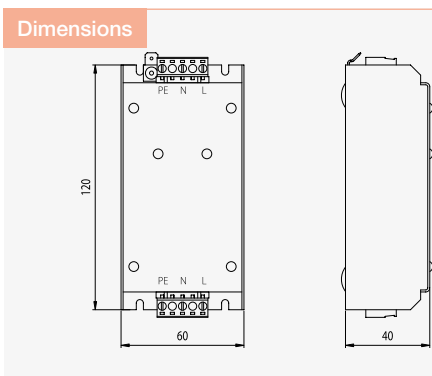
Název parametru / Typ výrobku		DA-275-BFi2
Nominal voltage	U_n	230 V AC
Maximum operating voltage	U_c	275 V AC
Nominal load current	I_L	2 A
Nominal discharge current (8/20 μ s) L-N	I_n	3 kA
Nominal discharge current (8/20 μ s) N-PE	I_n	3 kA
Nominal discharge current (8/20 μ s) L+N-PE	I_n	5 kA
Test voltage L-N	U_{oc}	6 kV
Test voltage N-PE	U_{oc}	6 kV
Test voltage L+N-PE	U_{oc}	10 kV
Voltage protection level mode L-N	U_p	1,65 kV
Voltage protection level mode L(N)-PE	U_p	1,5 kV
Short-circuit current rating	I_{SCCR}	3 kA
Maximum overcurrent protection		B 16 A
Response time L-N	t_a	25 ns
Response time L(N)-PE	t_a	100 ns
Filter attenuation at 1MHz (50 Ω /50 Ω) unsymmetrical		20 dB
Fault indication		loss of voltage
Degree of protection		IP 20
Range of operating temperatures (min/max)		-40 °C / 80 °C
According to standard		EN 61643-11:2012, IEC 61643-11:2011 / T3
Ordering number		A06262

DA-275 BFG

SPD Type 3 – Surge Protection with RFI filter

visual fault signalling, grounding terminal, class I device

- surge protection with integrated RFI filter
- installation to LV installations, close to protected equipment
- for protection of power lines of I&C, electronic security and fire detection systems, etc. against impact of surge voltage and RF disturbance



Parameter / Type		DA-275 BFG
Nominal voltage	U_n	230 V AC
Maximum operating voltage	U_c	275 V AC
Nominal load current	I_L	16 A
Nominal discharge current (8/20 μ s) L-N	I_n	3 kA
Nominal discharge current (8/20 μ s) N-PE	I_n	3 kA
Nominal discharge current (8/20 μ s) L+N-PE	I_n	5 kA
Test voltage L-N	U_{oc}	6 kV
Test voltage N-PE	U_{oc}	6 kV
Test voltage L+N-PE	U_{oc}	10 kV
Voltage protection level mode L-N	U_p	1,2 kV
Voltage protection level mode N-PE	U_p	1,5 kV
Voltage protection level mode L-PE	U_p	1,5 kV
Maximum overcurrent protection		16 A gL/gG or C 16 A
Response time L-N	t_a	25 ns
Response time N-PE	t_a	100 ns
Filter attenuation at 1MHz (50 Ω /50 Ω) unsymmetrical		30 dB
Cross-section of connected conductors solid (max)		2,5 mm ²
Cross-section of connected conductors stranded (max)		2,5 mm ²
Fault indication		red indicator
Remote indication		no
Degree of protection		IP 20
Range of operating temperatures (min/max)		-40 °C / 80 °C
Mounting		surface on the desk
According to standard		EN 61643-11:2012, IEC 61643-11:2011 / T3
Ordering number		A00629

LV power systems up to 1000 V

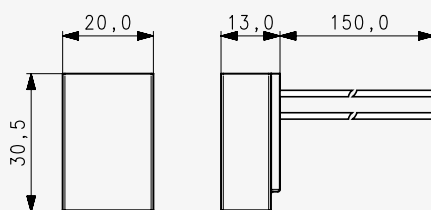
CZ-275-A

SPD Type 3 – Module of Surge Protection acoustic fault signalling

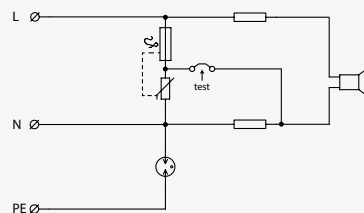
- SPD for additional installation to devices or equipments
- installation to LV installations, close to protected equipment
- for protection of all LV equipments against surge voltage
- non-symmetrical connection



Dimensions



Basic circuit diagram



Parameter / Type		CZ-275-A
Nominal voltage	U_n	230 V AC
Maximum operating voltage L-N	U_c	275 V AC
Maximum operating voltage N-PE	U_c	255 V AC
Nominal discharge current (8/20 μ s) L-N	I_n	3 kA
Nominal discharge current (8/20 μ s) N-PE	I_n	3 kA
Test voltage L-N	U_{oc}	6 kV
Test voltage N-PE	U_{oc}	6 kV
Voltage protection level mode L-N	U_p	1,35 kV
Voltage protection level mode N-PE	U_p	1,5 kV
Short-circuit current rating	I_{SCCR}	1,5 kA
Maximum overcurrent protection		B 16 A
Response time L-N	t_a	25 ns
Response time N-PE	t_a	100 ns
Fault indication		acoustic signalling
Degree of protection		IP 20
Range of operating temperatures (min/max)		-20 °C / 70 °C
Mounting		installation box
According to standard		EN 61643-11:2012, IEC 61643-11:2011 / T3
Ordering number		A05957

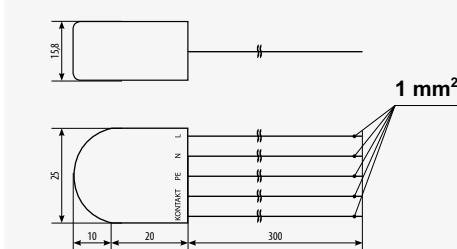
DA-275 CZS

SPD Type 3 – Module of Surge Protection remote fault signalling

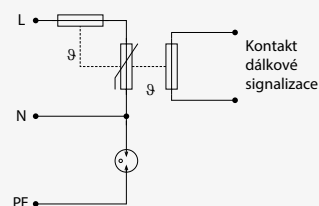
- SPD for additional installation to devices or equipments
- installation to LV installations, close to protected equipment
- for protection of all LV equipments against surge voltage
- non-symmetrical connection
- remote fault signalling (S)



Dimensions



Basic circuit diagram



Parameter / Type		DA-275 CZS
Nominal voltage	U_n	230 V AC
Maximum operating voltage	U_c	275 V AC
Nominal discharge current (8/20 μ s) L-N	I_n	3 kA
Nominal discharge current (8/20 μ s) N-PE	I_n	3 kA
Test voltage L-N	U_{oc}	6 kV
Test voltage N-PE	U_{oc}	6 kV
Voltage protection level mode L-N	U_p	1,35 kV
Voltage protection level mode N-PE	U_p	1,5 kV
Voltage protection level mode L-PE	U_p	1,5 kV
Short-circuit current rating	I_{SCCR}	1,5 kA
Maximum overcurrent protection		B 16 A
Response time L-N	t_a	25 ns
Response time N-PE	t_a	100 ns
Fault indication		open contact
Remote indication		potential-free open contact
Remote indication contacts		230 V / 0,5 A AC, 24 V / 0,5 A DC
Degree of protection		IP 20
Range of operating temperatures (min/max)		-40 °C / 80 °C
Mounting		installation box
According to standard		EN 61643-11:2012, IEC 61643-11:2011 / T3
Ordering number		A01916

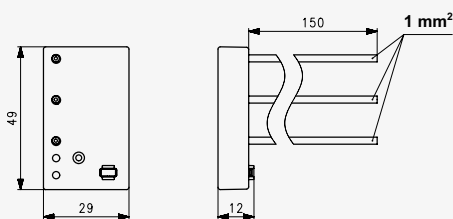
DA-275-A

SPD Type 3 – Module of Surge Protection acoustic fault signalling

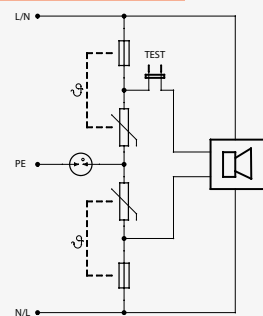
- SPD for additional installation to devices or equipments
- installation to LV installations, close to protected equipment
- for protection of all LV equipments against surge voltage
- can be used for single-phase power supply networks with isolation transformer, connection of L and N wires can be changed



Dimensions



Basic circuit diagram



Parameter / Type		DA-275-A
Nominal voltage	U_n	230 V AC
Maximum operating voltage	U_c	275 V AC
Nominal discharge current (8/20 μ s) L-N	I_n	2 kA
Nominal discharge current (8/20 μ s) N-PE	I_n	2 kA
Test voltage L-N	U_{oc}	4 kV
Test voltage N-PE	U_{oc}	4 kV
Test voltage L-PE	U_{oc}	4 kV
Voltage protection level mode L-N	U_p	1,5 kV
Voltage protection level mode N-PE	U_p	1,5 kV
Voltage protection level mode L-PE	U_p	1,5 kV
Short-circuit current rating	I_{SCCR}	1,5 kA
Maximum overcurrent protection		B 16 A
Response time L-N	t_a	25 ns
Response time N-PE	t_a	100 ns
Fault indication		acoustic signalling
Degree of protection		IP 20
Range of operating temperatures (min/max)		-20 °C / 70 °C
Mounting		installation box
According to standard		EN 61643-11:2012, IEC 61643-11:2011 / T3
Ordering number		A05958

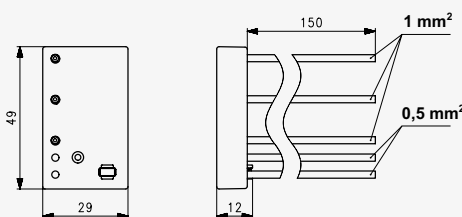
DA-275-S

SPD Type 3 – Module of Surge Protection remote fault signalling

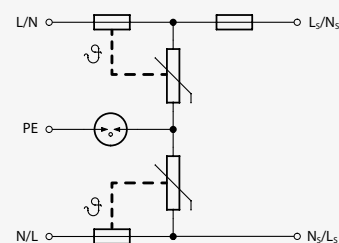
- SPD for additional installation to devices or equipments
- installation to LV installations, close to protected equipment
- for protection of all LV equipments against surge voltage
- can be used for single-phase power supply networks with isolation transformer, connection of L and N wires can be changed
- remote fault signalling (S)



Dimensions



Basic circuit diagram



Parameter / Type		DA-275-S
Nominal voltage	U_n	230 V AC
Maximum operating voltage	U_c	275 V AC
Nominal discharge current (8/20 μ s) L-N	I_n	2 kA
Nominal discharge current (8/20 μ s) N-PE	I_n	2 kA
Test voltage L-N	U_{oc}	4 kV
Test voltage N-PE	U_{oc}	4 kV
Test voltage L-PE	U_{oc}	4 kV
Voltage protection level mode L-N	U_p	1,5 kV
Voltage protection level mode N-PE	U_p	1,5 kV
Voltage protection level mode L-PE	U_p	1,5 kV
Short-circuit current rating	I_{SCCR}	1,5 kA
Maximum overcurrent protection		B 16 A
Response time L-N	t_a	25 ns
Response time N-PE	t_a	100 ns
Fault indication		loss of voltage
Remote indication		potential open contact
Maximum current of signalling		1 A
Degree of protection		IP 20
Range of operating temperatures (min/max)		-40 °C / 80 °C
Mounting		installation box
According to standard		EN 61643-11:2012, IEC 61643-11:2011 / T3
Ordering number		A05959

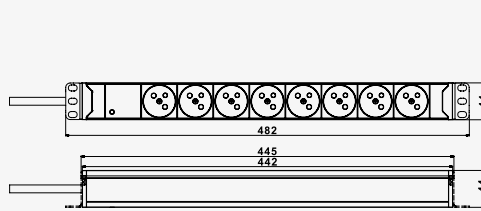
RACK-PROTECTOR-...-1U

SPD Type 3 – Multiple Socket with Surge Protection for 19" RACK visual fault signalling

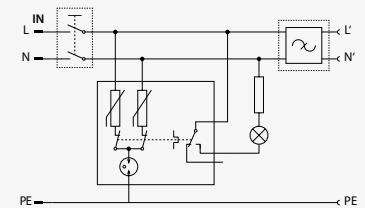
- variants with/without on/off switch and with/without RFI filter
- with French type (earthing pin) and Euro type sockets
- for protection of information technological equipments against surge voltage
- mounting height 1U
- 3 m power supply cord, CEE 7/7 type plug
- X8: SPD Type 3, 8 sockets
- VX7: SPD Type 3, on/off switch, 7 sockets
- F6: SPD Type 3, RFI filter, 6 sockets
- VF5: SPD Type 3, RFI filter, on/off switch, 5 sockets
- EURO-X12: SPD Type 3, 12 Euro sockets



Dimensions



Basic circuit diagram



Parameter / Type		RACK-PROTECTOR-X8-1U	RACK-PROTECTOR-VX7-1U	RACK-PROTECTOR-F6-1U	RACK-PROTECTOR-VF5-1U	RACK-PROTECTOR-EURO-X12-1U
Nominal voltage	U_n	230 V AC	230 V AC	230 V AC	230 V AC	230 V AC
Maximum operating voltage	U_c	275 V AC	275 V AC	275 V AC	275 V AC	275 V AC
Nominal load current	I_L	16 A	16 A	16 A	16 A	16 A
Nominal discharge current (8/20 μ s) L-N	I_n	3 kA	3 kA	3 kA	3 kA	3 kA
Nominal discharge current (8/20 μ s) N-PE	I_n	3 kA	3 kA	3 kA	3 kA	3 kA
Nominal discharge current (8/20 μ s) L+N-PE	I_n	5 kA	5 kA	5 kA	5 kA	5 kA
Test voltage L-N	U_{oc}	6 kV	6 kV	6 kV	6 kV	6 kV
Test voltage N-PE	U_{oc}	6 kV	6 kV	6 kV	6 kV	6 kV
Test voltage L+N-PE	U_{oc}	10 kV	10 kV	10 kV	10 kV	10 kV
Voltage protection level mode L-N	U_p	1,2 kV	1,2 kV	1,2 kV	1,2 kV	1,2 kV
Voltage protection level mode N-PE	U_p	1,5 kV	1,5 kV	1,5 kV	1,5 kV	1,5 kV
Voltage protection level mode L-PE	U_p	1,5 kV	1,5 kV	1,5 kV	1,5 kV	1,5 kV
Short-circuit current rating	I_{SCCR}	6 kA	6 kA	6 kA	6 kA	6 kA
Maximum overcurrent protection		16 A gL/gG or C 16 A	16 A gL/gG or C 16 A	16 A gL/gG or C 16 A	16 A gL/gG or C 16 A	16 A gL/gG or C 16 A
Response time L-N	t_a	25 ns	25 ns	25 ns	25 ns	25 ns
Response time N-PE	t_a	100 ns	100 ns	100 ns	100 ns	100 ns
VF filter		-	-	yes	yes	-
Filter attenuation at 1MHz (50 Ω /50 Ω) unsymmetrical		-	-	30 dB	30 dB	-
Fault indication		red indicator	red indicator	red indicator	red indicator	red indicator
Degree of protection		IP 40	IP 40	IP 40	IP 40	IP 20
Range of operating temperatures (min/max)		-40 °C / 80 °C	-40 °C / 80 °C	-40 °C / 80 °C	-40 °C / 80 °C	-40 °C / 80 °C
Mounting		19" rack	19" rack	19" rack	19" rack	19" rack
According to standard		EN 61643-11:2012, IEC 61643-11:2011 / T3				
Ordering number		A05872	A05873	A05874	A05875	A05961

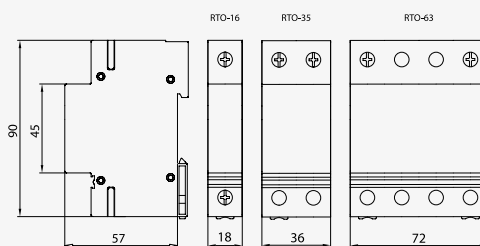
RTO-...

Surge separating inductor

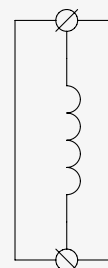
- coupling impedance
- for coordination of SPDs Type 1 and 2 or Type 2 and 3



Dimensions

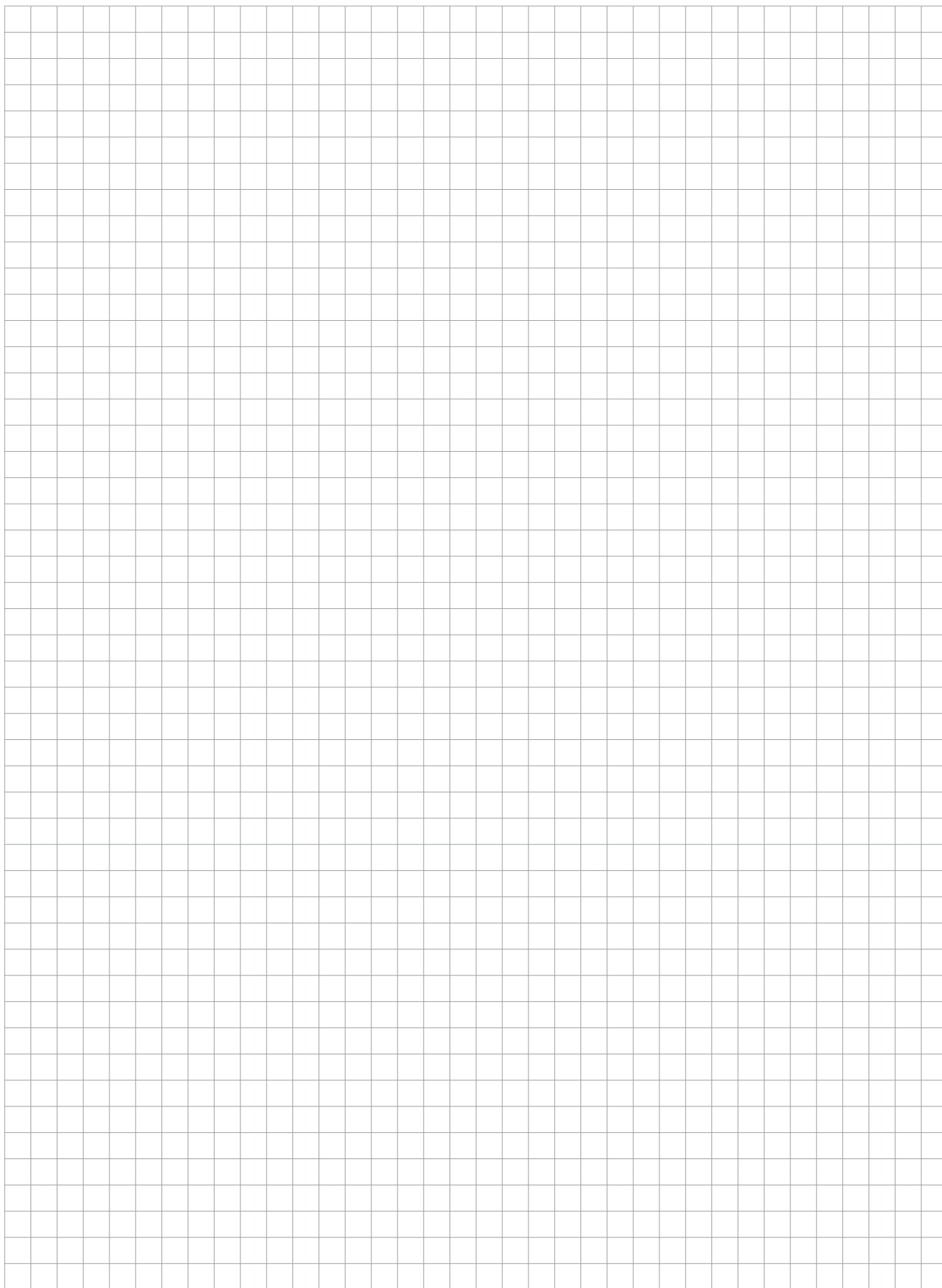


Basic circuit diagram



Parameter / Type		RTO-16	RTO-35	RTO-63
Nominal voltage	U_n	500 V AC	500 V AC	500 V AC
Frequency	f	50 Hz	50 Hz	50 Hz
Nominal load current	I_L	16 A	35 A	63 A
Maximum overcurrent protection		16 A gL/gG or C 16 A	35 A gL/gG or C 35 A	63 A gL/gG or C 63 A
Resistance	R	5 mΩ	2,5 mΩ	2 mΩ
Inductance	L	10 μH	10 μH	10 μH
Power loss at I_L		1,28 W	3 W	8 W
Cross-section of connected conductors solid (min/max)		1 mm ² / 50 mm ²	1 mm ² / 50 mm ²	1 mm ² / 50 mm ²
Cross-section of connected conductors stranded (min/max)		1 mm ² / 35 mm ²	1 mm ² / 35 mm ²	1 mm ² / 35 mm ²
Degree of protection		IP 20	IP 20	IP 20
Range of operating temperatures (min/max)		-40 °C / 80 °C	-40 °C / 80 °C	-40 °C / 80 °C
Mounting		DIN rail 35 mm	DIN rail 35 mm	DIN rail 35 mm
Ordering number		A01432	A01433	A01434

Notes



Surge Protective Devices for LED lights



- Lighting systems with LED technology
- Street lighting
- Traffic lights
- Lighting of industry facilities

- DA-320-LED
- SP-T2+T3-320-Y-CLT-LED

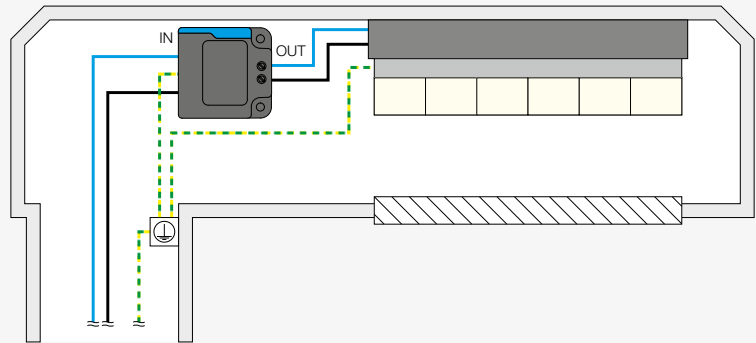
Protection of (street) lighting

Current requirements for the quality of lighting and energy efficiency bring frequent use of LED technology. Such technologies offer a long service life under standard operating conditions which corresponds to higher investment costs. Electronic control devices of LED lighting are considerably more sensitive to high voltage impulses than, for example, gas discharge tube lighting. Overvoltage in these installations is usually higher than the required withstand impulse voltage of electronic lighting equipment. Overvoltage protection is also necessary due to large-scale installations of street lighting and lighting in large industrial factories, which increase the risk particularly of induced overvoltage caused by lightning strikes, failures and switching in distribution and transmission networks.

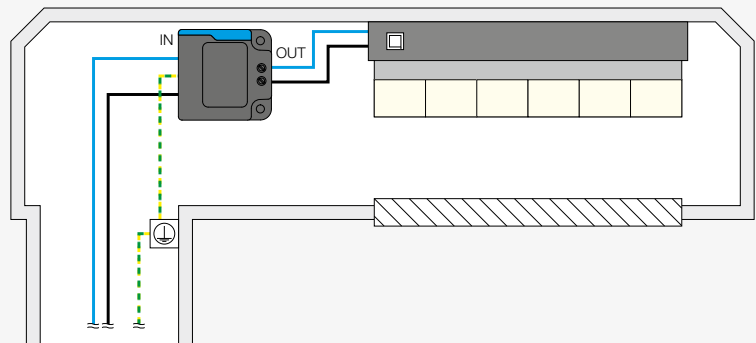
SPDs are recommended to be installed as close as possible to the light source. The **DA-320-LED** and **SP-T2+T3-320/Y-CLT-LED** types meet these requirements. Considering the risk and installation method it is also advisable to install FLP-12,5 V or SLP-275 arresters in supply distribution boards or at the bottom of the light pole. DA-320-LED and SP-T2+T3-320/Y-CLT-LED meet the requirements of the IEEE (ANSI) C62.41.2 standard concerning C location - outside a structure (building). These requirements are stipulated in this standard for situations where overvoltage protection is also provided at the entrance of the wiring, i.e., at the connecting point to the distribution system. If a light source class II equipment, SPDs are connected at the interface of the wiring and the electrical equipment. Also in this case, an SPD will be connected to protective earth (PE). These SPDs can also be used to protect other electrical equipment whose wiring is similar to lighting wiring.

The DA-320-LED and SP-T2+T3-320/Y-CLT-LED types are designed as transit modules with the priority placed on protection. If the SPD is damaged, the light source will be disconnected from the supply and not illuminate. This simple method makes it possible to locate the fault. These SPDs can also be connected in parallel to the protected circuit and the SPD output used to signal the SPD status.

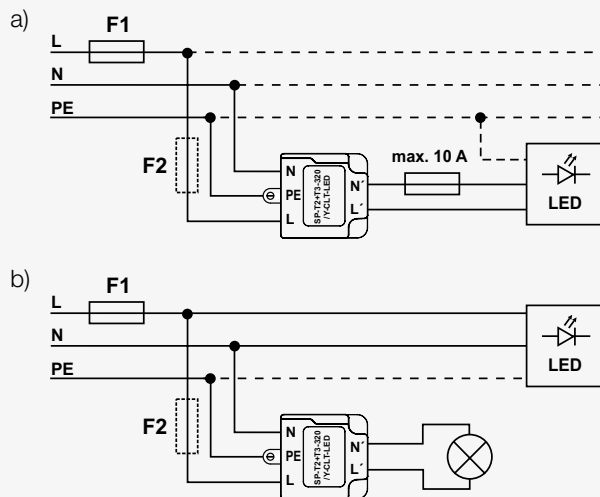
pic. 01 Wiring of SPD to Class I equipment



pic. 02 Wiring of SPD to Class II equipment



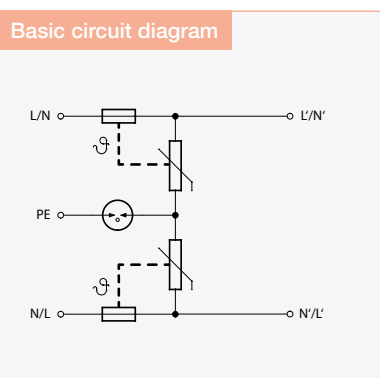
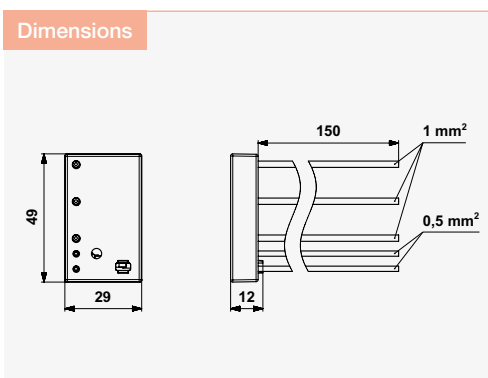
pic. 03 Wiring of SPD: a) transit (priority of protection), b) parallel (priority of supply)



DA-320-LED

SPD Type 3 – Module of Surge Protection for LED lights
 fault signalling by supply interruption

- surge protection especially for LED lights
- installation close to protected equipment in LV power circuits
- also for equipment in external part of building with low exposure level (according to IEEE C62.41.2)



Parameter / Type		DA-320-LED
Nominal voltage	U_n	230 V AC
Maximum operating voltage	U_c	320 V AC
Nominal load current	I_L	5 A
Nominal discharge current (8/20 μ s) L-N	I_n	3 kA
Nominal discharge current (8/20 μ s) N-PE	I_n	3 kA
Nominal discharge current (8/20 μ s) L+N-PE	I_n	5 kA
Test voltage L-N	U_{oc}	6 kV
Test voltage N-PE	U_{oc}	6 kV
Test voltage L+N-PE	U_{oc}	10 kV
Test voltage L-PE	U_{oc}	6 kV
Voltage protection level mode L-N	U_p	1,65 kV
Voltage protection level mode N-PE	U_p	1,5 kV
Voltage protection level mode L-PE	U_p	1,5 kV
Short-circuit current rating	I_{SCCR}	1,5 kA
Maximum overcurrent protection		16 A gL/gG or B 16 A
Response time L-N	t_a	25 ns
Response time N-PE	t_a	100 ns
Fault indication		loss of voltage
Degree of protection		IP 20
Range of operating temperatures (min/max)		-40 °C / 80 °C
Mounting		installation box
According to standard		EN 61643-11:2012, IEC 61643-11:2011 / T3
Ordering number		A05876

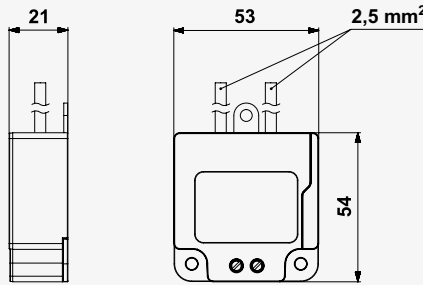
SP-T2+T3-320/Y-CLT-LED

SPD Type 2 and Type 3 – Module of Surge Arrester for LED lights
 fault signalling by supply interruption

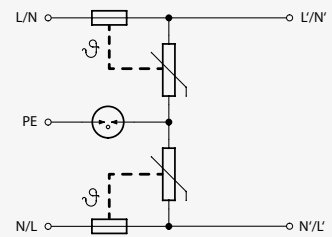
- surge arrester especially for LED lights
- also for equipment in external part of building with high exposure level (according to IEEE C62.41.2)
- installation close to protected equipment in LV power circuits



Dimensions



Basic circuit diagram



Parameter / Type	SP-T2+T3-320-Y-CLT-LED	
Nominal voltage	U_n	230 V AC
Maximum operating voltage	U_c	320 V AC
Nominal load current	I_L	10 A
Nominal discharge current (8/20 μ s) L-N	I_n	5 kA
Nominal discharge current (8/20 μ s) N-PE	I_n	5 kA
Maximum discharge current (8/20 μ s) L-N	I_{max}	10 kA
Maximum discharge current (8/20 μ s) N-PE	I_{max}	10 kA
Test voltage L-N	U_{oc}	10 kV
Test voltage N-PE	U_{oc}	10 kV
Test voltage L-PE	U_{oc}	10 kV
Voltage protection level mode L-N	U_p	1,3 kV
Voltage protection level mode N-PE	U_p	1,5 kV
Voltage protection level mode L-PE	U_p	1,5 kV
Short-circuit current rating	I_{SCCR}	3 kA
Maximum overcurrent protection		32 A gL/gG or C 32 A
Response time L-N	t_a	25 ns
Response time N-PE	t_a	100 ns
Cross-section of connected conductors solid (max)		2,5 mm ²
Cross-section of connected conductors stranded (max)		1,5 mm ²
Fault indication		loss of voltage, dark grey indication field
Degree of protection		IP 20
Range of operating temperatures (min/max)		-40 °C / 80 °C
According to standard		EN 61643-11:2012, IEC 61643-11:2011 / T2,T3
Ordering number		A06044

Surge Protective Devices for photovoltaic systems



- Protection of PV inverters for photovoltaic systems
- PV solution for family houses
- PV plants
- Protection of off-grid solar inverters
- Protection of battery charges
- Lightning arrester SPD PV Type 1 and 2
- Surge arrester SPD PV Type 2

Protection of photovoltaic systems

Photovoltaic arrays are costly to install and demanding in terms of technology. Their service life must be measured in decades to see a return on the invested funds. Manufacturers usually provide about a twenty-year guarantee for photovoltaic systems.

To provide trouble-free technology throughout its service life, it is necessary to include comprehensive protection against atmospheric and induced overvoltage at the design stage to implement the technology into the project. Protection must be provided not only at the output side of the inverter, but also at the photovoltaic panels.

Solar photovoltaic arrays are usually installed on rooftops, or on a "greenfield".

As for the anticipated risks (pursuant to EN 62305-2), direct or near lightning strikes are considered. Overvoltage or lightning strike can bring about financial loss, and for photovoltaic systems installed on rooftops where individuals could be working, injury should also be considered.

Photovoltaic system designs, including lightning and overvoltage suppression, shall comply with the HD 60364-7-712 standard (Electrical installations of buildings – Solar photovoltaic (PV) systems), technical specification CLC/TS 50539-12 (SPD for specific application including DC – Selection and application principles – SPDs connected to PV installations) and standard EN 62305 (Lightning protection).

The core (key device) of the whole photovoltaic system is the inverter, so the lightning and surge protection should be focused

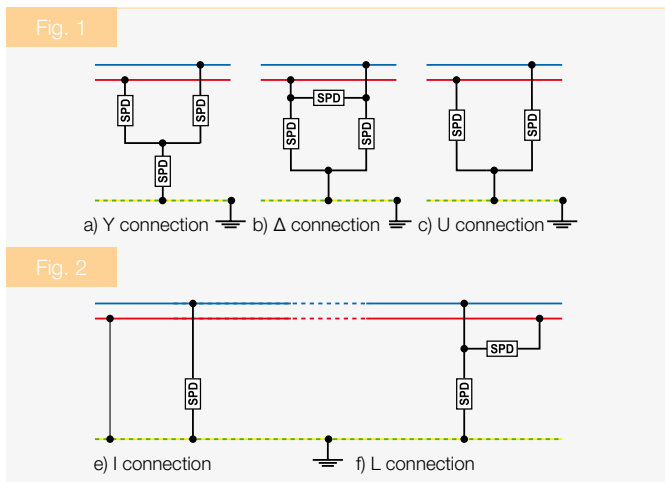
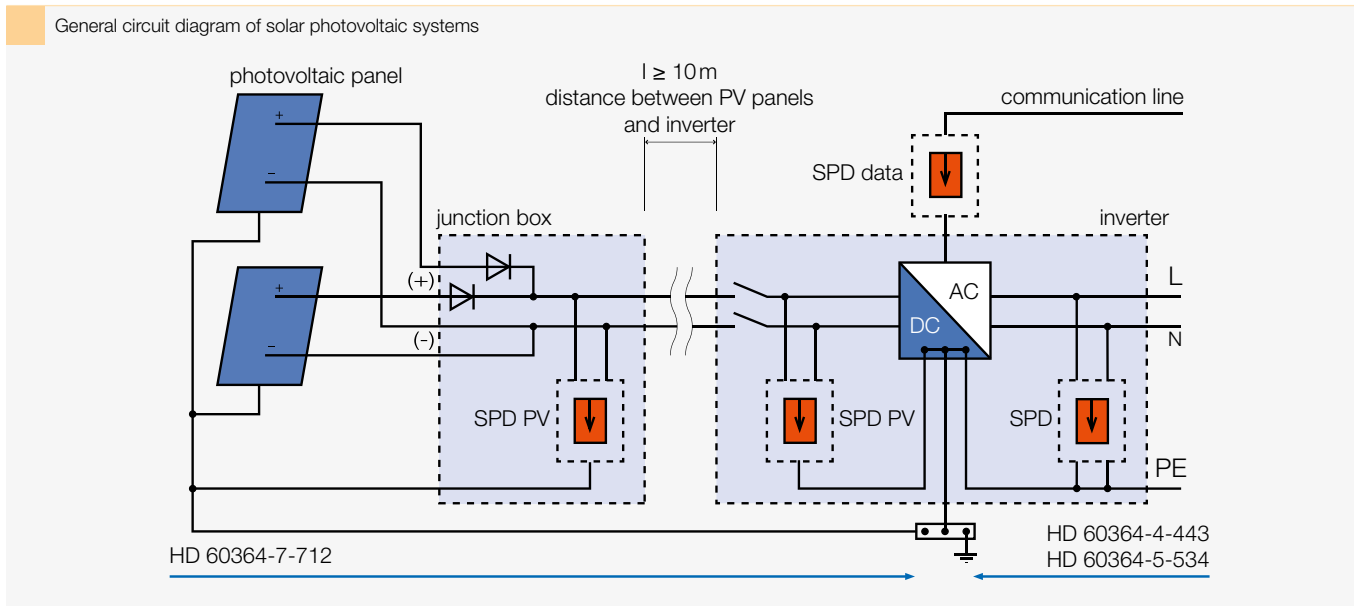
on the inverter and, it should be incorporated into the whole lightning and surge protection system. Furthermore, photovoltaic units and their bearing metal structures should be integrated into the grounding design.

SPD selection for DC side:

- U_{CPV} maximum continuous operating voltage
- U_{OCSTC} standardized test circuit voltage of PV String

$$U_{CPV} \geq 1,2 \times U_{OCSTC}$$

- If separating spark-over distance "s" is kept
 - SPD PV Type 2 is installed
 - If distance "l" between PV modules and inverter is longer than 10m - SPD is installed on both sides of the DC line
- If separating spark-over distance "s" is not kept
 - SPD PV Type 1 and Type 2 is installed
 - It is always necessary to install SPD PV on both sides of the DC line



The DC side of the PV system can either be unearthed (insulated) or with one pole earthed. Figures 1 and 2 (see CLC/TS 50 539-12) show how SPDs on the DC side must be connected.

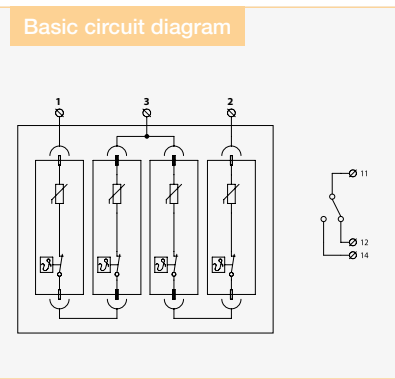
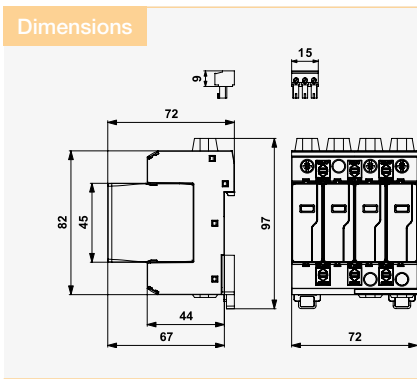
When mounting an SPD, the necessary length of the connecting conductors should be complied with HD 60364-5-534 (IEC 60364-5-53, chapter 534), clause 534.2.9.

FLP-PV550 V/U (S)

SPD PV Type 1 and Type 2 – Lightning Current Arrester and Surge Arrester for PV systems

pluggable module, visual fault signalling, module locking

- varistor lightning current arrester and surge arrester in 'U' connection
- for protection of PV systems on the roofs, where the separating spark-over distance is not kept (connection to LPS)
- maximum continuous operating voltage for PV application: $U_{CPV} \geq 1.2 \times U_{OC,STC}$
- optional remote fault signalling (S)



Parameter / Type		FLP-PV550 V/U	FLP-PV550 V/U S
Maximum operating voltage mode 1/2 I-connection	U_{CPV}	1 120 V DC	1 120 V DC
Maximum operating voltage mode 1/3, 2/3	U_{CPV}	560 V DC	560 V DC
Total discharge current (10/350 μ s)	I_{Total}	25 kA	25 kA
Nominal discharge current (8/20 μ s)	I_n	30 kA	30 kA
Maximum discharge current (8/20 μ s)	I_{max}	60 kA	60 kA
Voltage protection level mode 1/2	U_p	4,8 kV	4,8 kV
Voltage protection level mode 1/3, 2/3	U_p	2,4 kV	2,4 kV
Short-circuit current rating	I_{SCPV}	1 000 A DC	1 000 A DC
Response time	t_a	25 ns	25 ns
Cross-section of connected conductors solid (min/max)		1 mm ² / 35 mm ²	1 mm ² / 35 mm ²
Cross-section of connected conductors stranded (min/max)		1 mm ² / 25 mm ²	1 mm ² / 25 mm ²
Fault indication		red indication field	red indication field
Remote indication		-	potential-free change-over contact
Remote indication contacts		-	250 V / 0,5 A AC, 250 V / 0,1 A DC
Cross-section of remote indication conductors		-	1,5 mm ²
Degree of protection		IP 20	IP 20
Range of operating temperatures (min/max)		-40 °C / 80 °C	-40 °C / 80 °C
Mounting		DIN rail 35 mm	DIN rail 35 mm
According to standard		EN 50539-11:2013 / PV T1, PV T2	EN 50539-11:2013 / PV T1, PV T2
Ordering number		A06145	A06146

Spare module	FLP-PV275U V/U	FLP-PV275U V/U
Ordering number	A06147	A06147

Photovoltaic systems

FLP-PV1000 V(S)/Y

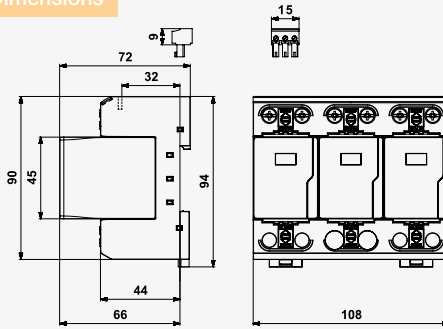
SPD PV Type 1 and Type 2 – Lightning Current Arrester and Surge Arrester for PV systems

pluggable module, visual fault signalling, module locking

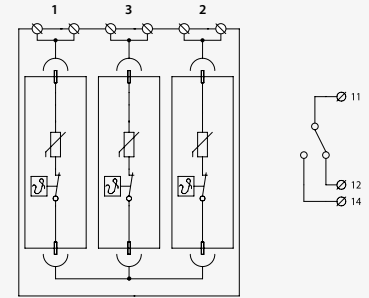
- varistor lightning current arrester and surge arrester in 'Y' connection
- for protection of PV systems on the roofs, where the separating spark-over distance is not kept (connection to LPS)
- maximum continuous operating voltage for PV application: $U_{CPV} \geq 1.2 \times U_{OC,STC}$
- optional remote fault signalling (S)



Dimensions



Basic circuit diagram



Parameter / Type	FLP-PV1000 V/Y	FLP-PV1000 VS/Y
Maximum operating voltage mode 1/3, 2/3	U_{CPV}	1 000 V DC
Lightning impulse current (10/350 μ s)	I_{imp}	12,5 kA
Nominal discharge current (8/20 μ s)	I_n	30 kA
Maximum discharge current (8/20 μ s)	I_{max}	60 kA
Voltage protection level mode 1/2	U_p	3,6 kV
Voltage protection level mode 1/3, 2/3	U_p	3,6 kV
Short-circuit current rating	I_{SCPV}	1 000 A DC
Response time	t_a	25 ns
Cross-section of connected conductors solid (min/max)		2,5 mm ² / 50 mm ²
Cross-section of connected conductors stranded (min/max)		2,5 mm ² / 35 mm ²
Fault indication		red indication field
Remote indication	-	potential-free change-over contact
Remote indication contacts	-	250 V / 0,5 A AC, 250 V / 0,1 A DC
Cross-section of remote indication conductors	-	1,5 mm ²
Degree of protection		IP 20
Range of operating temperatures (min/max)		-40 °C / 80 °C
Mounting		DIN rail 35 mm
According to standard		EN 50539-11:2013 / PV T1, PV T2
Ordering number	A04059	A04058

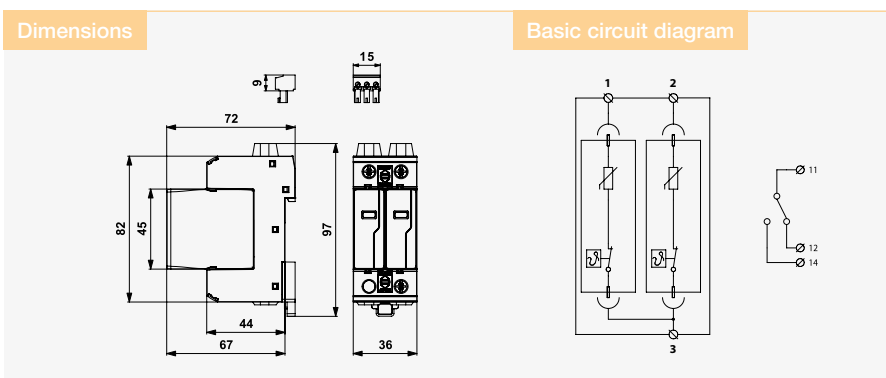
Spare module	FLP-PV500Y V/O	FLP-PV500Y V/O
Ordering number	A04211	A04211

SLP-PV... V/U (S)

SPD PV Type 2 – Surge Arrester for PV systems

pluggable module, visual fault signalling, module locking

- varistor surge arrester in 'U' connection
- for protection of PV systems where the separating spark-over distance is kept or without LPS
- maximum continuous operating voltage for PV application: $U_{CPV} \geq 1.2 \times U_{OC\ STC}$
- optional remote fault signalling (S)



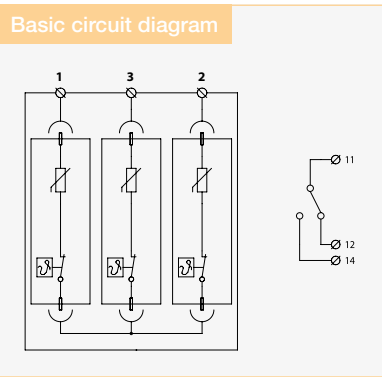
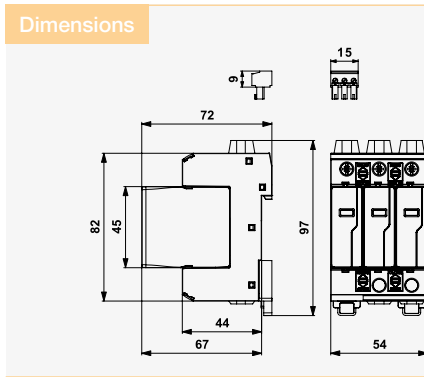
Parameter / Type		SLP-PV170 V/U	SLP-PV170 V/U S	SLP-PV500 V/U	SLP-PV500 V/U S
Maximum operating voltage mode 1/2 I-connection	U_{CPV}	340 V DC	340 V DC	1 020 V DC	1 020 V DC
Maximum operating voltage mode 1/3, 2/3	U_{CPV}	170 V DC	170 V DC	510 V DC	510 V DC
Nominal discharge current (8/20 μ s)	I_n	15 kA	15 kA	15 kA	15 kA
Maximum discharge current (8/20 μ s)	I_{max}	40 kA	40 kA	40 kA	40 kA
Voltage protection level mode 1/2	U_p	1,2 kV	1,2 kV	4 kV	4 kV
Voltage protection level mode 1/3, 2/3	U_p	0,6 kV	0,6 kV	2 kV	2 kV
Short-circuit current rating	I_{SCPV}	1 000 A DC	1 000 A DC	1 000 A DC	1 000 A DC
Response time	t_a	25 ns	25 ns	25 ns	25 ns
Cross-section of connected conductors solid (min/max)		1 mm ² / 35 mm ²	1 mm ² / 35 mm ²	1 mm ² / 35 mm ²	1 mm ² / 35 mm ²
Cross-section of connected conductors stranded (min/max)		1 mm ² / 25 mm ²	1 mm ² / 25 mm ²	1 mm ² / 25 mm ²	1 mm ² / 25 mm ²
Fault indication		red indication field	red indication field	red indication field	red indication field
Remote indication		-	potential-free change-over contact	-	potential-free change-over contact
Remote indication contacts		-	250 V / 0,5 A AC, 250 V / 0,1 A DC	-	250 V / 0,5 A AC, 250 V / 0,1 A DC
Cross-section of remote indication conductors		-	1,5 mm ²	-	1,5 mm ²
Degree of protection		IP 20	IP 20	IP 20	IP 20
Range of operating temperatures (min/max)		-40 °C / 80 °C	-40 °C / 80 °C	-40 °C / 80 °C	-40 °C / 80 °C
Mounting		DIN rail 35 mm	DIN rail 35 mm	DIN rail 35 mm	DIN rail 35 mm
According to standard		EN 50539-11:2013 / PV T2	EN 50539-11:2013 / PV T2	EN 50539-11:2013 / PV T2	EN 50539-11:2013 / PV T2
Ordering number		A03662	A03663	A03664	A03665

Spare module	SLP-PV170U V/U	SLP-PV170U V/U S	SLP-PV500U V/U	SLP-PV500U V/U S
Ordering number	A03692	A03692	A03694	A03694

SLP-PV... V/Y (S)

SPD PV Type 2 – Surge Arrester for PV systems
 pluggable module, visual fault signalling, module locking

- varistor surge arrester in 'Y' connection
- for protection of PV systems where the separating spark-over distance is kept or without LPS
- maximum continuous operating voltage for PV application: $U_{CPV} \geq 1.2 \times U_{OC,STC}$
- optional remote fault signalling (S)



Parameter / Type		SLP-PV700 V/Y	SLP-PV700 V/Y S	SLP-PV1000 V/Y	SLP-PV1000 V/Y S	SLP-PV1500 V/Y	SLP-PV1500 V/Y S
Maximum operating voltage mode 1/3, 2/3	U_{CPV}	750 V DC	750 V DC	1 020 V DC	1 020 V DC	1 500 V DC	1 500 V DC
Nominal discharge current (8/20 μ s)	I_n	20 kA	20 kA	15 kA	15 kA	15 kA	15 kA
Maximum discharge current (8/20 μ s)	I_{max}	40 kA	40 kA	40 kA	40 kA	40 kA	40 kA
Voltage protection level mode 1/2	U_p	3,6 kV	3,6 kV	4 kV	4 kV	6,4 kV	6,4 kV
Voltage protection level mode 1/3, 2/3	U_p	3,6 kV	3,6 kV	4 kV	4 kV	6,4 kV	6,4 kV
Short-circuit current rating	I_{SCPV}	1 000 A DC	1 000 A DC	1 000 A DC	1 000 A DC	1 000 A DC	1 000 A DC
Response time	t_a	25 ns	25 ns	25 ns	25 ns	25 ns	25 ns
Residual current mode 1/3, 2/3	I_{PE}	-	-	-	-	0,15 mA AC	0,15 mA AC
Residual current mode 1/3, 2/4	I_{PE}	-	-	-	-	0,0008 mA DC	0,0008 mA DC
Cross-section of connected conductors solid (min/max)		1 mm ² / 35 mm ²	1 mm ² / 35 mm ²	1 mm ² / 35 mm ²	1 mm ² / 35 mm ²	1 mm ² / 35 mm ²	1 mm ² / 35 mm ²
Cross-section of connected conductors stranded (min/max)		1 mm ² / 25 mm ²	1 mm ² / 25 mm ²	1 mm ² / 25 mm ²	1 mm ² / 25 mm ²	1 mm ² / 25 mm ²	1 mm ² / 25 mm ²
Fault indication		red indication field	red indication field	red indication field	red indication field	red indication field	red indication field
Remote indication		-	potential-free change-over contact	-	potential-free change-over contact	-	potential-free change-over contact
Remote indication contacts		-	250 V / 0,5 A AC, 250 V / 0,1 A DC	-	250 V / 0,5 A AC, 250 V / 0,1 A DC	-	250 V / 0,5 A AC, 250 V / 0,1 A DC
Cross-section of remote indication conductors		-	1,5 mm ²	-	1,5 mm ²	-	1,5 mm ²
Degree of protection		IP 20	IP 20	IP 20	IP 20	IP 20	IP 20
Range of operating temperatures (min/max)		-40 °C / 80 °C	-40 °C / 80 °C	-40 °C / 80 °C	-40 °C / 80 °C	-40 °C / 80 °C	-40 °C / 80 °C
Mounting		DIN rail 35 mm	DIN rail 35 mm	DIN rail 35 mm	DIN rail 35 mm	DIN rail 35 mm	DIN rail 35 mm
According to standard		EN 50539-11:2013 / PV T2					
Ordering number		A03668	A03669	A03670	A03671	A06036	A06037

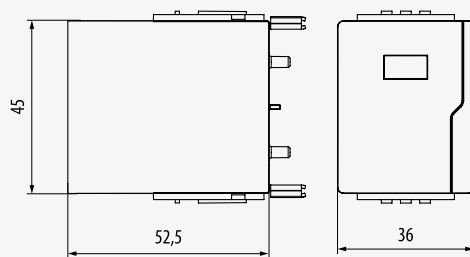
Spare module	SLP-PV350Y V/O	SLP-PV350Y V/O	SLP-PV500Y V/O	SLP-PV500Y V/O	SLP-PV750Y V/O	SLP-PV750Y V/O
Ordering number	A03744	A03744	A03736	A03736	A06040	A06040

FLP-PV... V/0, SLP-PV... V/0

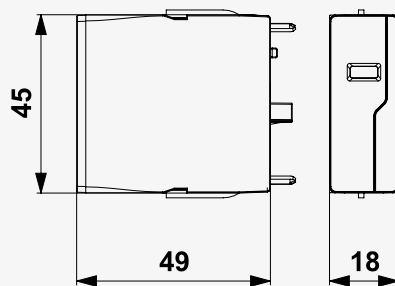
Spare modules for SPDs PV Type 1+2 and Type 2



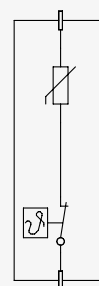
Dimensions



FLP-PV500Y V/0

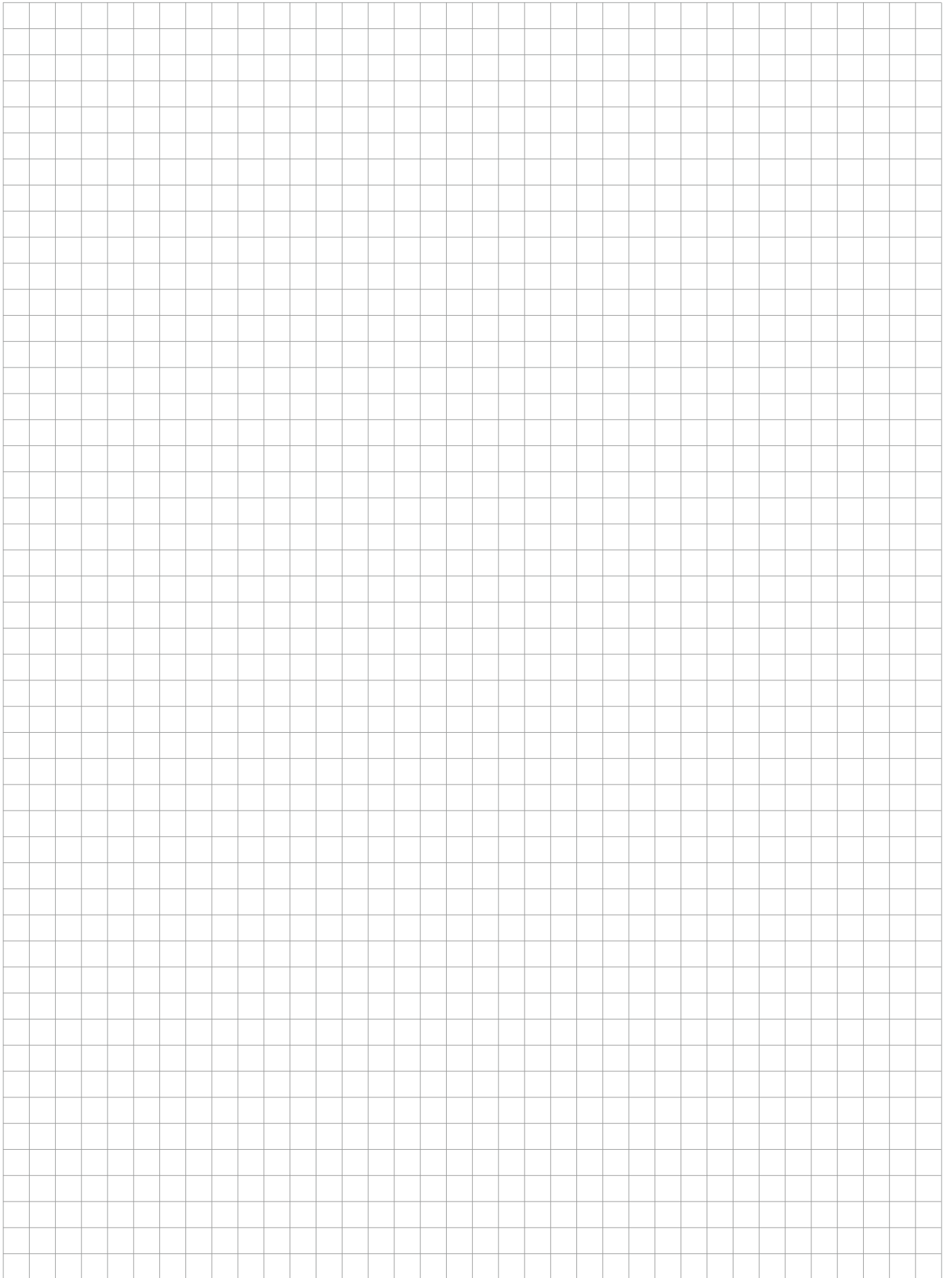


Basic circuit diagram



Type	Ordering number
FLP-PV275U V/0	A06147
FLP-PV500Y V/0	A04211
SLP-PV170U V/0	A03692
SLP-PV500U V/0	A03694
SLP-PV350Y V/0	A03744
SLP-PV500Y V/0	A03736
SLP-PV750Y V/0	A06040

Notes



SPDs for data/signalling/telecommunication networks



Data, signal and telecommunication networks



- Security, Fire Alarm and CCTV systems
- IP technology and data networks (Ethernet)
- ADSL and telecommunications
- Antennas
- Attendance systems
- Control systems for industry

- Lightning Current Arresters ST 1, ST 1+2+3
- Surge Arresters ST 2+3, ST 3

Data, signal and telecommunication protections

The basic principle for surge protection is the **complexity** and **coordination** of devices. The complexity requirement can be met only by installing surge arresters in all inputs and outputs (!) of the given equipment, i.e. it is necessary to protect the power supply line and also the measuring and communication interface. We can ensure coordination by installing devices with various protective effects in sequence into the line or the communication core and the interface.

Criteria to meet the requirement for complexity and coordination particularly include position of installation respective to LPZ boundary, maximum impulse or discharge current, required protection level and response time.

Fig. 1 shows the principle of protection coordination and protection complexity.

In order to select the correct type of dataline protection there must be detailed information about the protected signal:

- Signal voltage
- Signal current
- Frequency bandwidth – frequency and signal form
- Conduit in lightning protection zones (LPZ 0 to LPZ 2)
- Longitudinal impedance – maximum line attenuation
- Possibility of steady overvoltage (so-called high-ohm fault)

During the installation of all surge devices, strictly observe the elimination of the link between the input of the unprotected line and the output of the protected line and the earthing line. Examples of the most frequent installation errors concerning the link between the input and output of the protected line and earth are shown in Fig. 2. This figure also shows an example of correct wiring.

Potential balancing of pulse overvoltage must always proceed outside the protected equipment. Fig. 3 shows the correct wiring of surge arresters in a control system with external power source, communicating with the surroundings via a measuring and communication interface. Potential balancing via the protected equipment is inadmissible.

The table with principle of marking for easier orientation:

Transition from zones	Marking
LPZ 0 – LPZ 1	ST 1
LPZ 1 – LPZ 2	ST 2
LPZ 2 – LPZ 3	ST 3

Example of marking:

Product	Description	Marking
BD-250-T	lightning current arrester	ST 1
BDG-024-V/1-FR1	combined lightning and surge currents arrester	ST 1+2+3
DM-024/1 R DJ	combined surge protection	ST 2+3

Fig. 1 Principle of protection coordination and protection complexity

FLP – lightning current arrester class B
 SLP – surge arrester class C
 DA – surge protection class D
 BD-T – lightning current arrester
 DM – combined surge protection
 MaR – measurement and control room

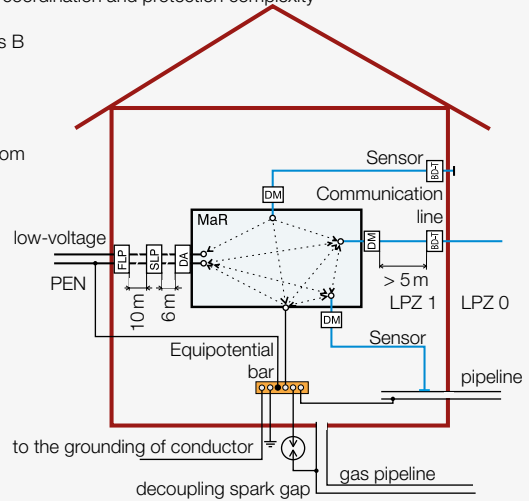


Fig. 2 Links between input and output line and earth connection

An unprotected input line should be removed from the protected output line as far as possible

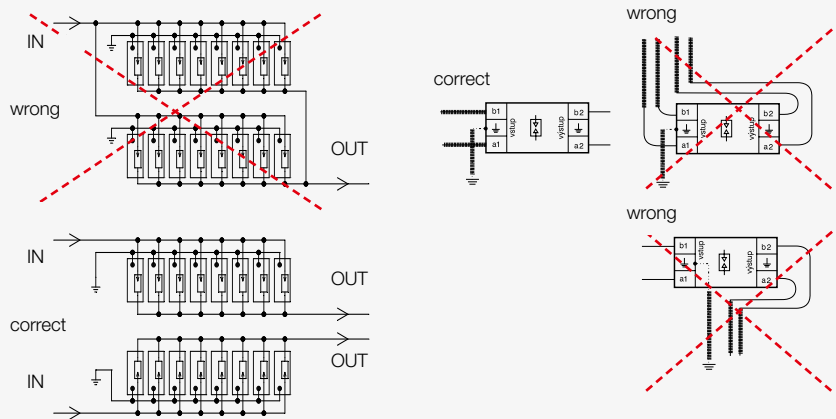
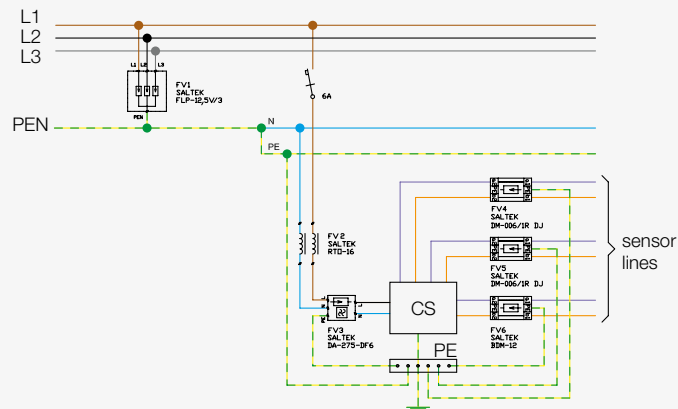


Fig. 3 Principle of the protection of control systems



The principle of placing the dataline protections

For easier placing of dataline protections SALTEK introduced a new type of categorization of dataline protections under SALTEK marking ST 1, ST 2 and ST 3. This new designation quite specifically define the placing of dataline protections within the principles of Zonal protection and complies with standards EN 61643-21 + A1 , A2 and EN 62305 - Zonal protection.

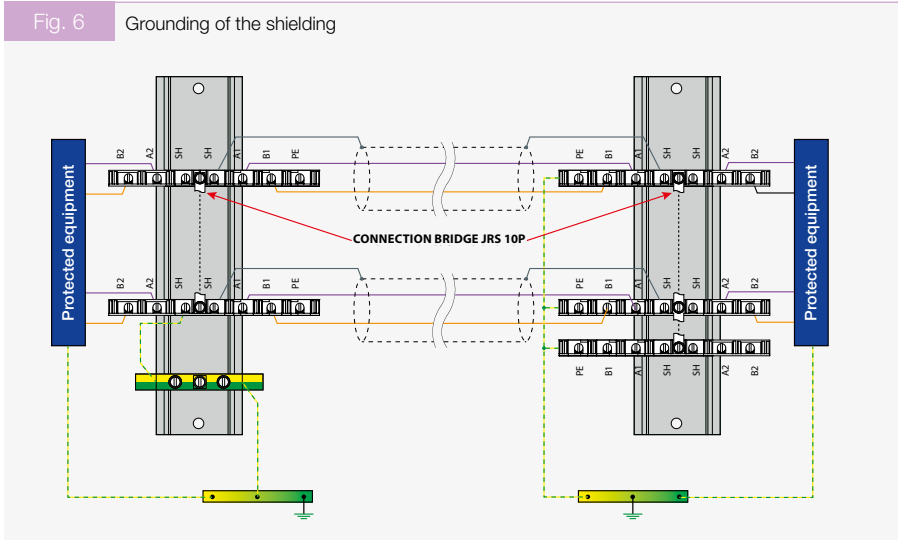
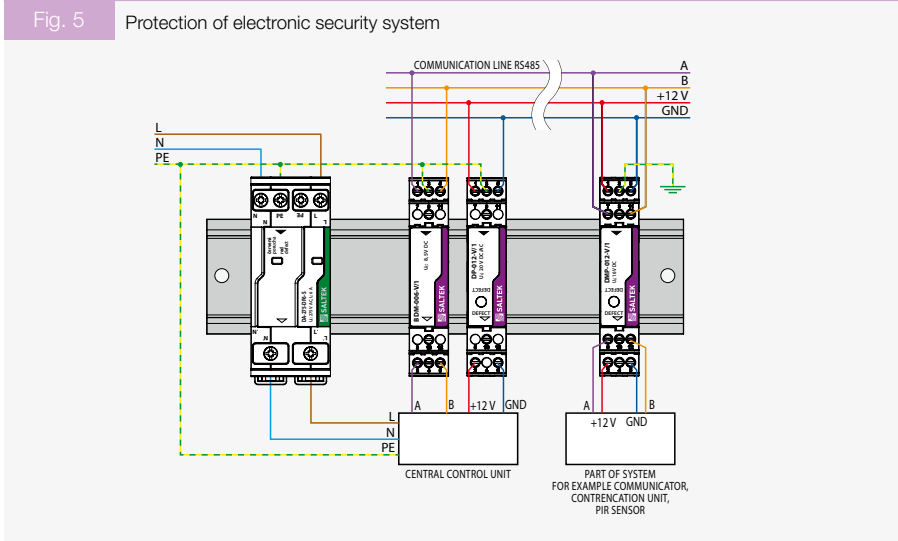
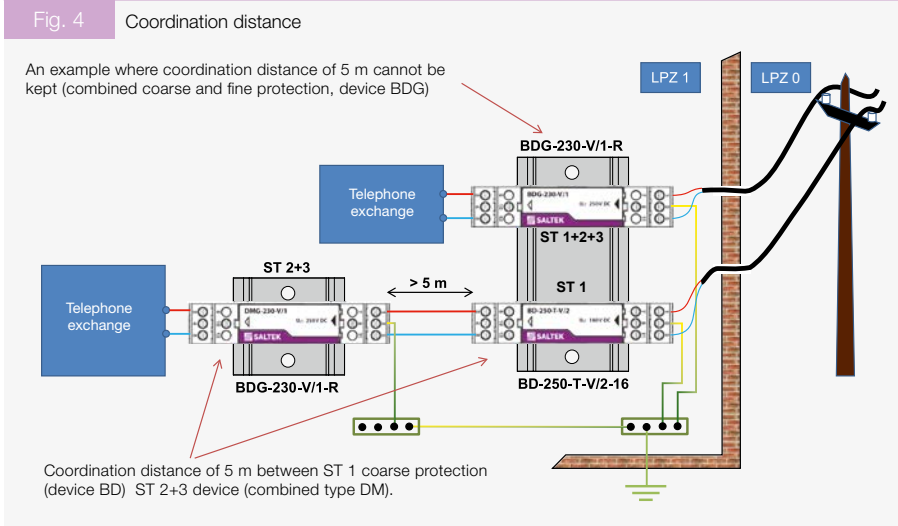
Another important thing to note is the fact that the majority of dataline protection is multi-type. The most commonly used protection is two-type, composed of second and third type (ST 2+3). This includes units of the DM line intended to protect communication lines which are inside the building.

For communication lines that go to the outside of the building (i.e. between LPZ 0 to LPZ 1), a combination of devices can be used, i.e. protection DM series (ST 2+3) and lightning current arrester BD type (ST 1) or three-type protection BDM series or BDG (ST 1+2+3) . On the Fig. 4 it is clearly shown which variant for which case is suitable.

Given that most of the dataline protection is a multi-type, it must be remembered that these are directional and must be fitted in the correct manor (installed in the correct direction). The communication line (wire) is connected to the input of dataline device and the output of dataline device is connected to the protected equipment as shown in Fig. 5. For comprehensive protection of communication and instrumentation systems, it is necessary that as well as protecting the measuring and datalines, the power supply line must be also protected. Protection of the AC power supply 230 V AC is shown in Fig. 3 (the principle of the protection of control system). When protecting small voltages, the DP units are used. These are adapted for protection of both AC and DC voltage. The signal lines often use shielded cables. The principle of grounding of shielding is shown in Fig. 6 (grounding of shielding)

Maintenance of protective devices

Surge protective devices from SALTEK do not require maintenance during its life-time. But it is appropriate to provide periodic inspection during the operation and remedy when any problem occurs. The damage of the dataline protection cause the interruption and/or permanent short circuit of the line.



Data, signal and telecommunication networks

SALTEK® SPD applications in data / signalling / telecommunication systems

MEASURING AND CONTROL TECHNOLOGY AND BUS SYSTEMS

Interface / Signal	Protected lines	U (DC) (V)	Discharge current per core		SPD xx – corresponding voltage	Mounting	Notes	
			10/350 µs	8/20 µs				
Current loop 0 ÷ 20 mA, 4 ÷ 20 mA	2	12/24	x	10 kA	DM-xx/1R DJ	DIN 35		
			x	5 kA	DM-xx/1-Ry*	DIN 35		
	2	12/24	x	5 kA	CLSA-xx	LSA plus	disconnection	
			2,5 kA	10 kA	BDM-xx-V/2-FR1	DIN 35	floating	
	4		x	10 kA	2pcs DM-xx/1 R DJ	DIN 35		
			x	5 kA	DMG-xx/1-Ry*	DIN 35	isolated signal ground	
	2	12/24	x	10 kA	DMG-xx/1R DJ	DIN 35	isolated signal ground	
	2	12/24	2,5 kA	10 kA	BDG-xx-V/1-FR1	DIN 35	isolated signal ground	
Binary signals	2	6 ÷ 230	x	5 kA	DMLF-024/1-Ry*	DIN 35		
			2,5 kA	10 kA	BDM-xx-V/1-FR1	DIN 35	floating	
			x	5 kA	CLSA-xx	LSA plus	disconnection	
BLN Building Level Network	2	15/48	2,5 kA	10 kA	BDM-xx-V/1-FR1	DIN 35	floating	
			x	10 kA	DM-xx/1R DJ	DIN 35		
TTL	2	12	2,5 kA	10 kA	BDM-012-V/1-FR1	DIN 35	floating	
			x	10 kA	DM-012/1R DJ	DIN 35		
RS-485 up to 1,5 Mbit/s	2	5	2,5 kA	10 kA	BDM-006-V/1-FR1	DIN 35	floating	
			x	10 kA	DM-006/1R DJ	DIN 35		
	3	5	x	10 kA	DM-006/3R DJ	DIN 35		
	3/4	5	2,5 kA	10 kA	BDG-006-V/1-4FR1	DIN 35	floating	
	4	5	x	10 kA	DM-006/4R DJ	DIN 35		
RS 485 combined with power line (e.g. security and fire alarm system)	2	12	x	10 kA	DMP-012-V/1-R1	DIN 35		
			x	10 kA	DMP-012-V/1-FR1	DIN 35	floating	
			x	10 kA	DMP-024-V/1-R1	DIN 35		
			x	10 kA	DMP-024-V/1-FR1	DIN 35	floating	
RS-422	2	5	2,5 kA	10 kA	BDM-006-V/1-FR1	DIN 35	floating	
			x	10 kA	DM-006/1R DJ	DIN 35		
	4	5	2,5 kA	10 kA	BDG-006-V/1-4FR1	DIN 35	floating	
			x	10 kA	DM-006/4R DJ	DIN 35		
Analog signals	2	6 ÷ 48	x	10 kA	DM-xx/1-R DJ	DIN 35		
			x	10 kA	DM-xx/1-L DJ	DIN 35		
	I = 0,06 A	2	6 ÷ 48	x	5 kA	CLSA-xx	LSA plus	disconnection
				x	5 kA	DM-xx/1-Ry*	DIN 35	
				x	5 kA	DMG-xx/1-Ry*	DIN 35	
	I = 0,5 A	2	6 ÷ 110	x	5 kA	DMLF-024/1-Ry*	DIN 35	
				x	5 kA	DMG-xx/1-Ry*	DIN 35	
	I = 1 A	2	6 ÷ 230	2,5 kA	10 kA	BDM-xx-V/1-FR1	DIN 35	floating
				2,5 kA	10 kA	BDG-xx-V/1-FR1	DIN 35	floating
	I = 2 A	2	6 ÷ 48	x	10 kA	DM-xx/1- L2 DJ	DIN 35	
2,5 kA				10 kA	BDM-xx-V/1-FR2	DIN 35	floating	
Multipurpose coarse protection	2	70	2,5 kA	x	BD-090-T/2-F16	DIN 35	floating	
			2,5 kA	10 kA	BDM-012-V/1-FR1	DIN 35	floating	
RS-232	2	15	x	10 kA	DM-012/1R DJ	DIN 35		
			x	5 kA	CLSA-006	LSA plus	disconnection	
Measurement of temperature Pt-100, Pt-1000 Ni-1000, NTC, PTC	2	up to 6	2,5 kA	10 kA	BDM-006-V/1-FR1	DIN 35	floating	
			x	10 kA	DM-006/1R DJ	DIN 35		
	3	up to 6	x	10 kA	DM-006/3R DJ	DIN 35		
	3/4	up to 6	2,5 kA	10 kA	BDG-006-V/1-4FR1	DIN 35	floating	
Opron protocol	2	6 ÷ 24	x	10 kA	DM-006/4R DJ	DIN 35		
			2,5 kA	10 kA	BDM-006-V/1-FR1	DIN 35	floating	
			x	10 kA	DM-xx/1R DJ	DIN 35		

* Ry means version of the terminal: RS - screw, RB - screwless

MEASURING AND CONTROL TECHNOLOGY AND BUS SYSTEMS

Interface / Signal	Protected lines	U (DC) (V)	Discharge current per core		SPD xx – corresponding voltage	Mounting	Notes	
			10/350 µs	8/20 µs				
DC power supply	I = 16 A	2	12 ÷ 60	x	2 kA	DP-xx	DIN 35	
				x	2 kA	DP-xx-V/1-16	DIN 35	
	I = 6 A	2	24	x	2 kA	DP-xx-V/1-F16	DIN 35	
				x	1 kA	DPF-24	DIN 35	
EIB	2	24	2,5 kA	10 kA	BDM-024-V/1-FR1	DIN 35	floating	
M-Bus	2	48	x	10 kA	DM-024/1R DJ	DIN 35		
			2,5 kA	10 kA	BDM-048-V/1-FR1	DIN 35		
CAN-Bus communication max. 1.5 Mbit/s	2	6	x	10 kA	DM-006/1R DJ	DIN 35		
	2	6	2,5 kA	10 kA	BDM-006-V/1-FR1	DIN 35		
Device Net communication 500 kbit/s	I = 2 A	2	24	2,5 kA	10 kA	BDM-024-V/1-FR2	DIN 35	
				x	10 kA	DM-024/1 L2 DJ	DIN 35	
	I = 2 A	2	5	2,5 kA	10 kA	BDM-006-V/1-FR2	DIN 35	
				x	10 kA	DM-006/1L2 DJ	DIN 35	
	I = 1 A	2	24	2,5 kA	10 kA	BDM-024-V/1-FR1	DIN 35	
				2,5 kA	10 kA	BDM-006-V/1-FR1	DIN 35	
C-Bus	2	5	x	10 kA	DM-006/1R DJ	DIN 35		
Honeywell communication max. 0,9 Mbit/s	2	5	2,5 kA	10 kA	BDM-006-V/1-FR1	DIN 35		
Dupline	2	15	2,5 kA	10 kA	BDG-012-V/1-FR1	DIN 35	isolated signal ground	
E-Bus (Honeywel)	2	48	2,5 kA	10 kA	BDG-048-V/1-FR1	DIN 35	isolated signal ground	
Fieldbus Foundation	2	30	2,5 kA	10 kA	BDG-048-V/1-FR1	DIN 35	isolated signal ground	
Genius I/O Bus	2	12	2,5 kA	10 kA	BDG-012-V/1-FR1	DIN 35	isolated signal ground	
FIPIO/FIPWAY	2	30	2,5 kA	10 kA	BDG-048-V/1-FR1	DIN 35	isolated signal ground	
INTERBUS INLINE	2	48	2,5 kA	10 kA	BDG-048-V/1-FR1	DIN 35	isolated signal ground	
K-Bus	2	24	2,5 kA	10 kA	BDG-024-V/1-FR1	DIN 35	isolated signal ground	
LUXMATE-Bus	2	24	2,5 kA	10 kA	BDG-024-V/1-FR1	DIN 35	isolated signal ground	
Procontic CS31 (RS-232)	2	15	2,5 kA	10 kA	BDM-024-V/1-FR1	DIN 35	isolated signal ground	
Profibus-DP/FMS high-speed lines	up to 1,5 Mbit/s	2	9	x	10 kA	DM-006/1R DJ	DIN 35	
		2	6	2,5 kA	10 kA	BDM-006-V/1-FR1	DIN 35	
	up to 20 Mbit/s	9	18	x	150 A	DL-RS DD9	Canon	
		2	6/15	x	5 kA	DMHF-xx/1-Ry*	DIN 35	
		3/4	6/24	2,5 kA	10 kA	BDMHF-xx-V/1-4FR1	DIN 35	floating
		2	6/24	2,5 kA	10 kA	BDMHF-xx-V/1-FR1	DIN 35	floating
		2	6 ÷ 24	2,5 kA	10 kA	BDGHF-xx-V/1-FR1	DIN 35	floating
up to 50 Mbit/s	2+2	6 ÷ 24	2,5 kA	10 kA	BDGHF-xx-V/2-FR1	DIN 35	floating	
	2	6	2,5 kA	10 kA	BDG-006-V/1-FR1	DIN 35	isolated signal ground	
R-Bus	2	6	2,5 kA	10 kA	BDG-006-V/1-FR1	DIN 35	isolated signal ground	
SDLS	2	6	x	5 kA	CLSA-6	Krone LSA+		
Securilan-LON-Bus	2	6	2,5 kA	10 kA	BDG-006-V/1-FR1	DIN 35	isolated signal ground	
SIGMA SYS	2	48	2,5 kA	10 kA	BDG-048-V/1-FR1	DIN 35	isolated signal ground	
(Siemens EPS)	2	48	2,5 kA	10 kA	BDM-048-V/1-FR1	DIN 35		
SS97 SINIS (RS-232)	2	15	2,5 kA	10 kA	BDM-024-V/1-FR1	DIN 35		
SUCONET	2	6	2,5 kA	10 kA	BDG-006-V/1-FR1	DIN 35	isolated signal ground	
TELEPERM M analog input	2	12	2,5 kA	10 kA	BDM-012-V/1-FR1	DIN 35		
	2	24	2,5 kA	10 kA	BDM-024-V/1-FR1	DIN 35		
	2	12	x	5 kA	CLSA-12	Krone LSA+		
	2	24	x	5 kA	CLSA-24	Krone LSA+		
TELEPERM M binary I/O	2	48	x	10 kA	DM-048/1L DJ	DIN 35		
	2	48	2,5 kA	10 kA	BDM-048-V/1-FR1	DIN 35		
	2	12	x	10 kA	DM-012/1L DJ	DIN 35		
	2	12	2,5 kA	10 kA	BDM-012-V/1-FR1	DIN 35		
TELEPERM MFM100	2	12	2,5 kA	10 kA	BDG-012-V/1-FR1	DIN 35	floating	
TTY	2	6 ÷ 24	x	10 kA	DM-xxx/1R DJ	DIN 35		
	2	6 ÷ 24	2,5 kA	10 kA	BDM-xxx-V/1-FR1	DIN 35		
Potential-free (isolated) contacts	1	6 ÷ 110	x	10 kA	DMJ-xx/2-Ry*	DIN 35		
			2,5 kA	10 kA	BDM-xx-V/2-JFR1	DIN 35	floating	
			2,5 kA	10 kA	BDM-xx-V/2-JFR2	DIN 35	floating	
			2,5 kA	10 kA	BDM-xx-V/4-JFR1	DIN 35		
			2,5 kA	10 kA	BDM-xx-V/4-JFR1	DIN 35	floating	
Protection against power crossing of lines up to 400 V	2	24/48	x	5 kA	DMS-xx	DIN 35		

SALTEK® SPD applications in data / signalling / telecommunication systems

TELECOMMUNICATIONS, TELEPHONE SYSTEMS

Interface / Signal	Protected lines	U (DC) (V)	Discharge current per core		SPD xx – corresponding voltage	Mounting	Notes
			10/350 µs	8/20 µs			
ADSL analog line	2	170	x	5 kA	CLSA-TLF	LSA plus	disconnection
			x	5 kA	CLSA-DSL	LSA plus	disconnection
			x	2,5 kA	DL-TLF-HF	DIN 35	RJ11
			2,5 kA	10 kA	BDG-230-V/1-FR	DIN 35	floating
			2,5 kA	x	BD-250-T-V/2-16	DIN 35	
Analog telephone line	2	170	x	5 kA	CLSA-TLF	LSA plus	disconnection
			x	2,5 kA	DL-TLF-HF	DIN 35	RJ11
			2,5 kA	10 kA	BDG-230-V/1-FR	DIN 35	floating
			2,5 kA	x	BD-250-T-V/2-16	DIN 35	
DATEX-P	2	24	x	5 kA	CLSA-24	LSA plus	disconnection
			x	5 kA	DMG-024/1-Ry*	DIN 35	
			2,5 kA	10 kA	BDG-024-V/1-FR1	DIN 35	floating
ISDN U ₀₀	2	120	x	2,5 kA	DL-ISDN RJ45	DIN 35	
			x	10 kA	DL-ISDN SV	DIN 35	
			x	5 kA	CLSA-ISDN	LSA plus	disconnection
Modem M1	2	15	x	5 kA	CLSA-24	LSA plus	disconnection
			x	5 kA	DMG-024/1R-Ry*	DIN 35	isolated signal ground
			2,5 kA	10 kA	BDG-024-V/1-FR1	DIN 35	floating
			2,5 kA	10 kA	BDM-24-V/1-FR1	DIN 35	floating
Telephony systems (eg. Siemens, HICOM, ALCATEL)	2	170	x	5 kA	CLSA-TLF	LSA plus	disconnection
			x	2,5 kA	DL-TLF-HF	DIN 35	RJ11
			2,5 kA	x	BD-250-T-V/2-16	DIN 35	
T-DSL	2	170	x	5 kA	CLSA-DSL	LSA plus	disconnection
			x	5 kA	CLSA-TLF	LSA plus	disconnection
			x	2,5 kA	DL-TLF-HF	DIN 35	RJ11
	2,5 kA		10 kA	BDGHF-230-V/1-FR	DIN 35	floating	
	2+2		2,5 kA	10 kA	BDGHF-230-V/2-FR	DIN 35	floating
2	2,5 kA	x	BD-250-T-V/2-16	DIN 35			
Multipurpose coarse protection	2	180	2,5 kA	x	BD-250-T-V/2-16	DIN 35	
			x	x	BD-250-T-V/2-F16	DIN 35	floating
		70	2,5 kA	x	BD-090-T-V/2-16	DIN 35	
			x	x	BD-090-T-V/2-F16	DIN 35	floating
		180	2,5 kA	x	BD-250-T	DIN 35	
70	2,5 kA	x	BD-090-T	DIN 35			
VDSL/VDSL2	2	170	x	2,5 kA	FAX-OVERDRIVE ...		
			x	5 kA	CLSA-DSL	LSA plus	disconnection
			x	2,5 kA	DL-TLF-HF	DIN 35	
			2,5 kA	x	BD-250-T-V/2-16	DIN 35	

* Ry means version of the terminal: RS - screw, RB - screwless

DATA LINES NETWORK							
Interface / Signal	Protected lines	U (DC) (V)	Discharge current per core		SPD xx – corresponding voltage	Mounting	Notes
			10/350 µs	8/20 µs			
ETHERNET 10/100/1000 Base T	8	6	250 A	150 A	DL-10G-RJ45-PoE-AB	DIN 35	RJ45
			250 A	150 A	DL-1G-RJ45-PoE-AB	DIN 35	RJ45
			x	200 A	DL-Cat. 5e	DIN 35	RJ45
			x	200 A	DL-Cat. 6	DIN 35	RJ45
FDDI, CDDI	8	6	250 A	150 A	DL-10G-RJ45-PoE-AB	DIN 35	RJ45
			250 A	150 A	DL-1G-RJ45-PoE-AB	DIN 35	RJ45
			x	200 A	DL-Cat. 5e	DIN 35	RJ45
	2	6	x	5 kA	CLSA-6	LSA plus	disconnection
Industrial Ethernet	8	6	250 A	150 A	DL-1G-RJ45-PoE-AB	DIN 35	RJ45
			x	200 A	DL-Cat. 5e	DIN 35	RJ45
			x	200 A	DL-Cat. 6	DIN 35	RJ45
			x	200 A	DL-PCB-Cat.5e	19" RACK	into DL-CS-RACK-1U
Token Ring	8	6	250 A	150 A	DL-1G-RJ45-PoE-AB	DIN 35	RJ45
			x	200 A	DL-Cat. 5e	DIN 35	RJ45
			x	200 A	DL-Cat. 6	DIN 35	RJ45
			x	200 A	DL-PCB-Cat.6	19" RACK	into DL-CS-RACK-1U
VG-Any LAN	8	6	250 A	150 A	DL-1G-RJ45-PoE-AB	DIN 35	RJ45
			x	200 A	DL-Cat. 5e	DIN 35	RJ45
			x	200 A	DL-Cat. 6	DIN 35	RJ45
			x	200 A	DL-PCB-Cat.6	19" RACK	into DL-CS-RACK-1U
IP telefonie	8	60	250 A	150 A	DL-1G-RJ45-60V	DIN 35	RJ45
			250 A	150 A	DL-1G-RJ45-PCB-60V	19" RACK	into DL-CS-RACK-1U
PoE (Power over Ethernet)	4	6/48	x	5/1 kA	DL-100 POE-048	box	SV/RJ45
			x	1,5/1 kA	DL-Cat. 5e POE plus	DIN 35	SV/RJ45
	8	6/60	250 A	150 A	DL-1G-RJ45-PoE-AB	DIN 35	RJ45
			250 A	150 A	DL-10G-RJ45-PoE-AB	DIN 35	RJ45
			250 A	150 A	DL-1G-RJ45-PCB-PoE-AB	19" RACK	into DL-CS-RACK-1U
			250 A	150 A	DL-10G-RJ45-PCB-PoE-AB	19" RACK	into DL-CS-RACK-1U

Data, signal and telecommunication networks

SALTEK® SPD applications in data / signalling / telecommunication systems

ANTENNAS, TRANSMITTERS, RECIEVERS, BROADBAND SYSTEM, CCTV

Interface / Signal	Protected lines	U (DC) (V)	Discharge current per core		SPD xx – corresponding voltage	Mounting	Notes	
			10/350 µs	8/20 µs				
AMPS, NADAC 824 ÷ 894 MHz	1	70	2,5 kA	10 kA	HX-090 N50 F/F	N50	I _N = 6A 3,5 GHz	
		70	2,5 kA	10 kA	HX-090 N50 F/M	N50	I _N = 6A 3,5 GHz	
		180	2,5 kA	10 kA	HX-230 N50 F/F	N50	I _N = 6A 3,5 GHz	
		180	2,5 kA	10 kA	HX-230 N50 F/M	N50	I _N = 6A 3,5 GHz	
DCS 1800 B162 1710 ÷ 1880 MHz	1	70	2,5 kA	10 kA	HX-090 N50 F/F	N50	I _N = 6A 3,5 GHz	
		180	2,5 kA	10 kA	HX-230 N50 F/F	N50	I _N = 6A 3,5 GHz	
Transmitters	1	70	2,5 kA	20 kA	HX-090 N50 F/F	N50	I _N = 6A 3,5 GHz	
		70	2,5 kA	20 kA	HX-090 N50 F/M	N50	I _N = 6A 3,5 GHz	
		180	2,5 kA	20 kA	HX-230 N50 F/F	N50	I _N = 6A 3,5 GHz	
		180	2,5 kA	20 kA	HX-230 N50 F/M	N50	I _N = 6A 3,5 GHz	
GSM 900, GSMR	1	70	2,5 kA	10 kA	HX-090 N50 F/F	N50	I _N = 6A 3,5 GHz	
		70	2,5 kA	10 kA	HX-090 N50 F/M	N50	I _N = 6A 3,5 GHz	
		180	2,5 kA	10 kA	HX-230 N50 F/F	N50	I _N = 6A 3,5 GHz	
		180	2,5 kA	10 kA	HX-230 N50 F/M	N50	I _N = 6A 3,5 GHz	
GPS 1565 ÷ 1585 MHz	1	70	2,5 kA	10 kA	HX-090 N50 F/F	N50	I _N = 6A 3,5 GHz	
		70	2,5 kA	10 kA	HX-090 N50 F/M	N50	I _N = 6A 3,5 GHz	
		180	2,5 kA	10 kA	HX-230 N50 F/F	N50	I _N = 6A 3,5 GHz	
GSM 1800	1	70	2,5 kA	10 kA	HX-090 N50 F/F (F/M)	N50	I _N = 6A 3,5 GHz	
		180	2,5 kA	10 kA	HX-230 N50 F/F (F/M)	N50	I _N = 6A 3,5 GHz	
		180	2,5 kA	10 kA	HX-230 N50 F/F (F/M)	N50	I _N = 6A 3,5 GHz	
PCS 1900 1850 ÷ 1990 MHz	1	70	2,5 kA	10 kA	HX-090 N50 F/F (F/M)	N50	I _N = 6A 3,5 GHz	
		180	2,5 kA	10 kA	HX-230 N50 F/F (F/M)	N50	I _N = 6A 3,5 GHz	
TETRA, NMT 450 380 ÷ 512 MHz	1	70	2,5 kA	10 kA	HX-090 N50 F/F (F/M)	N50	I _N = 6A 3,5 GHz	
		180	2,5 kA	10 kA	HX-230 N50 F/F (F/M)	N50	I _N = 6A 3,5 GHz	
Terrestrial TV	1	29	x	1,5 kA	SX-090 F75 F/F	F connector	I _N = 4A 2 GHz	
		29	x	1,5 kA	SX-090 B75 F/F	BNC	I _N = 4A 2 GHz	
		70	2,5 kA	10 kA	FX-090 F75 F/F	F connector	I _N = 4A 2 GHz	
		70	2,5 kA	10 kA	FX-090 B75 F/F	BNC	I _N = 4A 2 GHz	
UMTS	1	70	2,5 kA	10 kA	HX-090 N50 F/F (F/M)	N50	I _N = 6A 3,5 GHz	
		180	2,5 kA	10 kA	HX-230 N50 F/F (F/M)	N50	I _N = 6A 3,5 GHz	
WLAN band 2,4 GHz	1	70	2,5 kA	10 kA	HX-090 N50 F/F (F/M)	N50	I _N = 6A 3,5 GHz	
		180	2,5 kA	10 kA	HX-230 N50 F/F (F/M)	N50	I _N = 6A 3,5 GHz	
VIDEO	coax	1	6	x	10 kA	VL-B75 F/F	DIN 35	BNC
		2	6	x	10 kA	VL-SV	DIN 35	screw terminals
	IP	8	6	x	200 A	DL-Cat. 5e	DIN 35	RJ45
		8	6	x	200 A	DL-Cat. 6	DIN 35	RJ45
		4	6/76	x	1 kA	DL-100 POE-048	box	SV/RJ45
		4	6/76	x	1 kA	DL-Cat. 5e POE plus	DIN 35	RJ45
		8	6/60	250 A	150 A	DL-1G-RJ45-PoE-AB	DIN 35	RJ45
		8	6/60	250 A	150 A	DL-10G-RJ45-PoE-AB	DIN 35	RJ45
WLAN Twisted Pair	2	6	x	10 kA	VL-SV	DIN 35	screw terminals	

SPDs for data/signalling/telecommunication networks



Devices with pluggable module



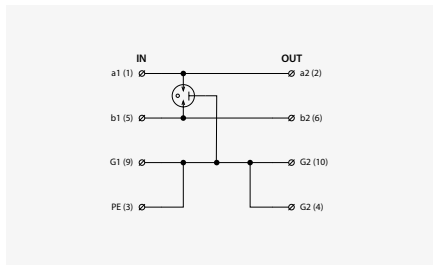
Data, signal and telecommunication networks

- SPDs with coarse and fine protection
- Pluggable modules for easy replacement
- For 1 up to 4-core lines
- Multiple core lines save the space
- All variants in “F” version with separated line and protective earth
- Line BD – lightning current arresters
- Line BDM – for 2/3/4-core communication lines
- Line BDG – with separated signal ground and protective earth
- Line BDMHF, BDGHF – for high-speed lines
- Line DMP – for protection of signal and low-voltage power line
- Line DP – for extra-low voltage circuits

Overview of SPDs for data/signalling/telecommunication networks

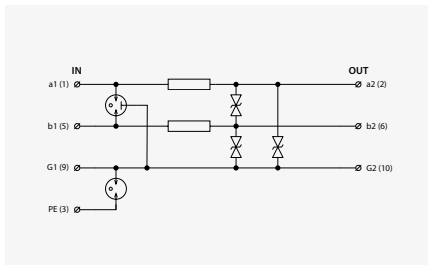
Devices with pluggable module

BD-...-T...



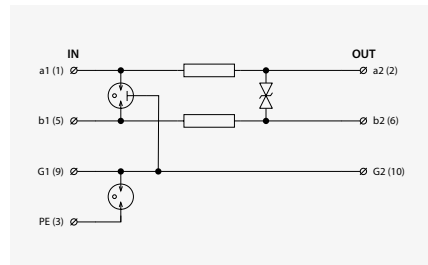
2 core line incoming from LPZ 0 to structure.
See page: 101

BDM-...



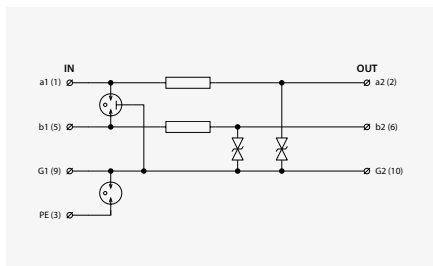
2-3 core line incoming from LPZ 0 to structure with one-pole connected with ground.
See page: 102-105

BDG-...



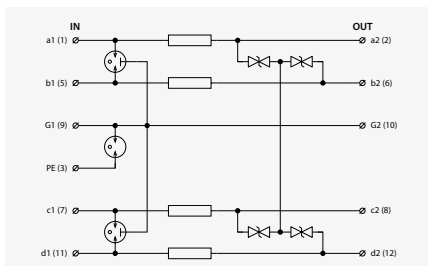
2 core floating line incoming from LPZ 0 to structure.
See page: 106-109

BDM-...-J...



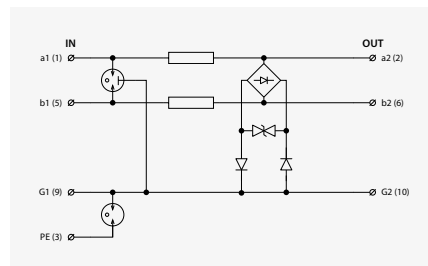
Single core lines.
See page: 110-112

BDG-...-4...



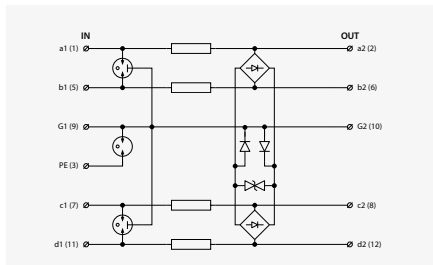
3-4 core floating line.
See page: 113

BDMHF-...



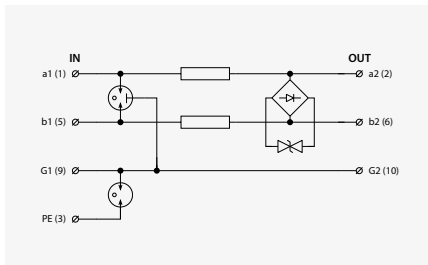
2 or 3 cores high-speed line.
See page: 114

BDMHF-...-4...



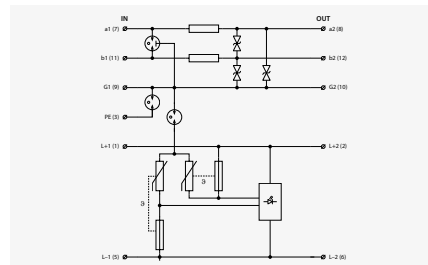
3-4 core high-speed line.
See page: 115

BDGHF-...



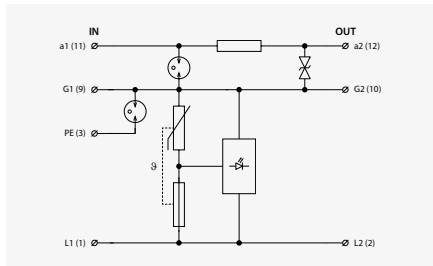
2 core high-speed floating line.
See page: 116-117

DMP-...



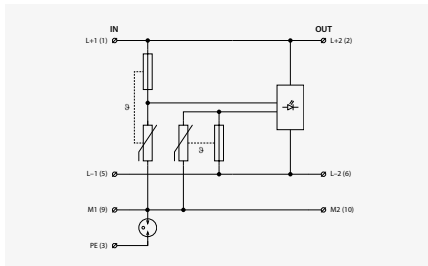
2 core line combined with power supply.
See page: 118

DMP-...-J...



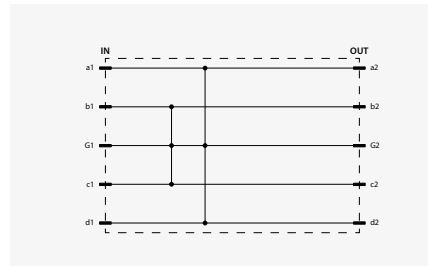
Single core line combined with power supply.
See page: 119

DP-...-16



Power supply 12, 24, 48, 60 V up to 16 A.
See page: 120

DMZ-V-0

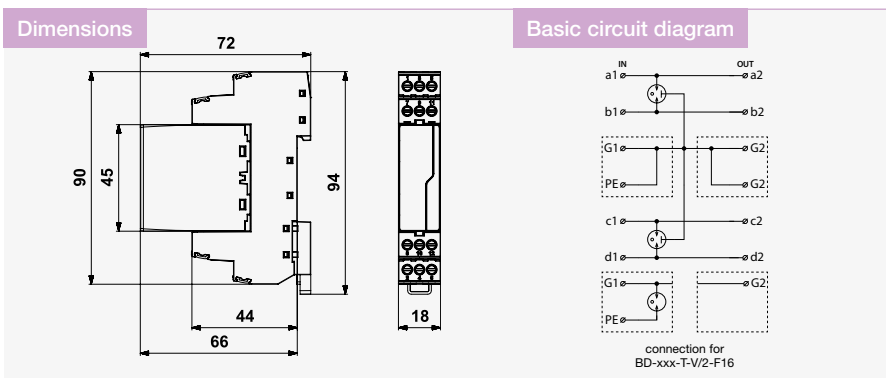


Short-circuiting module for maintenance of signalling lines.
See page: 189

BD-...-T-V/2-(F)16

Lightning Current Arrester pluggable module

- lightning current arrester of two 2-core signalling lines
- installation at the boundary of LPZ 0 and LPZ 1 zones at the line entry into building
- mainly for protection of telecommunication lines against surge voltage
- in "F" version is the line separated from protective earth via GDT



Parameter / Type		BD-090-T-V/2-16	BD-250-T-V/2-16	BD-090-T-V/2-F16	BD-250-T-V/2-F16
Connection (input - output)		terminals-terminals	terminals-terminals	terminals-terminals	terminals-terminals
Location of SPD		ST 1	ST 1	ST 1	ST 1
Maximum operating voltage	U_c	50 V AC / 70 V DC	128 V AC / 180 V DC	50 V AC / 70 V DC	128 V AC / 180 V DC
Nominal load current	I_L	16 A	16 A	16 A	16 A
C2 nominal discharge current (8/20 μ s) per core	I_n	10 kA	10 kA	10 kA	10 kA
C2 nominal discharge current (8/20 μ s) GND-PE	I_n	-	-	10 kA	10 kA
C2 total discharge current (8/20 μ s) cores-PE	I_{Total}	20 kA	20 kA	20 kA	20 kA
D1 impulse discharge current (10/350 μ s) core-core	I_{imp}	2,5 kA	2,5 kA	2,5 kA	2,5 kA
D1 total discharge current (10/350 μ s) cores-PE	I_{Total}	5 kA	5 kA	5 kA	5 kA
C3 voltage protection level mode core-core at 1 kV/ μ s	U_p	550 V	550 V	550 V	550 V
C3 voltage protection level mode core-PE at 1 kV/ μ s	U_p	550 V	550 V	-	-
C3 voltage protection level mode GND-PE at 1 kV/ μ s	U_p	-	-	550 V	550 V
C3 voltage protection level mode core-GND at 1 kV/ μ s	U_p	-	-	550 V	550 V
Response time core-core	t_a	100 ns	100 ns	100 ns	100 ns
Response time core-PE	t_a	100 ns	100 ns	-	-
Response time GND-PE	t_a	-	-	100 ns	100 ns
Response time core-GND	t_a	-	-	100 ns	100 ns
Cross-section of connected conductors solid (min/max)		0,14 mm ² / 4 mm ²	0,14 mm ² / 4 mm ²	0,14 mm ² / 4 mm ²	0,14 mm ² / 4 mm ²
Cross-section of connected conductors stranded (min/max)		0,14 mm ² / 2,5 mm ²	0,14 mm ² / 2,5 mm ²	0,14 mm ² / 2,5 mm ²	0,14 mm ² / 2,5 mm ²
Degree of protection		IP 20	IP 20	IP 20	IP 20
Range of operating temperatures (min/max)		-40 °C / 70 °C	-40 °C / 70 °C	-40 °C / 70 °C	-40 °C / 70 °C
Mounting		DIN rail 35 mm	DIN rail 35 mm	DIN rail 35 mm	DIN rail 35 mm
According to standard		EN 61643-21+A1,A2:2013, IEC 61643-21+A1,A2:2012 / D1, C2			
Ordering number		A05550	A05551	A05554	A05555

Spare module	BD-090-T-V/2-0	BD-250-T-V/2-0	BD-090-T-V/2-0	BD-250-T-V/2-0
Ordering number	A05390	A05391	A05390	A05391

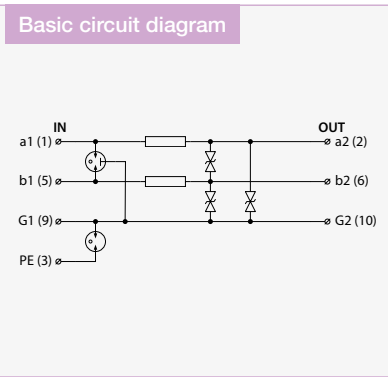
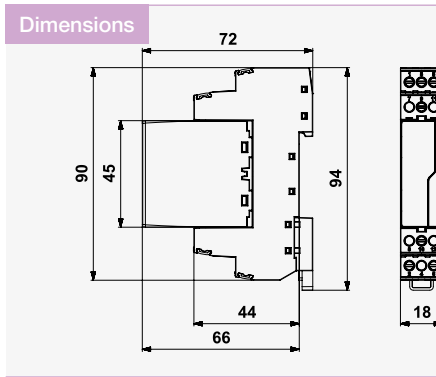
Data, signal and telecommunication networks

BDM-...-V/1-FR1

Lightning Current Arrester

pluggable module, coupling impedance (R – resistance), line separated from protective earth via GDT

- coarse and fine surge protection of 2/3-core telecommunication, data and other lines
- installation at the boundary of LPZ 0 and LPZ 1 zones at the line entry into building
- for protection of telecommunication lines (version BDM-230) and communication interfaces of I&C, electronic security and fire detection systems, etc. (mainly for RS-485 interfaces) against impact of surge voltage
- coarse and fine surge protection (core – core, GND) in differential mode and coarse surge protection in common mode (line – PE)



Parameter / Type	BDM-006-V/1-FR1	BDM-012-V/1-FR1	BDM-024-V/1-FR1	BDM-048-V/1-FR1
Connection (input - output)	terminals-terminals	terminals-terminals	terminals-terminals	terminals-terminals
Location of SPD	ST 1+2+3	ST 1+2+3	ST 1+2+3	ST 1+2+3
Nominal voltage U_n	6 V DC	12 V DC	24 V DC	48 V DC
Maximum operating voltage U_c	6 V AC / 8,5 V DC	11 V AC / 16 V DC	25 V AC / 36 V DC	36 V AC / 51 V DC
Nominal load current I_L	1 A	1 A	1 A	1 A
C2 nominal discharge current (8/20 μ s) per core I_n	10 kA	10 kA	10 kA	10 kA
C2 nominal discharge current (8/20 μ s) GND-PE I_n	10 kA	10 kA	10 kA	10 kA
C2 total discharge current (8/20 μ s) cores-PE I_{Total}	20 kA	20 kA	20 kA	20 kA
D1 impulse discharge current (10/350 μ s) core-core I_{imp}	2,5 kA	2,5 kA	2,5 kA	2,5 kA
D1 total discharge current (10/350 μ s) cores-PE I_{Total}	5 kA	5 kA	5 kA	5 kA
C3 voltage protection level mode core-core at 1 kV/ μ s U_p	12 V	22 V	46 V	65 V
C3 voltage protection level mode GND-PE at 1 kV/ μ s U_p	550 V	550 V	550 V	550 V
C3 voltage protection level mode core-GND at 1 kV/ μ s U_p	12 V	22 V	46 V	65 V
Response time core-core t_a	1 ns	1 ns	1 ns	1 ns
Response time GND-PE t_a	100 ns	100 ns	100 ns	100 ns
Response time core-GND t_a	1 ns	1 ns	1 ns	1 ns
Serial resistance per core R	0,8 Ω	0,8 Ω	0,8 Ω	0,8 Ω
Threshold frequency core-core f	0,8 MHz	2 MHz	4 MHz	5 MHz
Cross-section of connected conductors solid (min/max)	0,14 mm ² / 4 mm ²	0,14 mm ² / 4 mm ²	0,14 mm ² / 4 mm ²	0,14 mm ² / 4 mm ²
Cross-section of connected conductors stranded (min/max)	0,14 mm ² / 2,5 mm ²	0,14 mm ² / 2,5 mm ²	0,14 mm ² / 2,5 mm ²	0,14 mm ² / 2,5 mm ²
Degree of protection	IP 20	IP 20	IP 20	IP 20
Range of operating temperatures (min/max)	-40 °C / 70 °C	-40 °C / 70 °C	-40 °C / 70 °C	-40 °C / 70 °C
Mounting	DIN rail 35 mm	DIN rail 35 mm	DIN rail 35 mm	DIN rail 35 mm
According to standard	EN 61643-21+A1,A2:2013, IEC 61643-21+A1,A2:2012 / D1, C2			
Ordering number	A05709	A05710	A05711	A05712

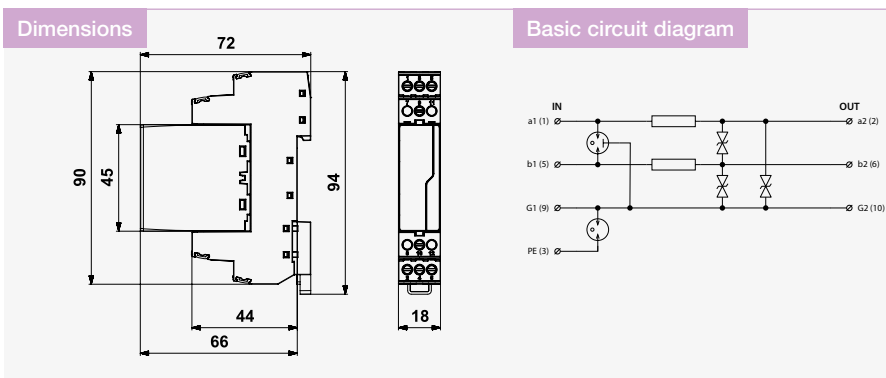
Spare module	BDM-006-V/1-0	BDM-012-V/1-0	BDM-024-V/1-0	BDM-048-V/1-0
Ordering number	A05501	A05502	A05503	A05504

BDM-...-V/1-FR.

Lightning Current Arrester

pluggable module, coupling impedance (R – resistance), line separated from protective earth via GDT

- coarse and fine surge protection of 2/3-core telecommunication, data and other lines
- installation at the boundary of LPZ 0 and LPZ 1 zones at the line entry into building
- for protection of telecommunication lines (version BDM-230) and communication interfaces of I&C, electronic security and fire detection systems, etc. (mainly for RS-485 interfaces) against impact of surge voltage
- coarse and fine surge protection (core – core, GND) in differential mode and coarse surge protection in common mode (line – PE)



Parameter / Type	BDM-060-V/1-FR1	BDM-230-V/1-FR	BDM-230-V/1-FR1
Connection (input - output)	terminals-terminals	terminals-terminals	terminals-terminals
Location of SPD	ST 2+3	ST 1+2+3	ST 1+2+3
Nominal voltage U_n	60 V DC	230 V DC	230 V DC
Maximum operating voltage U_c	45 V AC / 64 V DC	177 V AC / 250 V DC	177 V AC / 250 V DC
Nominal load current I_L	1 A	0,5 A	1 A
C2 nominal discharge current (8/20 μ s) per core I_n	10 kA	10 kA	10 kA
C2 nominal discharge current (8/20 μ s) GND-PE I_n	10 kA	10 kA	10 kA
C2 total discharge current (8/20 μ s) cores-PE I_{Total}	20 kA	20 kA	20 kA
D1 impulse discharge current (10/350 μ s) core-core I_{imp}	85 V	350 V	350 V
D1 total discharge current (10/350 μ s) cores-PE I_{Total}	550 V	550 V	550 V
C3 voltage protection level mode core-core at 1 kV/ μ s U_p	85 V	350 V	350 V
C3 voltage protection level mode GND-PE at 1 kV/ μ s U_p	2,5 kA	2,5 kA	2,5 kA
C3 voltage protection level mode core-GND at 1 kV/ μ s U_p	5 kA	5 kA	5 kA
Response time core-core t_a	1 ns	1 ns	1 ns
Response time GND-PE t_a	100 ns	100 ns	100 ns
Response time core-GND t_a	1 ns	1 ns	1 ns
Serial resistance per core R	0,8 Ω	3,3 Ω	1,6 Ω
Threshold frequency core-core f	6,5 MHz	11 MHz	11 MHz
Cross-section of connected conductors solid (min/max)	0,14 mm ² / 4 mm ²	0,14 mm ² / 4 mm ²	0,14 mm ² / 4 mm ²
Cross-section of connected conductors stranded (min/max)	0,14 mm ² / 2,5 mm ²	0,14 mm ² / 2,5 mm ²	0,14 mm ² / 2,5 mm ²
Degree of protection	IP 20	IP 20	IP 20
Range of operating temperatures (min/max)	-40 °C / 70 °C	-40 °C / 70 °C	-40 °C / 70 °C
Mounting	DIN rail 35 mm	DIN rail 35 mm	DIN rail 35 mm
According to standard	EN 61643-21+A1,A2:2013, IEC 61643-21+A1,A2:2012 / D1, C2		
Ordering number	A06438	A05713	A06461

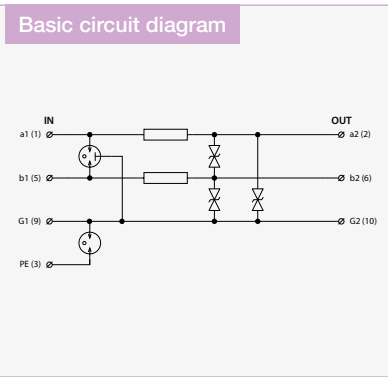
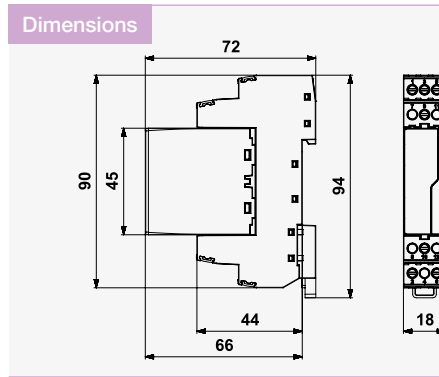
Spare module	BDM-060-V/1-0	BDM-230-V/1-0	BDM-230-V/1-0
Ordering number	A06437	A05505	A05505

Data, signal and telecommunication networks

BDM-...-V/1-FR2

Combination of coarse and fine surge protection for telecommunication and signalling networks
pluggable module, coupling impedance (R – resistance), line separated from protective earth via GDT

- lightning current arrester with coarse and fine surge protection for 2/3-core signalling lines
- installation at the boundary of LPZ 0 and LPZ 1 zones at the line entry into building or higher and also installation close to protected device
- for protection of communication interfaces of I&C, MaR systems, electronic security and fire detection systems, etc. (mainly for RS-485 interfaces) against impact of surge voltage
- coarse and fine surge protection (core – core, GND) in differential mode and coarse surge protection in common mode (line – PE)



Parameter / Type		BDM-006-V/1-FR2	BDM-012-V/1-FR2	BDM-024-V/1-FR2	BDM-048-V/1-FR2	BDM-060-V/1-FR2
Connection (input – output)		terminals-terminals	terminals-terminals	terminals-terminals	terminals-terminals	terminals-terminals
Location of SPD		ST 1+2+3	ST 1+2+3	ST 1+2+3	ST 1+2+3	ST 1+2+3
Nominal voltage	U_n	6 V DC	12 V DC	24 V DC	48 V DC	60 V DC
Maximum operating voltage	U_c	6 V AC / 8.5 V DC	11 V AC / 16 V DC	25 V AC / 36 V DC	36 V AC / 51 V DC	45 V AC / 64 V DC
Nominal load current	I_L	2 A	2 A	2 A	2 A	2 A
C2 nominal discharge current (8/20 μ s) per core	I_n	10 kA	10 kA	10 kA	10 kA	10 kA
C2 nominal discharge current (8/20 μ s) per core GND-PE	I_n	10 kA	10 kA	10 kA	10 kA	10 kA
C2 total discharge current (8/20 μ s) cores-PE	I_{Total}	20 kA	20 kA	20 kA	20 kA	20 kA
C3 voltage protection level mode core-core at 1 kV/ μ s	U_p	12 V	22 V	46 V	65 V	85 V
C3 voltage protection level mode core GND-PE at 1 kV/ μ s	U_p	550 V	550 V	550 V	550 V	550 V
D1 lightning impulse current (10/350 μ s) per core	I_{imp}	2.5 kA	2.5 kA	2.5 kA	2.5 kA	2.5 kA
D1 total discharge current (10/350 μ s) cores-PE	I_{Total}	5 kA	5 kA	5 kA	5 kA	5 kA
C3 voltage protection level mode core-GND at 1 kV/ μ s	U_p	12 V	22 V	46 V	65 V	85 V
Response time core-core	t_a	1 ns	1 ns	1 ns	1 ns	1 ns
Response time GND-PE	t_a	100 ns	100 ns	100 ns	100 ns	100 ns
Response time core-GND	t_a	1 ns	1 ns	1 ns	1 ns	1 ns
Serial resistance per core	R	0.4 Ω	0.4 Ω	0.4 Ω	0.4 Ω	0.4 Ω
Threshold frequency core-core	f	0.8 MHz	2 MHz	4 MHz	5 MHz	6.5 MHz
Cross-section of connected conductors solid (min/max)		0.14 mm ² / 4 mm ²	0.14 mm ² / 4 mm ²	0.14 mm ² / 4 mm ²	0.14 mm ² / 4 mm ²	0.14 mm ² / 4 mm ²
Cross-section of connected conductors stranded (min/max)		0.14 mm ² / 2.5 mm ²	0.14 mm ² / 2.5 mm ²	0.14 mm ² / 2.5 mm ²	0.14 mm ² / 2.5 mm ²	0.14 mm ² / 2.5 mm ²
Degree of protection		IP 20	IP 20	IP 20	IP 20	IP 20
Range of operating temperatures (min/max)		-40 °C / 70 °C	-40 °C / 70 °C	-40 °C / 70 °C	-40 °C / 70 °C	-40 °C / 70 °C
Mounting		DIN rail 35mm	DIN rail 35mm	DIN rail 35mm	DIN rail 35mm	DIN rail 35mm
According to standard		EN 61643-21+A1,A2:2013, IEC 61643-21+A1,A2:2012 / D1, C2				
Ordering number		A06385	A06398	A06411	A06424	A06439

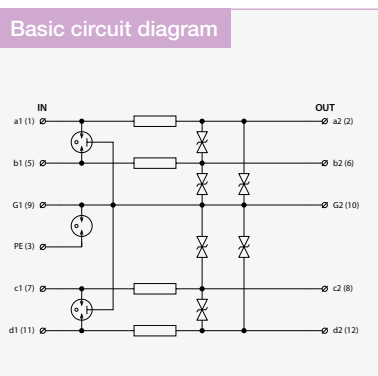
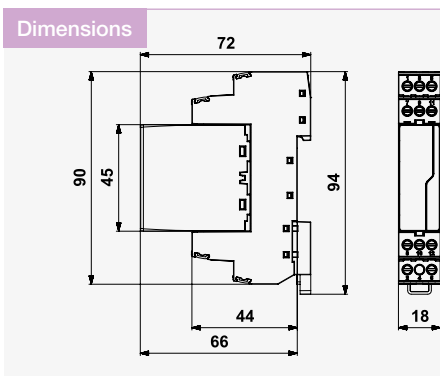
Spare module	BDM-006-V/1-0	BDM-012-V/1-0	BDM-024-V/1-0	BDM-048-V/1-0	BDM-060-V/1-0
Ordering number	A05501	A05502	A05503	A05504	A06437

BDM-...-V/2-FR.

Lightning current arrester

pluggable module, coupling impedance (R – resistance), line separated from protective earth via GDT

- lightning current arrester with coarse and fine surge protection for 2-core signalling lines
- installation at the boundary of LPZ 0 and LPZ 1 zones at the line entry into building or higher and also installation close to protected device
- for protection of communication interfaces of I&C, MaR systems, electronic security and fire detection systems, etc. (mainly for RS-485 interfaces) against impact of surge voltage
- coarse and fine surge protection (core – core, GND) in differential mode and coarse surge protection in common mode (line – PE)



Parameter / Type	BDM-006-V/2-FR1	BDM-012-V/2-FR1	BDM-024-V/2-FR1	BDM-048-V/2-FR1	BDM-060-V/2-FR1	BDM-230-V/2-FR
Connection (input – output)	terminals-terminals	terminals-terminals	terminals-terminals	terminals-terminals	terminals-terminals	terminals-terminals
Location of SPD	ST 1+2+3	ST 1+2+3	ST 1+2+3	ST 1+2+3	ST 1+2+3	ST 1+2+3
Nominal voltage	U_n 6 V DC	12 V DC	24 V DC	48 V DC	60 V DC	230 V DC
Maximum operating voltage	U_c 6 V AC / 8.5 V DC	11 V AC / 16 V DC	25 V AC / 36 V DC	36 V AC / 51 V DC	45 V AC / 64 V DC	177 V AC / 250 V DC
Nominal load current	I_L 1 A	1 A	1 A	1 A	1 A	0.5 A
C2 nominal discharge current (8/20 μ s) per core	I_n 10 kA	10 kA	10 kA	10 kA	10 kA	10 kA
C2 nominal discharge current (8/20 μ s) per core GND-PE	I_n 10 kA	10 kA	10 kA	10 kA	10 kA	10 kA
C2 total discharge current (8/20 μ s) cores-PE	I_{Total} 20 kA	20 kA	20 kA	20 kA	20 kA	20 kA
C3 voltage protection level mode core-core at 1 kV/ μ s	U_p 12 V	22 V	46 V	65 V	85 V	350 V
C3 voltage protection level mode core GND-PE at 1 kV/ μ s	U_p 550 V	550 V	550 V	550 V	550 V	550 V
C3 voltage protection level mode core-GND at 1 kV/ μ s	U_p 12 V	22 V	46 V	65 V	85 V	350 V
D1 lightning impulse current (10/350 μ s) per core	I_{imp} 2.5 kA	2.5 kA	2.5 kA	2.5 kA	2.5 kA	1 ns
D1 total discharge current (10/350 μ s) cores-PE	I_{Total} 5 kA	5 kA	5 kA	5 kA	5 kA	2.5 kA
Response time core-core	t_a 1 ns	1 ns	1 ns	1 ns	1 ns	5 kA
Response time GND-PE	t_a 100 ns	100 ns	100 ns	100 ns	100 ns	100 ns
Response time core-GND	t_a 1 ns	1 ns	1 ns	1 ns	1 ns	1 ns
Serial resistance per core	R 0.8 Ω	0.8 Ω	0.8 Ω	0.8 Ω	0.8 Ω	3.3 Ω
Threshold frequency core-core	f 0.8 MHz	2 MHz	4 MHz	5 MHz	6.5 MHz	11 MHz
Cross-section of connected conductors solid (min/max)	0.14 mm ² / 4 mm ²	0.14 mm ² / 4 mm ²	0.14 mm ² / 4 mm ²	0.14 mm ² / 4 mm ²	0.14 mm ² / 4 mm ²	0.14 mm ² / 4 mm ²
Cross-section of connected conductors stranded (min/max)	0.14 mm ² / 2.5 mm ²	0.14 mm ² / 2.5 mm ²	0.14 mm ² / 2.5 mm ²	0.14 mm ² / 2.5 mm ²	0.14 mm ² / 2.5 mm ²	0.14 mm ² / 2.5 mm ²
Degree of protection	IP 20	IP 20	IP 20	IP 20	IP 20	IP 20
Range of operating temperatures (min/max)	-40 °C / 70 °C	-40 °C / 70 °C	-40 °C / 70 °C	-40 °C / 70 °C	-40 °C / 70 °C	-40 °C / 70 °C
Mounting	DIN rail 35 mm	DIN rail 35 mm	DIN rail 35 mm	DIN rail 35 mm	DIN rail 35 mm	DIN rail 35 mm
According to standard	EN 61643-21+A1,A2:2013, IEC 61643-21+A1,A2:2012 / D1, C2					
Ordering number	A06388	A06401	A06414	A06427	A06443	A06464

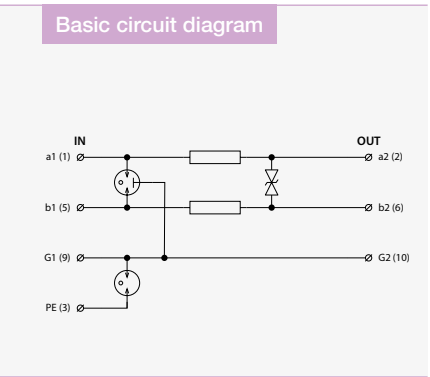
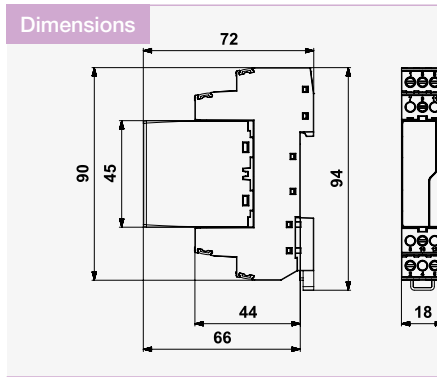
Spare module	BDM-006-V/2-0	BDM-012-V/2-0	BDM-024-V/2-0	BDM-048-V/2-0	BDM-060-V/2-0	BDM-230-V/2-0
Ordering number	A06387	A06400	A06413	A06426	A06442	A06463

BDG-...-V/1-FR1

Lightning Current Arrester

pluggable module, coupling impedance (R – resistance), line separated from protective earth via GDT

- coarse and fine surge protection of shielded 2-core telecommunication, data and other lines
- installation at the boundary of LPZ 0 and LPZ 1 zones at the line entry into building
- for protection of telecommunication lines (version BDG-230) and communication interfaces of I&C, electronic security and fire detection systems, etc. (mainly the measuring circuits) against impact of surge voltage
- coarse and fine surge protection (core – core) and coarse protection (core – GND) in differential mode, coarse surge protection in common mode (line – PE)



Parameter / Type	BDG-006-V/1-FR1	BDG-012-V/1-FR1	BDG-024-V/1-FR1	BDG-048-V/1-FR1
Connection (input - output)	terminals-terminals	terminals-terminals	terminals-terminals	terminals-terminals
Location of SPD	ST 1+2+3	ST 1+2+3	ST 1+2+3	ST 1+2+3
Nominal voltage U_n	6 V DC	12 V DC	24 V DC	48 V DC
Maximum operating voltage U_c	6 V AC / 8,5 V DC	11 V AC / 16 V DC	25 V AC / 36 V DC	36 V AC / 51 V DC
Nominal load current I_L	1 A	1 A	1 A	1 A
C2 nominal discharge current (8/20 μ s) per core I_n	10 kA	10 kA	10 kA	10 kA
C2 nominal discharge current (8/20 μ s) GND-PE I_n	10 kA	10 kA	10 kA	10 kA
C2 total discharge current (8/20 μ s) cores-PE I_{Total}	20 kA	20 kA	20 kA	20 kA
D1 impulse discharge current (10/350 μ s) core-core I_{imp}	2,5 kA	2,5 kA	2,5 kA	2,5 kA
D1 total discharge current (10/350 μ s) cores-PE I_{Total}	5 kA	5 kA	5 kA	5 kA
C3 voltage protection level mode core-core at 1 kV/ μ s U_p	12 V	22 V	46 V	65 V
C3 voltage protection level mode GND-PE at 1 kV/ μ s U_p	550 V	550 V	550 V	550 V
C3 voltage protection level mode core-GND at 1 kV/ μ s U_p	550 V	550 V	550 V	550 V
Response time core-core t_a	1 ns	1 ns	1 ns	1 ns
Response time GND-PE t_a	100 ns	100 ns	100 ns	100 ns
Response time core-GND t_a	100 ns	100 ns	100 ns	100 ns
Serial resistance per core R	0,8 Ω	0,8 Ω	0,8 Ω	0,8 Ω
Threshold frequency core-core f	1,2 MHz	3 MHz	6 MHz	7 MHz
Cross-section of connected conductors solid (min/max)	0,14 mm ² / 4 mm ²	0,14 mm ² / 4 mm ²	0,14 mm ² / 4 mm ²	0,14 mm ² / 4 mm ²
Cross-section of connected conductors stranded (min/max)	0,14 mm ² / 2,5 mm ²	0,14 mm ² / 2,5 mm ²	0,14 mm ² / 2,5 mm ²	0,14 mm ² / 2,5 mm ²
Degree of protection	IP 20	IP 20	IP 20	IP 20
Range of operating temperatures (min/max)	-40 °C / 70 °C	-40 °C / 70 °C	-40 °C / 70 °C	-40 °C / 70 °C
Mounting	DIN rail 35 mm	DIN rail 35 mm	DIN rail 35 mm	DIN rail 35 mm
According to standard	EN 61643-21+A1,A2:2013, IEC 61643-21+A1,A2:2012 / D1, C2			
Ordering number	A05704	A05705	A05706	A05707

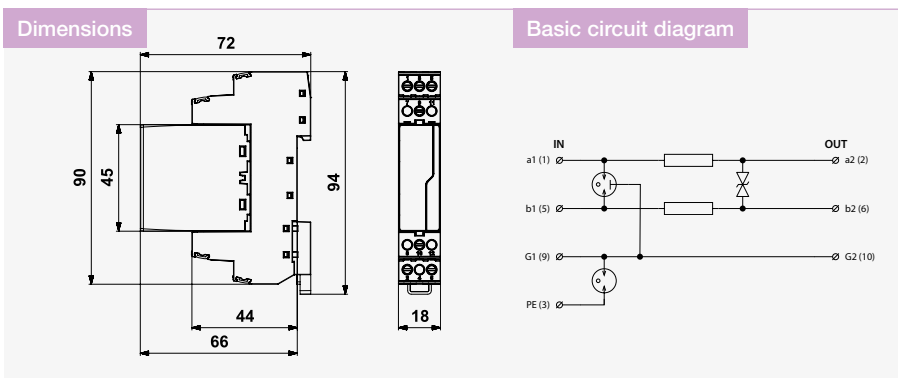
Spare module	BDG-006-V/1-0	BDG-012-V/1-0	BDG-024-V/1-0	BDG-048-V/1-0
Ordering number	A05399	A05400	A05401	A05402

BDG-...-V/1-FR.

Lightning Current Arrester

pluggable module, coupling impedance (R – resistance), line separated from protective earth via GDT

- coarse and fine surge protection of shielded 2-core telecommunication, data and other lines
- installation at the boundary of LPZ 0 and LPZ 1 zones at the line entry into building
- for protection of telecommunication lines (version BDG-230) and communication interfaces of I&C, electronic security and fire detection systems, etc. (mainly the measuring circuits) against impact of surge voltage
- coarse and fine surge protection (core – core) and coarse protection (core – GND) in differential mode, coarse surge protection in common mode (line – PE)



Parameter / Type	BDG-060-V/1-FR1	BDG-230-V/1-FR	BDG-230-V/1-FR1
Connection (input - output)	terminals-terminals	terminals-terminals	terminals-terminals
Location of SPD	ST 2+3	ST 1+2+3	ST 1+2+3
Nominal voltage U_n	60 V DC	230 V DC	230 V DC
Maximum operating voltage U_c	45 V AC / 64 V DC	177 V AC / 250 V DC	177 V AC / 250 V DC
Nominal load current I_L	1 A	0,5 A	1 A
C2 nominal discharge current (8/20 μ s) per core I_n	10 kA	10 kA	10 kA
C2 nominal discharge current (8/20 μ s) GND-PE I_n	10 kA	10 kA	10 kA
C2 total discharge current (8/20 μ s) cores-PE I_{Total}	20 kA	20 kA	20 kA
D1 impulse discharge current (10/350 μ s) core-core I_{imp}	85 V	350 V	350 V
D1 total discharge current (10/350 μ s) cores-PE I_{Total}	550 V	550 V	550 V
C3 voltage protection level mode core-core at 1 kV/ μ s U_p	550 V	550 V	550 V
C3 voltage protection level mode GND-PE at 1 kV/ μ s U_p	2,5 kA	2,5 kA	2,5 kA
C3 voltage protection level mode core-GND at 1 kV/ μ s U_p	5 kA	5 kA	5 kA
Response time core-core t_a	1 ns	1 ns	1 ns
Response time GND-PE t_a	100 ns	100 ns	100 ns
Response time core-GND t_a	100 ns	100 ns	100 ns
Serial resistance per core R	0,8 Ω	3,3 Ω	1,6 Ω
Threshold frequency core-core f	10 MHz	16 MHz	16 MHz
Cross-section of connected conductors solid (min/max)	0,14 mm ² / 4 mm ²	0,14 mm ² / 4 mm ²	0,14 mm ² / 4 mm ²
Cross-section of connected conductors stranded (min/max)	0,14 mm ² / 2,5 mm ²	0,14 mm ² / 2,5 mm ²	0,14 mm ² / 2,5 mm ²
Degree of protection	IP 20	IP 20	IP 20
Range of operating temperatures (min/max)	-40 °C / 70 °C	-40 °C / 70 °C	-40 °C / 70 °C
Mounting	DIN rail 35 mm	DIN rail 35 mm	DIN rail 35 mm
According to standard	EN 61643-21+A1,A2:2013, IEC 61643-21+A1,A2:2012 / D1, C2		
Ordering number	A06499	A05708	A06514

Spare module	BDG-060-V/1-0	BDG-230-V/1-0	BDG-230-V/1-0
Ordering number	A06498	A05403	A05403

Data, signal and telecommunication networks

BDG-...-V/1-FR2

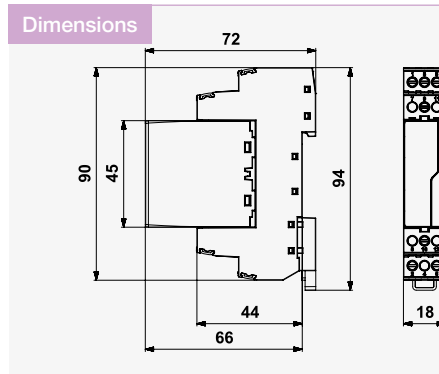
Lightning current arrester

pluggable module, coupling impedance (R – resistance), line separated from protective earth via GDT

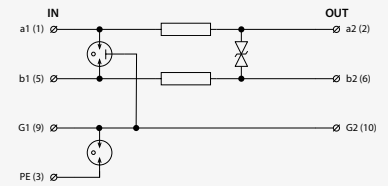
- lightning current arrester with coarse and fine surge protection for 2-core signalling lines
- installation at the boundary of LPZ 0 and LPZ 1 zones at the line entry into building or higher and also installation

- close to protected device
- for protection of communication interfaces of I&C (version BDG-230), MaR systems, electronic security and fire detection systems, etc. (mainly for RS-485 interfaces) against impact of

- surge voltage
- coarse and fine surge protection (core – core, GND) in differential mode and coarse surge protection in common mode (line – PE)



Basic circuit diagram



Parameter / Type		BDG-006-V/1-FR2	BDG-012-V/1-FR2	BDG-024-V/1-FR2	BDG-048-V/1-FR2	BDG-060-V/1-FR2
Connection (input – output)		terminals-terminals	terminals-terminals	terminals-terminals	terminals-terminals	terminals-terminals
Location of SPD		ST 1+2+3	ST 1+2+3	ST 1+2+3	ST 1+2+3	ST 1+2+3
Nominal voltage	U_n	6 V DC	12 V DC	24 V DC	48 V DC	60 V DC
Maximum operating voltage	U_c	6 V AC / 8.5 V DC	11 V AC / 16 V DC	25 V AC / 36 V DC	36 V AC / 51 V DC	45 V AC / 64 V DC
Nominal load current	I_L	2 A	2 A	2 A	2 A	2 A
C2 nominal discharge current (8/20 μ s) per core	I_n	10 kA	10 kA	10 kA	10 kA	10 kA
C2 nominal discharge current (8/20 μ s) per core GND-PE	I_n	10 kA	10 kA	10 kA	10 kA	10 kA
C2 total discharge current (8/20 μ s) cores-PE	I_{Total}	20 kA	20 kA	20 kA	20 kA	20 kA
C3 voltage protection level mode core-core at 1 kV/ μ s	U_p	12 V	22 V	46 V	65 V	85 V
C3 voltage protection level mode core GND-PE at 1 kV/ μ s	U_p	550 V	550 V	550 V	550 V	550 V
C3 voltage protection level mode core-GND at 1 kV/ μ s	U_p	550 V	550 V	550 V	550 V	550 V
D1 lightning impulse current (10/350 μ s) per core	I_{imp}	2.5 kA	2.5 kA	2.5 kA	2.5 kA	2.5 kA
D1 total discharge current (10/350 μ s) cores-PE	I_{Total}	5 kA	5 kA	5 kA	5 kA	5 kA
Response time core-core	t_a	1 ns	1 ns	1 ns	1 ns	1 ns
Response time GND-PE	t_a	100 ns	100 ns	100 ns	100 ns	100 ns
Response time core-GND	t_a	100 ns	100 ns	100 ns	100 ns	100 ns
Serial resistance per core	R	0.4 Ω	0.4 Ω	0.4 Ω	0.4 Ω	0.4 Ω
Threshold frequency core-core	f	1.2 MHz	3 MHz	6 MHz	7 MHz	10 MHz
Cross-section of connected conductors solid (min/max)		0.14 mm ² / 4 mm ²	0.14 mm ² / 4 mm ²	0.14 mm ² / 4 mm ²	0.14 mm ² / 4 mm ²	0.14 mm ² / 4 mm ²
Cross-section of connected conductors stranded (min/max)		0.14 mm ² / 2.5 mm ²	0.14 mm ² / 2.5 mm ²	0.14 mm ² / 2.5 mm ²	0.14 mm ² / 2.5 mm ²	0.14 mm ² / 2.5 mm ²
Degree of protection		IP 20	IP 20	IP 20	IP 20	IP 20
Range of operating temperatures (min/max)		-40 °C / 70 °C	-40 °C / 70 °C	-40 °C / 70 °C	-40 °C / 70 °C	-40 °C / 70 °C
Mounting		DIN rail 35 mm	DIN rail 35 mm	DIN rail 35 mm	DIN rail 35 mm	DIN rail 35 mm
According to standard		EN 61643-21+A1,A2:2013, IEC 61643-21+A1,A2:2012 / D1, C2				
Ordering number		A06469	A06477	A06485	A06493	A06500

Spare module	BDG-006-V/1-0	BDG-012-V/1-0	BDG-024-V/1-0	BDG-048-V/1-0	BDG-060-V/1-0
Ordering number	A05399	A05400	A05401	A05402	A06498

BDG-...-V/2-FR.

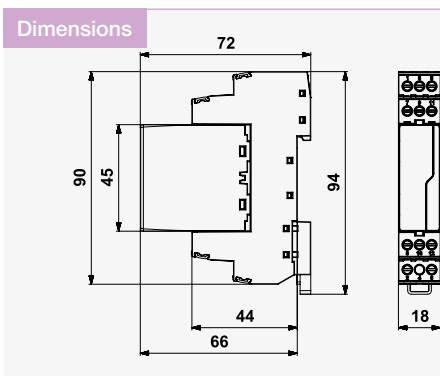
Lightning arrester

pluggable module, coupling impedance (R – resistance), line separated from protective earth via GDT

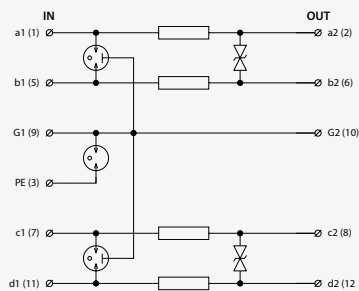
- lightning current arrester with coarse and fine surge protection for 2-core signalling lines
- installation at the boundary of LPZ 0 and LPZ 1 zones at the line entry into building or higher and also installation

- close to protected device
- for protection of communication interfaces of I&C, MaR systems, electronic security and fire detection systems, etc. (mainly for RS-485 interfaces) against impact of surge

- voltage
- coarse and fine surge protection (core – core, GND) in differential mode and coarse surge protection in common mode (line – PE)



Basic circuit diagram



Parameter / Type	BDG-006-V/2-FR1	BDG-012-V/2-FR1	BDG-024-V/2-FR1	BDG-048-V/2-FR1	BDG-060-V/2-FR1	BDG-230-V/2-FR
Connection (input – output)	terminals-terminals	terminals-terminals	terminals-terminals	terminals-terminals	terminals-terminals	terminals-terminals
Location of SPD	ST 1+2+3	ST 1+2+3	ST 1+2+3	ST 1+2+3	ST 1+2+3	ST 1+2+3
Nominal voltage	U_n 6 V DC	12 V DC	24 V DC	48 V DC	60 V DC	230 V DC
Maximum operating voltage	U_c 6 V AC / 8,5 V DC	11 V AC / 16 V DC	25 V AC / 36 V DC	36 V AC / 51 V DC	45 V AC / 64 V DC	177 V AC / 250 V DC
Nominal load current	I_L 1 A	1 A	1 A	1 A	1 A	0,5 A
C2 nominal discharge current (8/20 μ s) per core	I_n 10 kA	10 kA	10 kA	10 kA	10 kA	10 kA
C2 nominal discharge current (8/20 μ s) per core GND-PE	I_n 10 kA	10 kA	10 kA	10 kA	10 kA	20 kA
C2 total discharge current (8/20 μ s) cores-PE	I_{Total} 20 kA	20 kA	20 kA	20 kA	20 kA	10 kA
C3 voltage protection level mode core-core at 1 kV/ μ s	U_p 12 V	22 V	46 V	65 V	85 V	350 V
C3 voltage protection level mode core GND-PE at 1 kV/ μ s	U_p 550 V	550 V	550 V	550 V	550 V	550 V
C3 voltage protection level mode core-GND at 1 kV/ μ s	U_p 550 V	550 V	550 V	550 V	550 V	550 V
D1 lightning impulse current (10/350 μ s) per core	I_{imp} 2,5 kA	2,5 kA	2,5 kA	2,5 kA	2,5 kA	2,5 kA
D1 total discharge current (10/350 μ s) cores-PE	I_{Total} 5 kA	5 kA	5 kA	5 kA	5 kA	5 kA
Response time core-core	t_a 1 ns	1 ns	1 ns	1 ns	1 ns	1 ns
Response time GND-PE	t_a 100 ns	100 ns	100 ns	100 ns	100 ns	100 ns
Response time core-GND	t_a 100 ns	100 ns	100 ns	100 ns	100 ns	100 ns
Serial resistance per core	R 0,8 Ω	0,8 Ω	0,8 Ω	0,8 Ω	0,8 Ω	3,3 Ω
Threshold frequency core-core	f 1,2 MHz	3 MHz	6 MHz	7 MHz	10 MHz	16 MHz
Cross-section of connected conductors solid (min/max)	0,14 mm ² / 4 mm ²	0,14 mm ² / 4 mm ²	0,14 mm ² / 4 mm ²	0,14 mm ² / 4 mm ²	0,14 mm ² / 4 mm ²	0,14 mm ² / 4 mm ²
Cross-section of connected conductors stranded (min/max)	0,14 mm ² / 2,5 mm ²	0,14 mm ² / 2,5 mm ²	0,14 mm ² / 2,5 mm ²	0,14 mm ² / 2,5 mm ²	0,14 mm ² / 2,5 mm ²	0,14 mm ² / 2,5 mm ²
Degree of protection	IP 20	IP 20	IP 20	IP 20	IP 20	IP 20
Range of operating temperatures (min/max)	-40 °C / 70 °C	-40 °C / 70 °C	-40 °C / 70 °C	-40 °C / 70 °C	-40 °C / 70 °C	-40 °C / 70 °C
Mounting	DIN rail 35 mm	DIN rail 35 mm	DIN rail 35 mm	DIN rail 35 mm	DIN rail 35 mm	DIN rail 35 mm
According to standard	EN 61643-21+A1,A2:2013, IEC 61643-21+A1,A2:2012 / D1, C2					
Ordering number	A06472	A06480	A06488	A06496	A06504	A06517

Spare module	BDG-006-V/2-0	BDG-012-V/2-0	BDG-024-V/2-0	BDG-048-V/2-0	BDG-060-V/2-0	BDG-230-V/2-0
Ordering number	A06471	A06479	A06487	A06495	A06503	A06516

BDM-...-V/2-JFR.

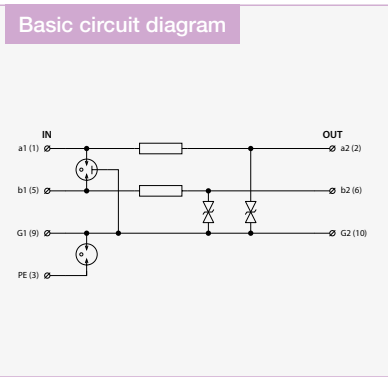
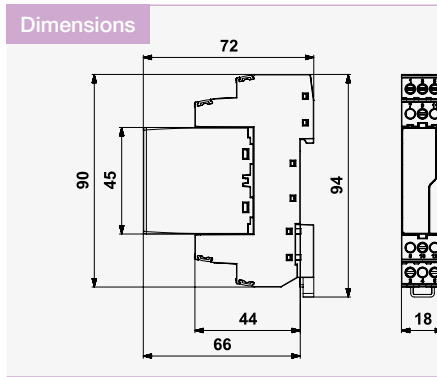
Lightning current arrester

pluggable module, coupling impedance (R – resistance)

- lightning current arrester with coarse and fine surge protection for 2-core signalling lines
- installation at the boundary of LPZ 0 and LPZ 1 zones at the line entry into building or higher and also installation

- close to protected device
- for protection of communication interfaces of I&C, MaR systems, electronic security and fire detection systems, etc. (mainly for RS-485 interfaces) against impact of surge

- voltage
- coarse and fine surge protection (core – core, GND) in differential mode and coarse surge protection in common mode (line – PE)



Parameter / Type	BDM-006-V/2-JFR1	BDM-006-V/2-JFR2	BDM-012-V/2-JFR1	BDM-012-V/2-JFR2	BDM-024-V/2-JFR1	BDM-024-V/2-JFR2
Connection (input – output)	terminals-terminals	terminals-terminals	terminals-terminals	terminals-terminals	terminals-terminals	terminals-terminals
Location of SPD	ST 1+2+3	ST 1+2+3	ST 1+2+3	ST 1+2+3	ST 1+2+3	ST 1+2+3
Nominal voltage	U_n 6 V DC	6 V DC	12 V DC	12 V DC	24 V DC	24 V DC
Maximum operating voltage	U_c 6 V AC / 8,5 V DC	6 V AC / 8,5 V DC	11 V AC / 16 V DC	11 V AC / 16 V DC	25 V AC / 36 V DC	25 V AC / 36 V DC
Nominal load current	I_L 1 A	2 A	1 A	2 A	1 A	2 A
C2 nominal discharge current (8/20 μ s) per core	I_n 10 kA	10 kA	10 kA	10 kA	10 kA	10 kA
C2 nominal discharge current (8/20 μ s) GND-PE	I_n 10 kA	10 kA	10 kA	10 kA	10 kA	10 kA
C2 total discharge current (8/20 μ s) cores-PE	I_{Total} 20 kA	20 kA	20 kA	20 kA	20 kA	20 kA
C3 voltage protection level mode core GND-PE at 1 kV/ μ s	U_p 550 V	550 V	550 V	550 V	550 V	550 V
C3 voltage protection level mode core GND at 1 kV/ μ s	U_p 12 V	12 V	22 V	22 V	46 V	46 V
D1 lightning impulse current (10/350 μ s) per core	I_{imp} 2,5 kA	2,5 kA	2,5 kA	2,5 kA	2,5 kA	2,5 kA
D1 total discharge current (10/350 μ s) cores-PE	I_{Total} 5 kA	5 kA	5 kA	5 kA	5 kA	5 kA
Response time GND-PE	t_a 100 ns	100 ns	100 ns	100 ns	100 ns	100 ns
Response time core-GND	t_a 1 ns	1 ns	1 ns	1 ns	1 ns	1 ns
Serial resistance per core	R 0,8 Ω	0,4 Ω	0,8 Ω	0,4 Ω	0,8 Ω	0,4 Ω
Threshold frequency core-GND	f 0,8 MHz	0,8 MHz	2 MHz	2 MHz	4 MHz	4 MHz
Cross-section of connected conductors solid (min/max)	0,14 mm ² / 4 mm ²	0,14 mm ² / 4 mm ²	0,14 mm ² / 4 mm ²	0,14 mm ² / 4 mm ²	0,14 mm ² / 4 mm ²	0,14 mm ² / 4 mm ²
Cross-section of connected conductors stranded (min/max)	0,14 mm ² / 2,5 mm ²	0,14 mm ² / 2,5 mm ²	0,14 mm ² / 2,5 mm ²	0,14 mm ² / 2,5 mm ²	0,14 mm ² / 2,5 mm ²	0,14 mm ² / 2,5 mm ²
Degree of protection	IP 20	IP 20	IP 20	IP 20	IP 20	IP 20
Range of operating temperatures (min/max)	-40 °C / 70 °C	-40 °C / 70 °C	-40 °C / 70 °C	-40 °C / 70 °C	-40 °C / 70 °C	-40 °C / 70 °C
Mounting	DIN rail 35mm	DIN rail 35mm	DIN rail 35mm	DIN rail 35mm	DIN rail 35mm	DIN rail 35mm
According to standard	EN 61643-21+A1,A2:2013, IEC 61643-21+A1,A2:2012 / D1, C2					
Ordering number	A06390	A06391	A06403	A06404	A06416	A06417

Spare module	BDM-006-V/2-J-0	BDM-006-V/2-J-0	BDM-012-V/2-J-0	BDM-012-V/2-J-0	BDM-024-V/2-J-0	BDM-024-V/2-J-0
Ordering number	A06389	A06389	A06402	A06402	A06415	A06415

BDM-...-V/2-JFR.

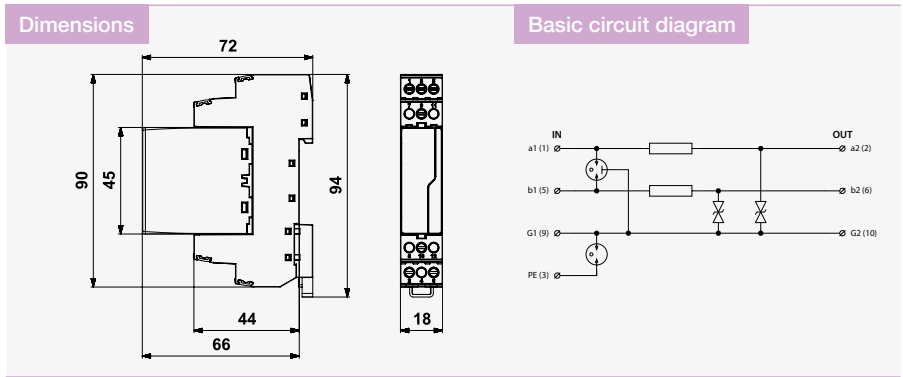
Lightning current arrester

pluggable module, coupling impedance (R – resistance), line separated from protective earth via GDT

- lightning current arrester with coarse and fine surge protection for 2-core signalling lines
- installation at the boundary of LPZ 0 and LPZ 1 zones at the line entry into building or higher and also installation

- close to protected device
- for protection of communication interfaces of I&C, MaR systems, electronic security and fire detection systems, etc. (mainly for RS-485

- interfaces) against impact of surge voltage
- coarse and fine surge protection (core – core, GND) in differential mode and coarse surge protection in common mode (line – PE)



Parameter / Type	BDM-048-V/2-JFR1	BDM-048-V/2-JFR2
Connection (input – output)	terminals-terminals	terminals-terminals
Location of SPD	ST 1+2+3	ST 1+2+3
Nominal voltage U_n	48 V DC	48 V DC
Maximum operating voltage U_c	36 V AC / 51 V DC	36 V AC / 51 V DC
Nominal load current I_L	1 A	2 A
C2 nominal discharge current (8/20 μ s) per core I_n	10 kA	10 kA
C2 nominal discharge current (8/20 μ s) GND-PE I_n	10 kA	10 kA
C2 total discharge current (8/20 μ s) cores-PE I_{Total}	20 kA	20 kA
C3 voltage protection level mode GND-PE at 1 kV/ μ s U_p	550 V	550 V
C3 voltage protection level mode core GND at 1 kV/ μ s U_p	65 V	65 V
D1 lightning impulse current (10/350 μ s) per core I_{imp}	2.5 kA	2.5 kA
D1 total discharge current (10/350 μ s) cores-PE I_{Total}	5 kA	5 kA
Response time GND-PE t_a	100 ns	100 ns
Response time core-GND t_a	1 ns	1 ns
Serial resistance per core R	0.8 Ω	0.4 Ω
Threshold frequency core-GND f	5 MHz	5 MHz
Cross-section of connected conductors solid (min/max)	0.14 mm ² / 4 mm ²	0.14 mm ² / 4 mm ²
Cross-section of connected conductors stranded (min/max)	0.14 mm ² / 2.5 mm ²	0.14 mm ² / 2.5 mm ²
Degree of protection	IP 20	IP 20
Range of operating temperatures (min/max)	-40 °C / 70 °C	-40 °C / 70 °C
Mounting	DIN rail 35mm	DIN rail 35mm
According to standard	EN 61643-21+A1,A2:2013, IEC 61643-21+A1,A2:2012 / D1, C2	
Ordering number	A06429	A06430

Spare module	BDM-048-V/2-J-0	BDM-048-V/2-J-0
Ordering number	A06428	A06428

Data, signal and telecommunication networks

BDM-...-V/4-JFR1

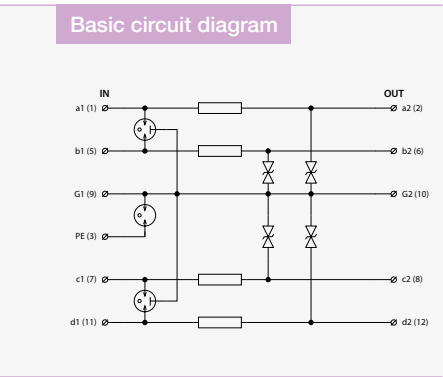
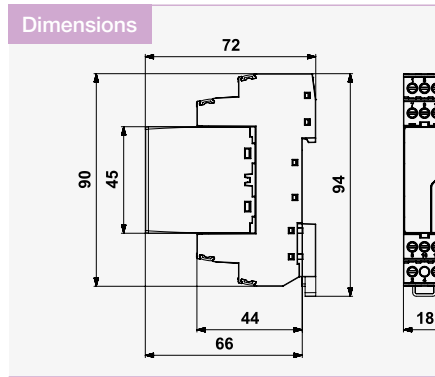
Lightning current arrester

pluggable module, coupling impedance (R – resistance), line separated from protective earth via GDT

- lightning current arrester with coarse and fine surge protection for 4-core signalling lines
- installation at the boundary of LPZ 0 and LPZ 1 zones at the line entry into building or higher and also installation

- close to protected device
- for protection of communication interfaces of I&C, MaR systems, electronic security and fire detection systems, etc. (mainly for RS-485 interfaces) against impact of surge voltage

- coarse and fine surge protection (core – core, GND) in differential mode and coarse surge protection in common mode (line – PE)



Parameter / Type		BDM-006-V/4-JFR1	BDM-012-V/4-JFR1	BDM-024-V/4-JFR1	BDM-048-V/4-JFR1
Connection (input – output)		terminals-terminals	terminals-terminals	terminals-terminals	terminals-terminals
Location of SPD		ST 1+2+3	ST 1+2+3	ST 1+2+3	ST 1+2+3
Nominal voltage	U_n	6 V DC	12 V DC	24 V DC	48 V DC
Maximum operating voltage	U_c	6 V AC / 8.5 V DC	11 V AC / 16 V DC	25 V AC / 36 V DC	36 V AC / 51 V DC
Nominal load current	I_L	1 A	1 A	1 A	1 A
C2 nominal discharge current (8/20 μ s) per core	I_n	10 kA	10 kA	10 kA	10 kA
C2 nominal discharge current (8/20 μ s) GND-PE	I_n	10 kA	10 kA	10 kA	10 kA
C2 total discharge current (8/20 μ s) cores-PE	I_{Total}	20 kA	20 kA	20 kA	20 kA
C3 voltage protection level mode GND-PE at 1 kV/ μ s	U_p	550 V	550 V	550 V	550 V
C3 voltage protection level mode core GND at 1 kV/ μ s	U_p	12 V	22 V	46 V	65 V
D1 lightning impulse current (10/350 μ s) per core	I_{imp}	2.5 kA	2.5 kA	2.5 kA	2.5 kA
D1 total discharge current (10/350 μ s) cores-PE	I_{Total}	5 kA	5 kA	5 kA	5 kA
Response time GND-PE	t_a	100 ns	100 ns	100 ns	100 ns
Response time core-GND	t_a	1 ns	1 ns	1 ns	1 ns
Serial resistance per core	R	0.8 Ω	0.8 Ω	0.8 Ω	0.8 Ω
Threshold frequency core-GND	f	0.8 MHz	2 MHz	4 MHz	5 MHz
Cross-section of connected conductors solid (min/max)		0.14 mm ² / 4 mm ²	0.14 mm ² / 4 mm ²	0.14 mm ² / 4 mm ²	0.14 mm ² / 4 mm ²
Cross-section of connected conductors stranded (min/max)		0.14 mm ² / 2.5 mm ²	0.14 mm ² / 2.5 mm ²	0.14 mm ² / 2.5 mm ²	0.14 mm ² / 2.5 mm ²
Degree of protection		IP 20	IP 20	IP 20	IP 20
Range of operating temperatures (min/max)		-40 °C / 70 °C	-40 °C / 70 °C	-40 °C / 70 °C	-40 °C / 70 °C
Mounting		DIN rail 35mm	DIN rail 35mm	DIN rail 35mm	DIN rail 35mm
According to standard		EN 61643-21+A1,A2:2013, IEC 61643-21+A1,A2:2012 / D1, C2			
Ordering number		A06396	A06409	A06422	A06435

Spare module	BDM-006-V/4-J-0	BDM-012-V/4-J-0	BDM-024-V/4-J-0	BDM-048-V/4-J-0
Ordering number	A06395	A06408	A06421	A06434

BDG-...-V/1-4FR1

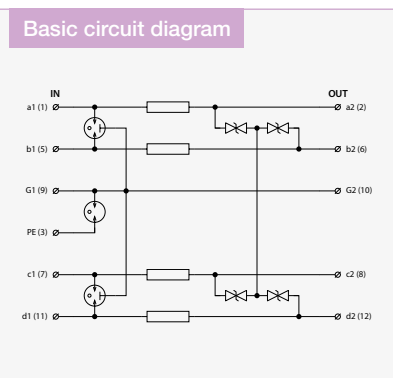
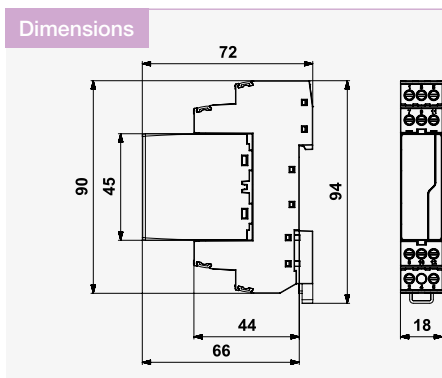
Lightning current arrester

pluggable module, coupling impedance (R – resistance), line separated from protective earth via GDT

- lightning current arrester with coarse and fine surge protection for up to 4-core signalling lines
- installation at the boundary of LPZ 0 and LPZ 1 zones at the line entry into building or higher and also installation

- close to protected device
- for protection of communication interfaces of I&C, MaR systems, electronic security and fire detection systems, etc. (mainly for RS-485 interfaces) against impact of surge voltage

- coarse and fine surge protection (core – core, GND) in differential mode and coarse surge protection in common mode (line – PE)



Parameter / Type		BDG-006-V/1-4FR1	BDG-012-V/1-4FR1	BDG-024-V/1-4FR1	BDG-048-V/1-4FR1
Connection (input – output)		terminals-terminals	terminals-terminals	terminals-terminals	terminals-terminals
Location of SPD		ST 1+2+3	ST 1+2+3	ST 1+2+3	ST 1+2+3
Nominal voltage	U_n	6 V DC	12 V DC	24 V DC	48 V DC
Maximum operating voltage	U_c	6 V AC / 8.5 V DC	11 V AC / 16 V DC	25 V AC / 36 V DC	36 V AC / 51 V DC
Nominal load current	I_L	1 A	1 A	1 A	1 A
C2 nominal discharge current (8/20 μ s) per core	I_n	10 kA	10 kA	10 kA	10 kA
C2 nominal discharge current (8/20 μ s) GND-PE	I_n	10 kA	10 kA	10 kA	10 kA
C2 total discharge current (8/20 μ s) cores-PE	I_{Total}	20 kA	20 kA	20 kA	20 kA
C3 voltage protection level mode core-core at 1 kV/ μ s	U_p	18 V	24 V	46 V	90 V
C3 voltage protection level mode GND-PE at 1 kV/ μ s	U_p	550 V	550 V	550 V	550 V
C3 voltage protection level mode core GND at 1 kV/ μ s	U_p	550 V	550 V	550 V	550 V
D1 lightning impulse current (10/350 μ s) per core	I_{imp}	2.5 kA	2.5 kA	2.5 kA	2.5 kA
D1 total discharge current (10/350 μ s) cores-PE	I_{Total}	5 kA	5 kA	5 kA	5 kA
Response time core-core	t_a	1 ns	1 ns	1 ns	1 ns
Response time GND-PE	t_a	100 ns	100 ns	100 ns	100 ns
Response time core-GND	t_a	100 ns	100 ns	100 ns	100 ns
Serial resistance per core	R	0.8 Ω	0.8 Ω	0.8 Ω	0.8 Ω
Threshold frequency core-core	f	1.2 MHz	3 MHz	6 MHz	7 MHz
Cross-section of connected conductors solid (min/max)		0.14 mm ² / 4 mm ²	0.14 mm ² / 4 mm ²	0.14 mm ² / 4 mm ²	0.14 mm ² / 4 mm ²
Cross-section of connected conductors stranded (min/max)		0.14 mm ² / 2.5 mm ²	0.14 mm ² / 2.5 mm ²	0.14 mm ² / 2.5 mm ²	0.14 mm ² / 2.5 mm ²
Degree of protection		IP 20	IP 20	IP 20	IP 20
Range of operating temperatures (min/max)		-40 °C / 70 °C	-40 °C / 70 °C	-40 °C / 70 °C	-40 °C / 70 °C
Mounting		DIN rail 35mm	DIN rail 35mm	DIN rail 35mm	DIN rail 35mm
According to standard		EN 61643-21+A1,A2:2013, IEC 61643-21+A1,A2:2012 / D1, C2			
Ordering number		A06467	A06475	A06483	A06491

Spare module	BDG-006-V/1-4-0	BDG-012-V/1-4-0	BDG-024-V/1-4-0	BDG-048-V/1-4-0
Ordering number	A06466	A06474	A06482	A06490

Data, signal and telecommunication networks

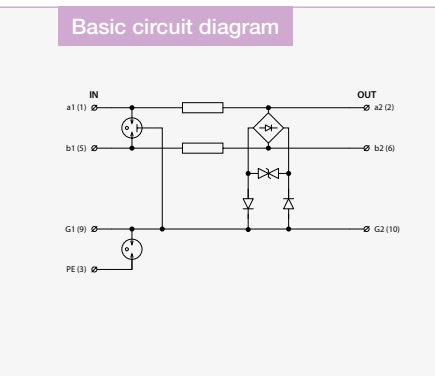
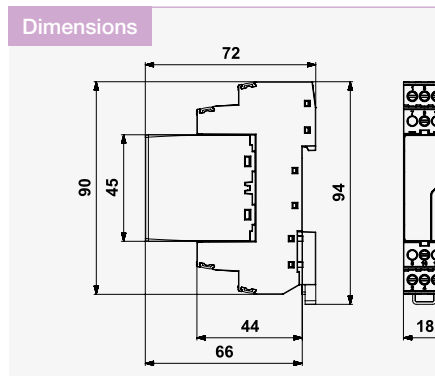
BDMHF-...-V/1-FR1

Combination of coarse and fine surge protection for industrial bus-bar system (for example PROFIBUS)
pluggable module, coupling impedance (R – resistance)

- lightning current arrester with coarse and fine surge protection of 2-core high-speed signalling lines
- installation at the boundary of LPZ 0 and LPZ 1 zones at the line entry into building or higher and also installation

- close to protected device
- for protection of communication interfaces, MaR systems, mainly the RS-485 and PROFIBUS lines, of I&C, MaR, electronic security and fire detection systems, etc. against impact

- of surge voltage
- coarse and fine surge protection in differential mode (core – core) and common mode (core – PE)
- F – the line separated from protective earth via GDT



Parameter / Type	BDMHF-006-V/1-FR1	BDMHF-024-V/1-FR1
Connection (input – output)	terminals-terminals	terminals-terminals
Location of SPD	ST 1+2+3	ST 1+2+3
Nominal voltage	U_n 6 V DC	24 V DC
Maximum operating voltage	U_c 6 V AC / 8.5 V DC	25 V AC / 36 V DC
Nominal load current	I_L 1 A	1 A
C2 nominal discharge current (8/20 μ s) per core	I_n 10 kA	10 kA
C2 nominal discharge current (8/20 μ s) GND-PE	I_n 10 kA	10 kA
C2 total discharge current (8/20 μ s) cores-PE	I_{Total} 20 kA	20 kA
C3 voltage protection level mode core-core at 1 kV/ μ s	U_p 14 V	48 V
C3 voltage protection level mode core-PE at 1 kV/ μ s	U_p –	–
C3 voltage protection level mode GND-PE at 1 kV/ μ s	U_p 550 V	550 V
C3 voltage protection level mode core GND at 1 kV/ μ s	U_p 14 V	48 V
D1 lightning impulse current (10/350 μ s) per core	I_{imp} 2.5 kA	2.5 kA
D1 total discharge current (10/350 μ s) cores-PE	I_{Total} 5 kA	5 kA
Response time core-core	t_a 1 ns	1 ns
Response time core-PE	t_a –	–
Response time GND-PE	t_a 100 ns	100 ns
Response time core-GND	t_a 1 ns	1 ns
Serial resistance per core	R 0.8 Ω	0.8 Ω
Treshold frequency core-core	f 70 MHz	70 MHz
Cross-section of connected conductors solid (min/max)	0.14 mm ² / 4 mm ²	0.14 mm ² / 4 mm ²
Cross-section of connected conductors stranded (min/max)	0.14 mm ² / 2.5 mm ²	0.14 mm ² / 2.5 mm ²
Degree of protection	IP 20	IP 20
Range of operating temperatures (min/max)	-40 °C / 70 °C	-40 °C / 70 °C
According to standard	EN 61643-21+A1,A2:2013, IEC 61643-21+A1,A2:2012 / D1, C2	
Ordering number	A06547	A06553

Spare module	BDMHF-006-V/1-0	BDMHF-024-V/1-0
Ordering number	A06543	A06549

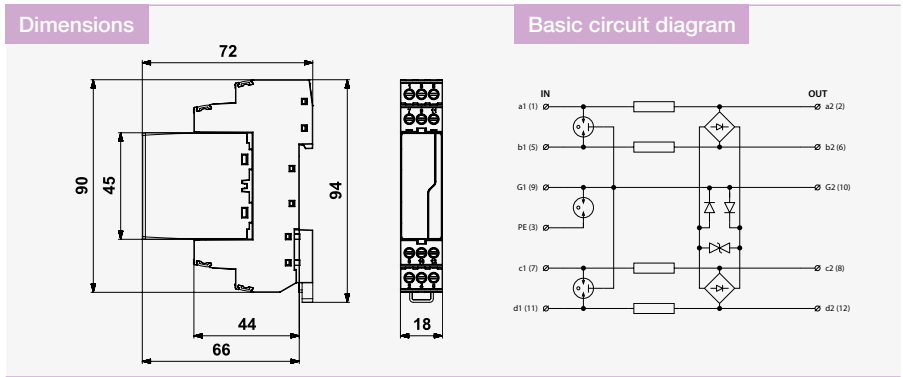
BDMHF-...-V/1-4FR1

Combination of coarse and fine surge protection for industrial bus-bar system (for example PROFIBUS)
pluggable module, coupling impedance (R – resistance)

- lightning current arrester with coarse and fine surge protection of 4-core high-speed signalling lines
- installation at the boundary of LPZ 0 and LPZ 1 zones at the line entry into building or higher and also installation

- close to protected device
- for protection of communication interfaces, MaR systems, mainly the RS-485 and PROFIBUS lines, of I&C, MaR, electronic security and fire detection systems, etc. against impact

- of surge voltage
- coarse and fine surge protection in differential mode (core – core) and common mode (core – PE)
- F – the line separated from protective earth via GDT



Parameter / Type	BDMHF-006-V/1-4FR1	BDMHF-024-V/1-4FR1
Connection (input – output)	terminals-terminals	terminals-terminals
Location of SPD	ST 1+2+3	ST 1+2+3
Nominal voltage U_n	6 V DC	24 V DC
Maximum operating voltage U_c	6 V AC / 8.5 V DC	25 V AC / 36 V DC
Nominal load current I_L	1 A	1 A
C2 nominal discharge current (8/20 μ s) per core I_n	10 kA	10 kA
C2 nominal discharge current (8/20 μ s) GND-PE I_n	10 kA	10 kA
C2 total discharge current (8/20 μ s) cores-PE I_{Total}	20 kA	20 kA
C3 volt. prot. lev. mode core-core at 1 kV/ μ s U_p	16 V	48 V
C3 volt. prot. lev. mode core-PE at 1 kV/ μ s U_p	–	–
C3 volt. prot. lev. mode GND-PE at 1 kV/ μ s U_p	550 V	550 V
C3 volt. prot. lev. mode core GND at 1 kV/ μ s U_p	16 V	48 V
D1 lightning impulse current (10/350 μ s) per core I_{imp}	2.5 kA	2.5 kA
D1 total discharge current (10/350 μ s) cores-PE I_{Total}	5 kA	5 kA
Response time core-core t_a	1 ns	1 ns
Response time core-PE t_a	–	–
Response time GND-PE t_a	100 ns	100 ns
Response time core-GND t_a	1 ns	1 ns
Serial resistance per core R	0.8 Ω	0.8 Ω
Treshold frequency core-core f	70 MHz	70 MHz
Cross-section of connected conductors solid (min/max)	0.14 mm ² / 4 mm ²	0.14 mm ² / 4 mm ²
Cross-section of connected conductors stranded (min/max)	0.14 mm ² / 2.5 mm ²	0.14 mm ² / 2.5 mm ²
Degree of protection	IP 20	IP 20
Range of operating temperatures (min/max)	-40 °C / 70 °C	-40 °C / 70 °C
Mounting	DIN rail 35mm	DIN rail 35mm
According to standard	EN 61643-21+A1,A2:2013, IEC 61643-21+A1,A2:2012 / D1, C2	
Ordering number	A06545	A06551

Spare module	BDMHF-006-V/1-4-0	BDMHF-024-V/1-4-0
Ordering number	A06544	A06550

Data, signal and telecommunication networks

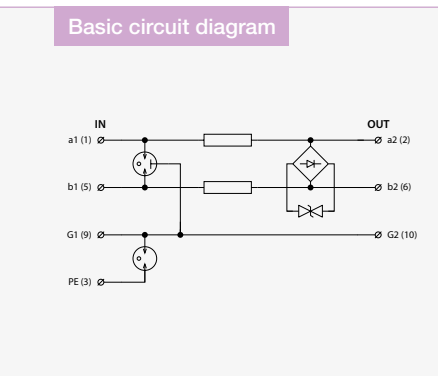
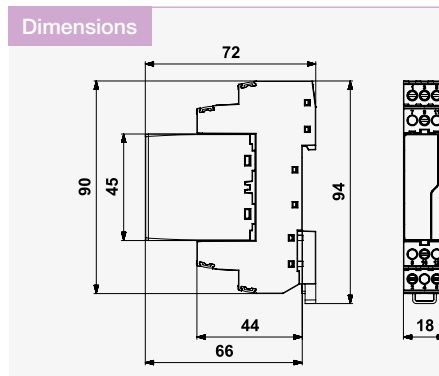
BDGHF-...-V/1-FR.

Combination of coarse and fine surge protection for industrial bus-bar system (for example PROFIBUS) pluggable module, coupling impedance (R – resistance), line separated from protective earth via GDT

- lightning current arrester with coarse and fine surge protection of 2-core high-speed signalling lines
- installation at the boundary of LPZ 0 and LPZ 1 zones at the line entry into building or higher and also installation

- close to protected device
- for protection of telecommunication lines (version BDGHF-230) and interfaces of I&C, MaR systems, electronic security and fire detection systems, etc. (mainly for RS-485,

- PROFIBUS interfaces) against surge voltage
- coarse and fine surge protection in differential mode (core – core) and coarse protection in common mode (core – PE)



Parameter / Type		BDGHF-006-V/1-FR1	BDGHF-012-V/1-FR1	BDGHF-024-V/1-FR1	BDGHF-230-V/1-FR
Connection (input – output)		terminals-terminals	terminals-terminals	terminals-terminals	terminals-terminals
Location of SPD		ST 1+2+3	ST 1+2+3	ST 1+2+3	ST 1+2+3
Nominal voltage	U_n	6 V DC	12 V DC	24 V DC	230 V DC
Maximum operating voltage	U_c	6 V AC / 8.5 V DC	11 V AC / 16 V DC	25 V AC / 36 V DC	177 V AC / 250 V DC
Nominal load current	I_L	1 A	1 A	1 A	0.5 A
C2 nominal discharge current (8/20 μ s) per core	I_n	10 kA	10 kA	10 kA	10 kA
C2 nominal discharge current (8/20 μ s) GND-PE	I_n	10 kA	10 kA	10 kA	10 kA
C2 total discharge current (8/20 μ s) cores-PE	I_{Total}	20 kA	20 kA	20 kA	20 kA
C3 voltage protection level mode core-core at 1 kV/ μ s	U_p	14 V	24 V	48 V	350 V
C3 voltage protection level mode GND-PE at 1 kV/ μ s	U_p	550 V	550 V	550 V	550 V
C3 voltage protection level mode core GND at 1 kV/ μ s	U_p	550 V	550 V	550 V	550 V
D1 lightning impulse current (10/350 μ s) per core	I_{imp}	2.5 kA	2.5 kA	2.5 kA	2.5 kA
D1 total discharge current (10/350 μ s) cores-PE	I_{Total}	5 kA	5 kA	5 kA	5 kA
Response time core-core	t_a	1 ns	1 ns	1 ns	1 ns
Response time GND-PE	t_a	100 ns	100 ns	100 ns	100 ns
Response time core-GND	t_a	100 ns	100 ns	100 ns	100 ns
Serial resistance per core	R	0.8 Ω	0.8 Ω	0.8 Ω	3.3 Ω
Threshold frequency core-core	f	70 MHz	70 MHz	70 MHz	70 MHz
Cross-section of connected conductors solid (min/max)		0.14 mm ² / 4 mm ²	0.14 mm ² / 4 mm ²	0.14 mm ² / 4 mm ²	0.14 mm ² / 4 mm ²
Cross-section of connected conductors stranded (min/max)		0.14 mm ² / 2.5 mm ²	0.14 mm ² / 2.5 mm ²	0.14 mm ² / 2.5 mm ²	0.14 mm ² / 2.5 mm ²
Degree of protection		IP 20	IP 20	IP 20	IP 20
Range of operating temperatures (min/max)		-40 °C / 70 °C	-40 °C / 70 °C	-40 °C / 70 °C	-40 °C / 70 °C
According to standard		EN 61643-21+A1,A2:2013, IEC 61643-21+A1,A2:2012 / D1, C2			
Ordering number		A06520	A06526	A06532	A06538

Spare module	BDGHF-006-V/1-0	BDGHF-012-V/1-0	BDGHF-024-V/1-0	BDGHF-230-V/1-0
Ordering number	A06519	A06525	A06531	A06537

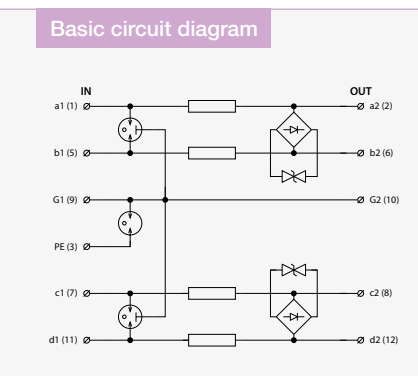
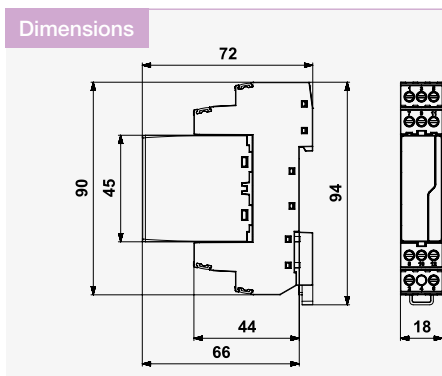
BDGHF-...-V/2-FR.

Combination of coarse and fine surge protection for industrial bus-bar system (for example PROFIBUS) pluggable module, coupling impedance (R – resistance), line separated from protective earth via GDT

- lightning current arrester with coarse and fine surge protection of 2-core high-speed signalling lines
- installation at the boundary of LPZ 0 and LPZ 1 zones at the line entry into building or higher and also installation

- close to protected device
- for protection of telecommunication lines (version BDGHF-230) and interfaces of I&C, MaR systems, electronic security and fire detection systems, etc. (mainly for RS-485,

- PROFIBUS interfaces) against surge voltage
- coarse and fine surge protection in differential mode (core – core) and coarse protection in common mode (core – PE)



Parameter / Type		BDGHF-006-V/2-FR1	BDGHF-012-V/2-FR1	BDGHF-024-V/2-FR1	BDGHF-230-V/2-FR1
Connection (input – output)		terminals-terminals	terminals-terminals	terminals-terminals	terminals-terminals
Location of SPD		ST 1+2+3	ST 1+2+3	ST 1+2+3	ST 1+2+3
Nominal voltage	U_n	6 V DC	12 V DC	24 V DC	230 V DC
Maximum operating voltage	U_c	6 V AC / 8.5 V DC	11 V AC / 16 V DC	25 V AC / 36 V DC	177 V AC / 250 V DC
Nominal load current	I_L	1 A	1 A	1 A	0.5 A
C2 nominal discharge current (8/20 μ s) per core	I_n	10 kA	10 kA	10 kA	10 kA
C2 nominal discharge current (8/20 μ s) GND-PE	I_n	10 kA	10 kA	10 kA	10 kA
C2 total discharge current (8/20 μ s) cores-PE	I_{Total}	20 kA	20 kA	20 kA	20 kA
C3 voltage protection level mode core-core at 1 kV/ μ s	U_p	14 V	24 V	48 V	350 V
C3 voltage protection level mode GND-PE at 1 kV/ μ s	U_p	550 V	550 V	550 V	550 V
C3 voltage protection level mode core GND at 1 kV/ μ s	U_p	550 V	550 V	550 V	550 V
D1 lightning impulse current (10/350 μ s) per core	I_{imp}	2.5 kA	2.5 kA	2.5 kA	2.5 kA
D1 total discharge current (10/350 μ s) cores-PE	I_{Total}	5 kA	5 kA	5 kA	5 kA
Response time core-core	t_a	1 ns	1 ns	1 ns	1 ns
Response time GND-PE	t_a	100 ns	100 ns	100 ns	100 ns
Response time core-GND	t_a	100 ns	100 ns	100 ns	100 ns
Serial resistance per core	R	0.8 Ω	0.8 Ω	0.8 Ω	3.3 Ω
Threshold frequency core-core	f	70 MHz	70 MHz	70 MHz	70 MHz
Cross-section of connected conductors solid (min/max)		0.14 mm ² / 4 mm ²	0.14 mm ² / 4 mm ²	0.14 mm ² / 4 mm ²	0.14 mm ² / 4 mm ²
Cross-section of connected conductors stranded (min/max)		0.14 mm ² / 2.5 mm ²	0.14 mm ² / 2.5 mm ²	0.14 mm ² / 2.5 mm ²	0.14 mm ² / 2.5 mm ²
Degree of protection		IP 20	IP 20	IP 20	IP 20
Range of operating temperatures (min/max)		-40 °C / 70 °C	-40 °C / 70 °C	-40 °C / 70 °C	-40 °C / 70 °C
According to standard		EN 61643-21+A1,A2:2013, IEC 61643-21+A1,A2:2012 / D1, C2			
Ordering number		A06523	A06529	A06535	A06541

Spare module	BDGHF-006-V/2-0	BDGHF-012-V/2-0	BDGHF-024-V/2-0	BDGHF-230-V/2-0
Ordering number	A06522	A06528	A06534	A06540

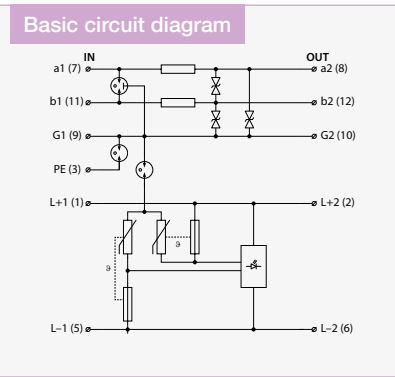
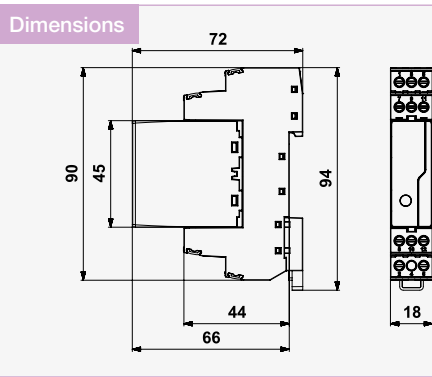
Data, signal and telecommunication networks

DMP-...-V/1-FR1

Combination of coarse and fine surge protection for telecommunication and signalling networks

pluggable module, coupling impedance (R – resistance) in part of data, line separated from protective earth via GDT

- combination of two-stage surge protection of 2-core signalling line in data part and surge protection for ELV in supply part
- installation close to protected equipment
- for protection of interfaces of I&C, electronic security and fire detection systems, etc., mainly for measuring circuits and sensors where signal and supply are transmitted in one cable, against surge voltage



Parameter / Type	DMP-012-V/1-FR1	DMP-024-V/1-FR1
Connection (input - output)	terminals-terminals	terminals-terminals
Location of SPD	ST 2+3	ST 2+3
Nominal voltage U_n	12 V DC	24 V DC
Maximum operating voltage U_c	11 V AC / 16 V DC	25 V AC / 36 V DC
Nominal load current I_L	1 A	1 A
C2 total discharge current (8/20 μ s) cores-PE I_{Total}	20 kA	20 kA
C3 voltage protection level mode core-core at 1 kV/ μ s U_p	22 V	46 V
C3 voltage protection level mode GND-PE at 1 kV/ μ s U_p	550 V	550 V
Response time core-core t_a	1 ns	1 ns
Response time GND-PE t_a	100 ns	100 ns
Serial resistance per core R	0,8 Ω	0,8 Ω
Threshold frequency core-core f	2 MHz	4 MHz
Nominal load current I_L	16 A	16 A
Test voltage L+(L-)-PE U_{oc}	4 kV	4 kV
Voltage protection level L+ - L- U_p	0,18 kV	0,13 kV
Voltage protection level L+(L-)-PE U_p	0,95 kV	0,95 kV
Maximum overcurrent protection	16 A gL/gG or B 16 A	16 A gL/gG or B 16 A
Response time L+ - L- t_a	25 ns	25 ns
Response time L+(L-)-PE t_a	100 ns	100 ns
Cross-section of connected conductors solid (min/max)	0,14 mm ² / 4 mm ²	0,14 mm ² / 4 mm ²
Cross-section of connected conductors stranded (min/max)	0,14 mm ² / 2,5 mm ²	0,14 mm ² / 2,5 mm ²
Fault indication	red indicator	red indicator
Degree of protection	IP 20	IP 20
Range of operating temperatures (min/max)	-40 °C / 70 °C	-40 °C / 70 °C
According to standard	EN 61643-21+A1,A2:2013, IEC 61643-21+A1,A2:2012 / C2	
Ordering number	A05798	A05799

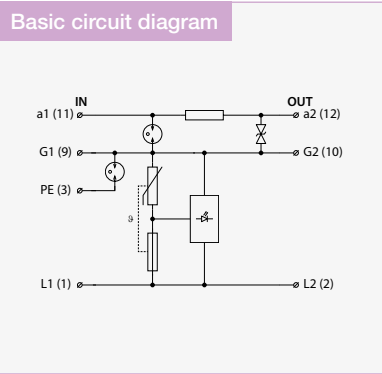
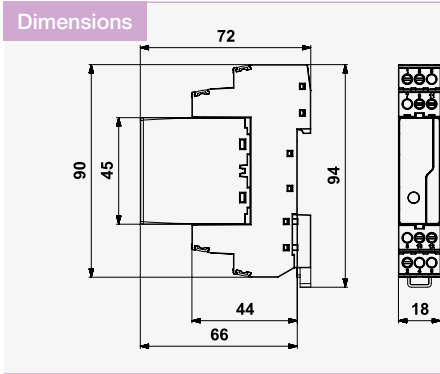
Spare module	DMP-012-V/1-0	DMP-024-V/1-0
Ordering number	A05814	A05815

DMP-...-V/1-JFR1

Combination of coarse and fine surge protection for telecommunication and signalling networks

pluggable module, coupling impedance (R – resistance) in part of data, line separated from protective earth via GDT

- surge protection of 3-core line comprehend signal transmission and supply
- installation close to protected equipment
- for protection of interfaces of I&C, electronic security and fire detection
- systems, etc., mainly for measuring circuits and sensors where signal and supply are transmitted in one cable, against surge voltage
- single common wire for power supply and signal transmission



Parameter / Type	DMP-012-V/1-JFR1	DMP-024-V/1-JFR1
Connection (input - output)	terminals-terminals	terminals-terminals
Location of SPD	ST 2+3	ST 2+3
Nominal voltage U_n	12 V DC	24 V DC
Maximum operating voltage U_c	11 V AC / 16 V DC	25 V AC / 36 V DC
Nominal load current I_L	1 A	1 A
C2 nominal discharge current (8/20 μ s) per core I_n	10 kA	10 kA
C2 nominal discharge current (8/20 μ s) GND-PE I_n	10 kA	10 kA
C3 voltage protection level mode GND-PE at 1 kV/ μ s U_p	550 V	550 V
Response time core-PE t_a	1 ns	-
Response time GND-PE t_a	100 ns	100 ns
Response time core-GND t_a	1 ns	1 ns
Serial resistance per core R	0,8 Ω	0,8 Ω
Threshold frequency core-core f	2 MHz	4 MHz
Nominal load current I_L	16 A	16 A
Test voltage L+(L-)-PE U_{oc}	4 kV	4 kV
Voltage protection level L+(L-)-PE U_p	0,75 kV	0,75 kV
Maximum overcurrent protection	16 A gL/gG or B 16 A	16 A gL/gG or B 16 A
Response time L+(L-)-PE	100 ns	100 ns
Cross-section of connected conductors solid (min/max)	0,14 mm ² / 4 mm ²	0,14 mm ² / 4 mm ²
Cross-section of connected conductors stranded (min/max)	0,14 mm ² / 2,5 mm ²	0,14 mm ² / 2,5 mm ²
Fault indication	red indicator	red indicator
Degree of protection	IP 20	IP 20
Range of operating temperatures (min/max)	-40 °C / 70 °C	-40 °C / 70 °C
According to standard	EN 61643-21+A1,A2:2013, IEC 61643-21+A1,A2:2012 / C2	
Ordering number	A05802	A05803

Spare module	DMP-012-V/1-J-0	DMP-024-V/1-J-0
Ordering number	A05816	A05817

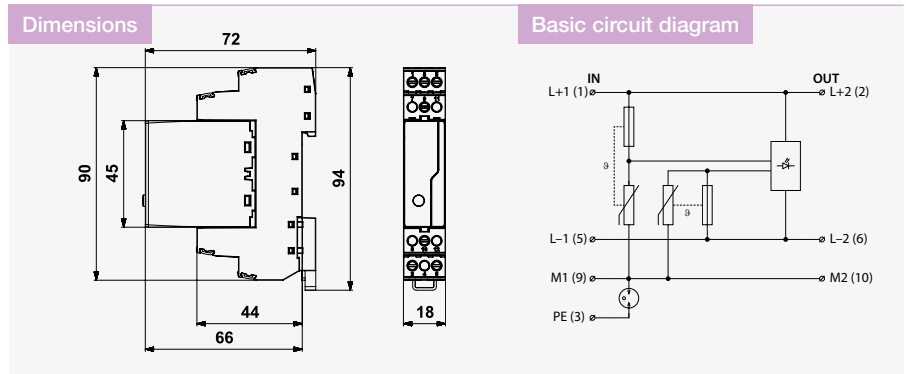
Data, signal and telecommunication networks

DP-...-V/1-F16

Surge Arrester for installations with extra low voltage

pluggable module, visual fault signalling, middle conductor separated from protective earth via GDT

- surge protection for all types of LV electric and electronic equipments against surge voltage
- installation to LV installations, close to protected equipment
- for protection of the equipments against impact of induced overvoltages during a lightning strike or switching overvoltages

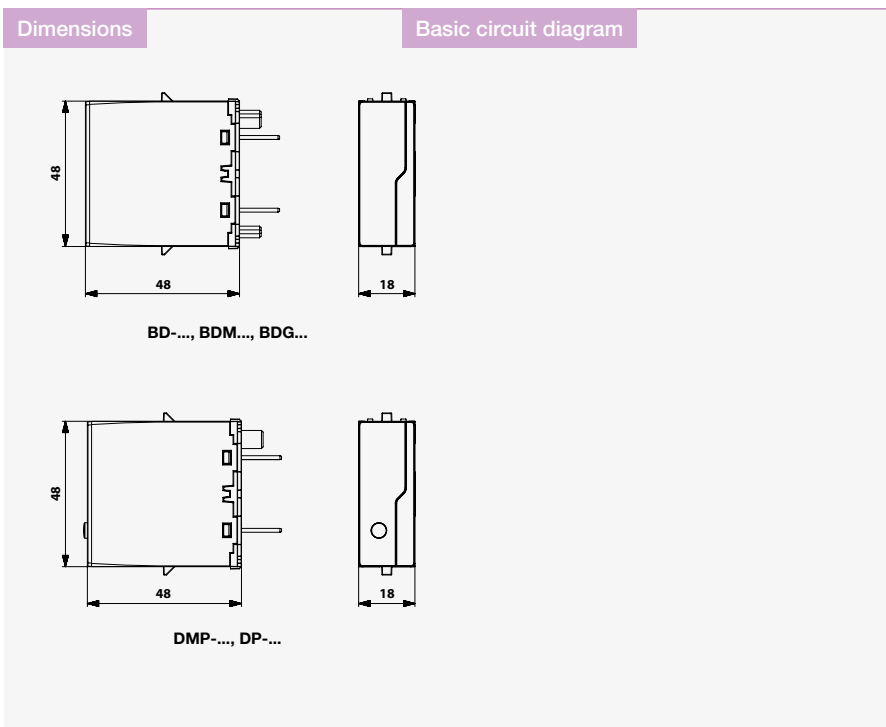


Parameter / Type		DP-012-V/1-F16	DP-024-V/1-F16	DP-048-V/1-F16
Connection (input - output)		terminals-terminals	terminals-terminals	terminals-terminals
Location of SPD		ST 2	ST 2	ST 2
Nominal voltage	U_n	12 V AC	24 V AC	48 V AC
Maximum operating voltage	U_c	20 V AC / 20 V DC	34 V AC / 34 V DC	60 V AC / 60 V DC
Nominal load current	I_L	16 A	16 A	16 A
C2 nominal discharge current (8/20 μ s) per core	I_n	2 kA	2 kA	2 kA
C2 voltage protection level mode core-core at In	U_p	180 V	230 V	370 V
C2 voltage protection level mode core-PE at In	U_p	750 V	750 V	750 V
C2 voltage protection level mode core-PE at In		750 V	750 V	750 V
Test voltage L+ - L-		4 kV	4 kV	4 kV
Test voltage L+(L-)-PE		4 kV	4 kV	4 kV
Test voltage M-PE		4 kV	4 kV	4 kV
Voltage protection level L+ - L-		0,18 kV	0,23 kV	0,37 kV
Voltage protection level L+(L-)-PE		0,75 kV	0,75 kV	0,75 kV
Voltage protection level M-PE		0,75 kV	0,75 kV	0,75 kV
Maximum overcurrent protection		16 A gL/gG or B 16 A	16 A gL/gG or B 16 A	16 A gL/gG or B 16 A
Response time L+ - L-		25 ns	25 ns	25 ns
Response time L+(L-)-PE		100 ns	100 ns	100 ns
Response time M-PE		100 ns	100 ns	100 ns
Cross-section of connected conductors solid (min/max)		0,14 mm ² / 4 mm ²	0,14 mm ² / 4 mm ²	0,14 mm ² / 4 mm ²
Cross-section of connected conductors stranded (min/max)		0,14 mm ² / 2,5 mm ²	0,14 mm ² / 2,5 mm ²	0,14 mm ² / 2,5 mm ²
Fault indication		red indicator	red indicator	red indicator
Degree of protection		IP 20	IP 20	IP 20
Range of operating temperatures (min/max)		-40 °C / 70 °C	-40 °C / 70 °C	-40 °C / 70 °C
Mounting		DIN rail 35 mm	DIN rail 35 mm	DIN rail 35 mm
According to standard		EN 61643-21+A1,A2:2013, IEC 61643-21+A1,A2:2012, EN 61643-11:2012, IEC 61643-11:2011 / T3, C2		
Ordering number		A05664	A05665	A05666

Spare module	DP-012-V/1-0	DP-024-V/1-0	DP-048-V/1-0
Ordering number	A05692	A05693	A05694

BD/BDM/BDG/BDMHF/BDGHF/DMP/DP-...-V/-0

Spare modules for SPDs for data/signalling/telecommunication networks



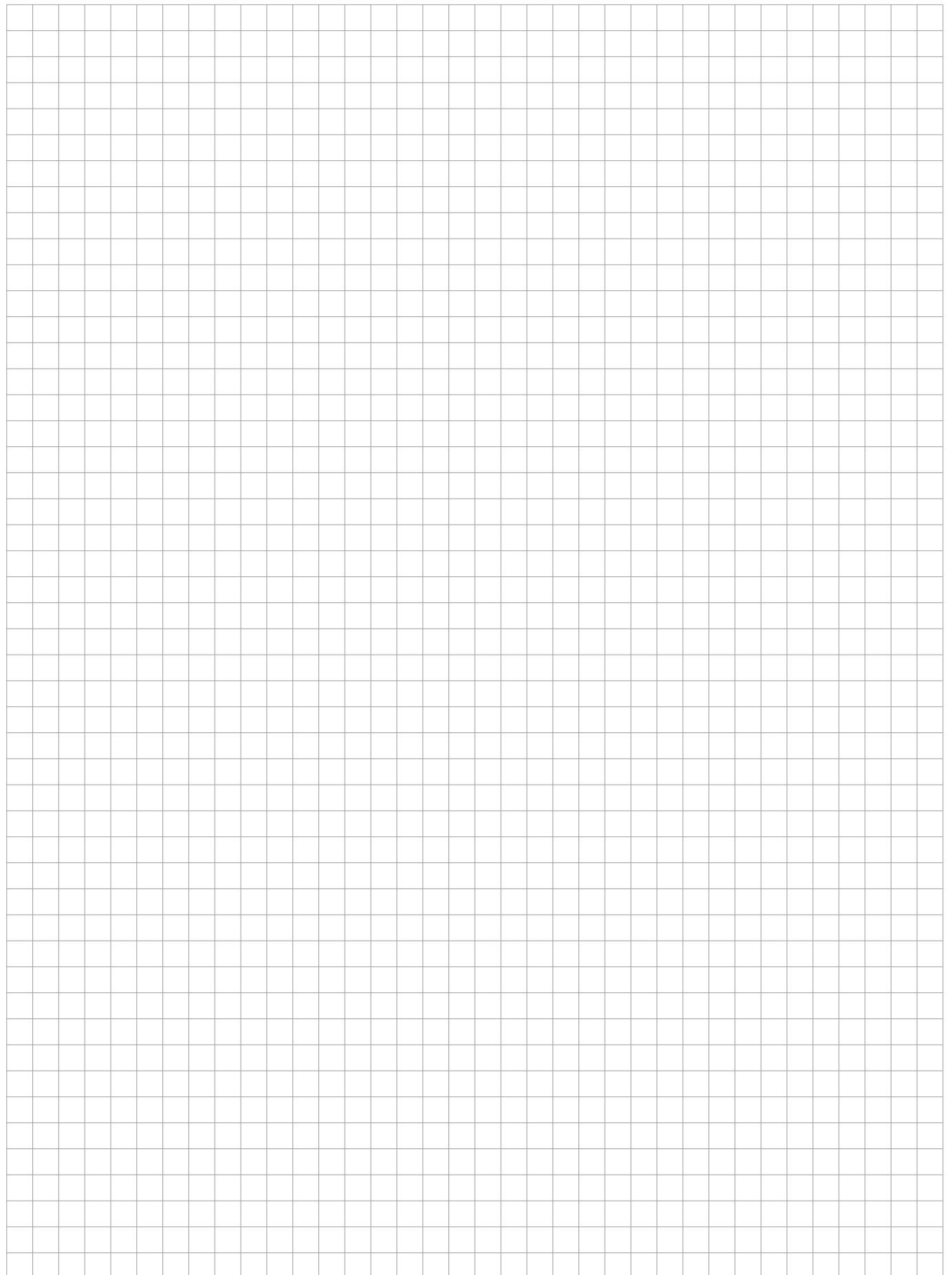
Type	Ordering number
BD-090-T-V/2-0	A05390
BD-250-T-V/2-0	A05391
BDM-006-V/1-0	A05501
BDM-012-V/1-0	A05502
BDM-024-V/1-0	A05503
BDM-048-V/1-0	A05504
BDM-230-V/1-0	A05505
DMP-012-V/1-0	A05814
DMP-024-V/1-0	A05815
DMP-012-V/1-J-0	A05816
DMP-024-V/1-J-0	A05817
DP-012-V/1-0	A05692
DP-024-V/1-0	A05693
DP-048-V/1-0	A05694
BDM-060-V/1-0	A06437
BDM-006-V/2-0	A06387
BDM-012-V/2-0	A06400
BDM-024-V/2-0	A06413
BDM-048-V/2-0	A06426
BDM-060-V/2-0	A06442
BDM-230-V/2-0	A06463

Type	Ordering number
BDG-230-V/1-0	A05403
BDG-006-V/1-0	A05399
BDG-012-V/1-0	A05400
BDG-024-V/1-0	A05401
BDG-048-V/1-0	A05402
BDG-060-V/1-0	A06498
BDG-006-V/2-0	A06471
BDG-012-V/2-0	A06479
BDG-024-V/2-0	A06487
BDG-048-V/2-0	A06495
BDG-060-V/2-0	A06503
BDG-230-V/2-0	A06516
BDM-006-V/2-J-0	A06389
BDM-012-V/2-J-0	A06402
BDM-024-V/2-J-0	A06415
BDM-048-V/2-J-0	A06428
BDM-006-V/4-J-0	A06395
BDM-012-V/4-J-0	A06408
BDM-024-V/4-J-0	A06421
BDM-048-V/4-J-0	A06434
BDG-006-V/1-4-0	A06466
BDG-012-V/1-4-0	A06474
BDG-024-V/1-4-0	A06482
BDG-048-V/1-4-0	A06490

Type	Ordering number
BDMHF-006-V/1-0	A06543
BDMHF-024-V/1-0	A06549
BDMHF-006-V/1-4-0	A06544
BDMHF-024-V/1-4-0	A06550
BDGHF-006-V/1-0	A06519
BDGHF-012-V/1-0	A06525
BDGHF-024-V/1-0	A06531
BDGHF-230-V/1-0	A06537
BDGHF-006-V/2-0	A06522
BDGHF-012-V/2-0	A06528
BDGHF-024-V/2-0	A06534
BDGHF-230-V/2-0	A06540

Data, signal and telecommunication networks

Notes



SPDs for data/signalling/telecommunication networks

Compact devices



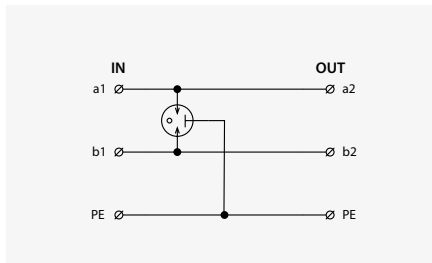
- SPDs with coarse and fine protection
- For 1 up to 4-core lines
- Multiple core lines save the space

- Line BD – lightning current arresters
- Line DM – for 2/3/4-core communication lines
- Line DMS – with current limiting
- Line DP – for extra-low voltage supply
- Line DPF – with integrated RFI filter

Overview of SPDs for data/signalling/telecommunication networks

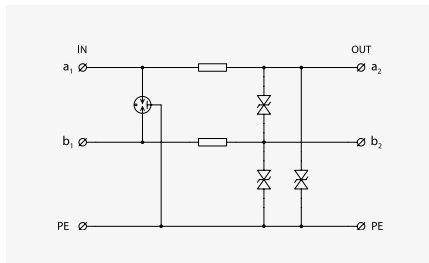
Compact devices

BD-...T



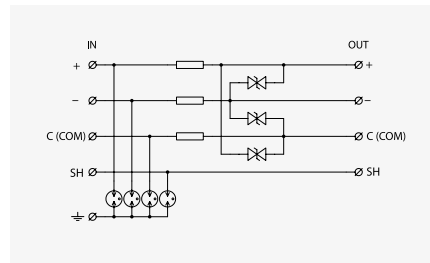
2 core line incoming from LPZ 0 to structure.
See page: 125

DM-...



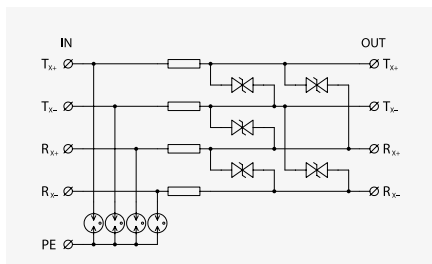
2-3 cores line incoming from LPZ 0 to structure with one-pole connected with ground.
See page: 126-128

DM- .../1 3R(L) DJ



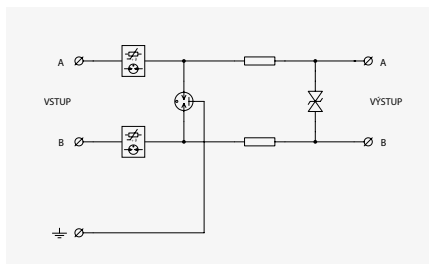
3 core floating line with shielding.
See page: 129-130

DM- .../1 4R DJ



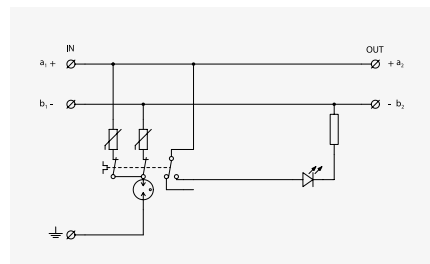
4 core floating line.
See page: 131

DMS-...-T



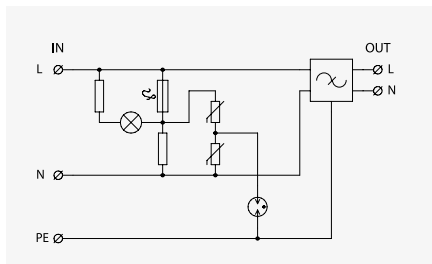
2 core line with current limiting function.
See page: 132

DP-...



Power supply 12, 24, 48, 60 V up to 16 A.
See page: 133

DPF-024

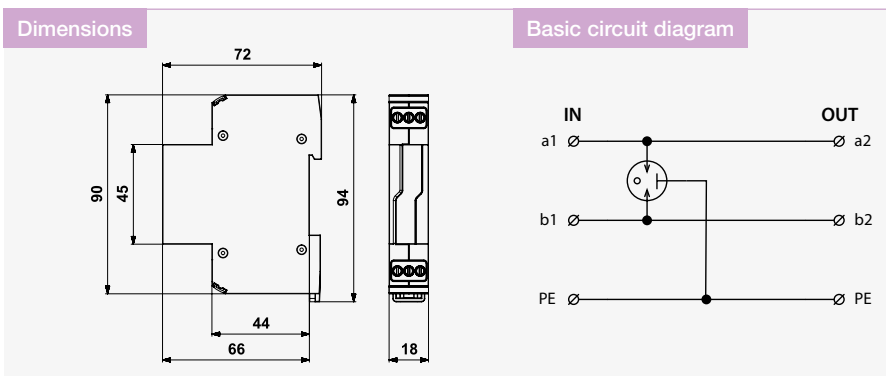


Power supply 24 V up to 6 A with integrated RFI filter.
See page: 134

BD-...-T

Lightning Current Arrester compact device

- lightning current arrester of 2-core signalling lines
- installation at the boundary of LPZ 0 and LPZ 1 zones at the line entry into building
- mainly for protection of telecommunication lines against surge voltage



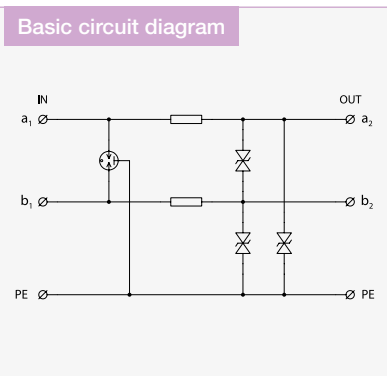
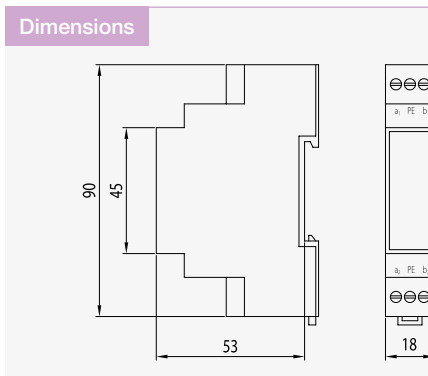
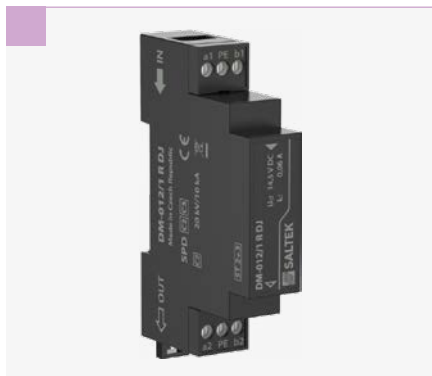
Parameter / Type		BD-090-T	BD-250-T
Connection (input - output)		terminals-terminals	terminals-terminals
Location of SPD		ST 1	ST 1
Maximum operating voltage	U_c	50 V AC / 70 V DC	128 V AC / 180 V DC
Nominal load current	I_L	1,6 A	1,6 A
C2 nominal discharge current (8/20 μ s) per core	I_n	10 kA	10 kA
C2 total discharge current (8/20 μ s) cores-PE	I_{Total}	20 kA	20 kA
D1 impulse discharge current (10/350 μ s) core-core	I_{imp}	2,5 kA	2,5 kA
D1 total discharge current (10/350 μ s) cores-PE	I_{Total}	5 kA	5 kA
C3 voltage protection level mode core-core at 1 kV/ μ s	U_p	550 V	550 V
C3 voltage protection level mode core-PE at 1 kV/ μ s	U_p	550 V	550 V
Response time core-core	t_a	100 ns	100 ns
Response time core-PE	t_a	100 ns	100 ns
Cross-section of connected conductors solid (min/max)		0,14 mm ² / 4 mm ²	0,14 mm ² / 4 mm ²
Cross-section of connected conductors stranded (min/max)		0,14 mm ² / 2,5 mm ²	0,14 mm ² / 2,5 mm ²
Degree of protection		IP 20	IP 20
Range of operating temperatures (min/max)		-40 °C / 70 °C	-40 °C / 70 °C
Mounting		DIN rail 35 mm	DIN rail 35 mm
According to standard		EN 61643-21+A1,A2:2013, IEC 61643-21+A1,A2:2012 / D1, C2	
Ordering number		A05821	A05822

Data, signal and telecommunication networks

DM-.../1 R DJ

Combination of coarse and fine surge protection for telecommunication and signalling networks
coupling impedance (R – resistance)

- coarse and fine surge protection for 2-core signalling lines
- installation close to protected equipment
- for protection of communication interfaces of I&C, electronic security and fire detection systems, etc. (mainly for RS-485 interfaces) against impact of surge voltage
- coarse and fine surge protection in differential mode (core – core) and common mode (core – PE)

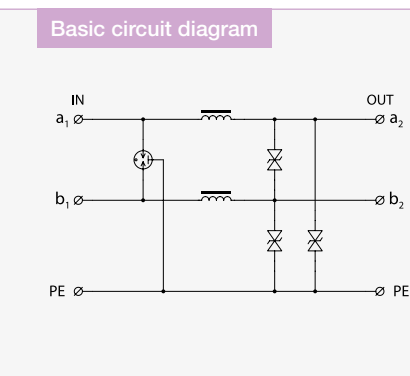
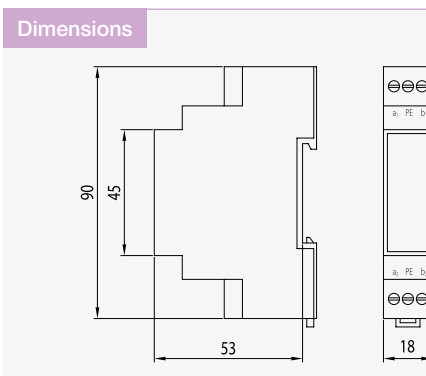
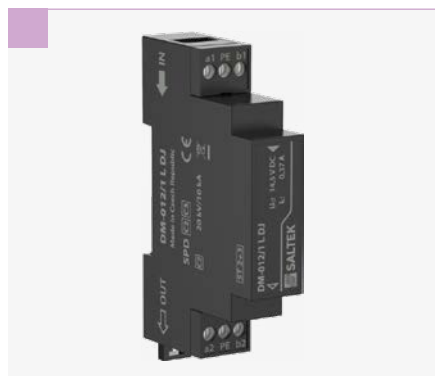


Parameter/Type	DM-006/1 R DJ	DM-012/1 R DJ	DM-024/1 R DJ	DM-048/1 R DJ
Connection (input - output)	terminals-terminals	terminals-terminals	terminals-terminals	terminals-terminals
Location of SPD	ST 2+3	ST 2+3	ST 2+3	ST 2+3
Nominal voltage U_n	6 V DC	12 V DC	24 V DC	48 V DC
Maximum operating voltage U_c	5,7 V AC / 8,1 V DC	10,2 V AC / 14,5 V DC	20,6 V AC / 29,1 V DC	35,6 V AC / 50,2 V DC
Nominal load current I_L	0,06 A	0,06 A	0,06 A	0,06 A
C2 nominal discharge current (8/20 μ s) per core I_n	10 kA	10 kA	10 kA	10 kA
C2 voltage protection level mode core-core at In U_p	25 V	35 V	50 V	80 V
C2 voltage protection level mode core-PE at In U_p	20 V	35 V	50 V	80 V
C3 voltage protection level mode core-core at 1 kV/ μ s U_p	12 V	20 V	40 V	70 V
C3 voltage protection level mode core-PE at 1 kV/ μ s U_p	15 V	30 V	48 V	75 V
Response time core-core t_a	1 ns	1 ns	1 ns	1 ns
Response time core-PE t_a	1 ns	1 ns	1 ns	1 ns
Serial resistance per core R	6,8 Ω	6,8 Ω	6,8 Ω	6,8 Ω
Threshold frequency core-core f	1 MHz	1,7 MHz	3,4 MHz	7 MHz
Cross-section of connected conductors solid (max)	4 mm ²	4 mm ²	4 mm ²	4 mm ²
Cross-section of connected conductors stranded (max)	2,5 mm ²	2,5 mm ²	2,5 mm ²	2,5 mm ²
Degree of protection	IP 20	IP 20	IP 20	IP 20
Range of operating temperatures (min/max)	-40 °C / 80 °C	-40 °C / 80 °C	-40 °C / 80 °C	-40 °C / 80 °C
Mounting	DIN rail 35 mm	DIN rail 35 mm	DIN rail 35 mm	DIN rail 35 mm
According to standard	EN 61643-21+A1,A2:2013, IEC 61643-21+A1,A2:2012 / C2,C3			
Ordering number	A00930	A00931	A00932	A00933

DM-.../1 L DJ

Combination of coarse and fine surge protection for telecommunication and signalling networks
coupling impedance (L – inductance)

- coarse and fine surge protection for 2-core signalling lines
- installation close to protected equipment
- for protection of communication interfaces of I&C, electronic security and fire detection systems, etc. (mainly for RS-485 interfaces) against impact of surge voltage
- coarse and fine surge protection in differential mode (core – core) and common mode (core – PE)



Parameter / Type	DM-006/1 L DJ	DM-012/1 L DJ	DM-024/1 L DJ	DM-048/1 L DJ
Connection (input - output)	terminals-terminals	terminals-terminals	terminals-terminals	terminals-terminals
Location of SPD	ST 2+3	ST 2+3	ST 2+3	ST 2+3
Nominal voltage U_n	6 V DC	12 V DC	24 V DC	48 V DC
Maximum operating voltage U_c	5,7 V AC / 8,1 V DC	10,2 V AC / 14,5 V DC	20,6 V AC / 29,1 V DC	35,6 V AC / 50,2 V DC
Nominal load current I_L	0,37 A	0,37 A	0,37 A	0,37 A
C2 nominal discharge current (8/20 μ s) per core I_n	10 kA	10 kA	10 kA	10 kA
C2 voltage protection level mode core-core at In U_p	25 V	35 V	50 V	80 V
C2 voltage protection level mode core-PE at In U_p	20 V	35 V	50 V	80 V
C3 voltage protection level mode core-core at 1 kV/ μ s U_p	12 V	20 V	40 V	70 V
C3 voltage protection level mode core-PE at 1 kV/ μ s U_p	15 V	30 V	48 V	75 V
Response time core-core t_a	1 ns	1 ns	1 ns	1 ns
Response time core-PE t_a	1 ns	1 ns	1 ns	1 ns
Serial inductance per core L	100 μ H	100 μ H	100 μ H	100 μ H
Threshold frequency core-core f	0,16 MHz	0,16 MHz	0,16 MHz	0,16 MHz
Cross-section of connected conductors solid (max)	4 mm ²	4 mm ²	4 mm ²	4 mm ²
Cross-section of connected conductors stranded (max)	2,5 mm ²	2,5 mm ²	2,5 mm ²	2,5 mm ²
Degree of protection	IP 20	IP 20	IP 20	IP 20
Range of operating temperatures (min/max)	-40 °C / 80 °C	-40 °C / 80 °C	-40 °C / 80 °C	-40 °C / 80 °C
Mounting	DIN rail 35 mm	DIN rail 35 mm	DIN rail 35 mm	DIN rail 35 mm
According to standard	EN 61643-21+A1,A2:2013, IEC 61643-21+A1,A2:2012 / C2,C3			
Ordering number	A01557	A01352	A01237	A01353

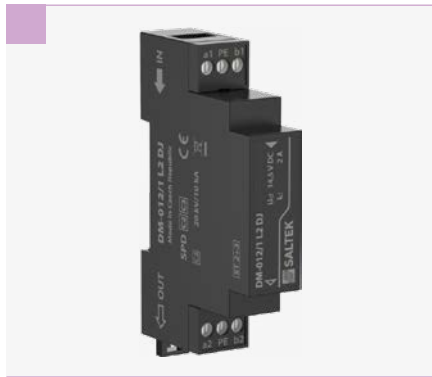
Data, signal and telecommunication networks

DM-.../1 L2 DJ

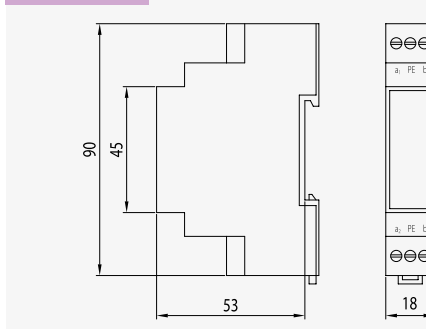
Combination of coarse and fine surge protection for telecommunication and signalling networks

coupling impedance (L – inductance)

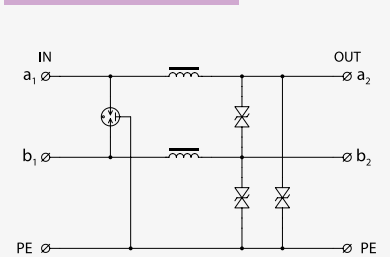
- coarse and fine surge protection for 2-core signalling lines
- installation close to protected equipment
- for protection of communication interfaces of I&C, electronic security and fire detection systems, etc. (mainly for RS-485 interfaces) against impact of surge voltage
- coarse and fine surge protection in differential mode (core – core) and common mode (core – PE)



Dimensions



Basic circuit diagram



Parameter / Type	DM-006/1 L2 DJ	DM-012/1 L2 DJ	DM-024/1 L2 DJ	DM-048/1 L2 DJ
Connection (input - output)	terminals-terminals	terminals-terminals	terminals-terminals	terminals-terminals
Location of SPD	ST 2+3	ST 2+3	ST 2+3	ST 2+3
Nominal voltage U_n	6 V DC	12 V DC	24 V DC	48 V DC
Maximum operating voltage U_c	5,7 V AC / 8,1 V DC	10,2 V AC / 14,5 V DC	20,6 V AC / 29,1 V DC	35,6 V AC / 50,2 V DC
Nominal load current I_L	2 A	2 A	2 A	2 A
C2 nominal discharge current (8/20 μ s) per core I_n	10 kA	10 kA	10 kA	10 kA
C2 voltage protection level mode core-core at In U_p	25 V	35 V	50 V	80 V
C2 voltage protection level mode core-PE at In U_p	20 V	35 V	50 V	80 V
C3 voltage protection level mode core-core at 1 kV/ μ s U_p	12 V	20 V	40 V	70 V
C3 voltage protection level mode core-PE at 1 kV/ μ s U_p	15 V	30 V	48 V	75 V
Response time core-core t_a	1 ns	1 ns	1 ns	1 ns
Response time core-PE t_a	1 ns	1 ns	1 ns	1 ns
Serial inductance per core L	25 μ H	25 μ H	25 μ H	25 μ H
Threshold frequency core-core f	0,55 MHz	0,6 MHz	0,6 MHz	0,6 MHz
Cross-section of connected conductors solid (max)	4 mm ²	4 mm ²	4 mm ²	4 mm ²
Cross-section of connected conductors stranded (max)	2,5 mm ²	2,5 mm ²	2,5 mm ²	2,5 mm ²
Degree of protection	IP 20	IP 20	IP 20	IP 20
Range of operating temperatures (min/max)	-40 °C / 80 °C	-40 °C / 80 °C	-40 °C / 80 °C	-40 °C / 80 °C
Mounting	DIN rail 35 mm	DIN rail 35 mm	DIN rail 35 mm	DIN rail 35 mm
According to standard	EN 61643-21+A1,A2:2013, IEC 61643-21+A1,A2:2012 / C2,C3			
Ordering number	A01332	A01331	A01333	A01334

DM-.../1 3R DJ

Combination of coarse and fine surge protection for telecommunication and signalling networks
coupling impedance (R – resistance)

- coarse and fine surge protection for 3-core signalling lines
 - installation close to protected equipment
 - for protection of communication interfaces of I&C, electronic security and fire detection systems, etc.
- (mainly for RS-485 interfaces) against impact of surge voltage
- coarse and fine surge protection in differential mode (core – core) and coarse protection in common mode (core – PE)



Dimensions

Basic circuit diagram

Parameter / Type	DM-006/1 3R DJ	DM-012/1 3R DJ	DM-024/1 3R DJ
Connection (input - output)	terminals-terminals	terminals-terminals	terminals-terminals
Location of SPD	ST 2+3	ST 2+3	ST 2+3
Nominal voltage U_n	6 V DC	12 V DC	24 V DC
Maximum operating voltage U_c	5,7 V AC / 8,1 V DC	10,2 V AC / 14,5 V DC	20,6 V AC / 29,1 V DC
Nominal load current I_L	0,06 A	0,06 A	0,06 A
C2 nominal discharge current (8/20 μ s) per core I_n	10 kA	10 kA	10 kA
C2 voltage protection level mode core-core at In U_p	25 V	35 V	50 V
C2 voltage protection level mode core-PE at In U_p	350 V	350 V	350 V
C3 voltage protection level mode core-core at 1 kV/ μ s U_p	12 V	20 V	40 V
C3 voltage protection level mode core-PE at 1 kV/ μ s U_p	650 V	650 V	650 V
Response time core-core t_a	1 ns	1 ns	1 ns
Response time core-PE t_a	100 ns	100 ns	100 ns
Serial resistance per core R	6,8 Ω	6,8 Ω	6,8 Ω
Threshold frequency core-core f	1 MHz	1,7 MHz	3,4 MHz
Cross-section of connected conductors solid (max)	4 mm ²	4 mm ²	4 mm ²
Cross-section of connected conductors stranded (max)	2,5 mm ²	2,5 mm ²	2,5 mm ²
Degree of protection	IP 20	IP 20	IP 20
Range of operating temperatures (min/max)	-40 °C / 80 °C	-40 °C / 80 °C	-40 °C / 80 °C
Mounting	DIN rail 35 mm	DIN rail 35 mm	DIN rail 35 mm
According to standard	EN 61643-21+A1,A2:2013, IEC 61643-21+A1,A2:2012 / C2,C3		
Ordering number	A01350	A01349	A01234

Data, signal and telecommunication networks

DM-.../1 3L DJ

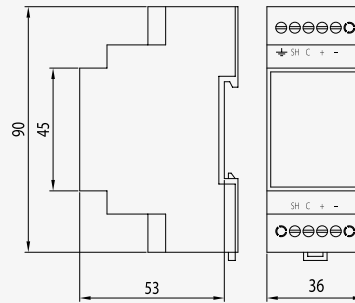
Combination of coarse and fine surge protection for telecommunication and signalling networks

coupling impedance (L – inductance)

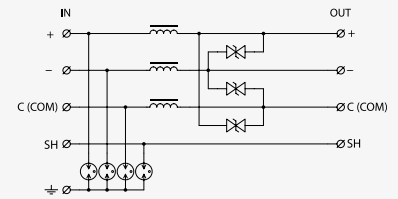
- coarse and fine surge protection for 3-core signalling lines
 - installation close to protected equipment
 - for protection of communication interfaces of I&C, electronic security and fire detection systems, etc.
- (mainly for RS-485 interfaces) against impact of surge voltage
- coarse and fine surge protection in differential mode (core – core) and coarse protection in common mode (core – PE)



Dimensions



Basic circuit diagram



Parameter / Type		DM-006/1 3L DJ	DM-012/1 3L DJ	DM-024/1 3L DJ
Connection (input - output)		terminals-terminals	terminals-terminals	terminals-terminals
Location of SPD		ST 2+3	ST 2+3	ST 2+3
Nominal voltage	U_n	6 V DC	12 V DC	24 V DC
Maximum operating voltage	U_c	5,7 V AC / 8,1 V DC	10,2 V AC / 14,5 V DC	20,6 V AC / 29,1 V DC
Nominal load current	I_L	0,37 A	0,37 A	0,37 A
C2 nominal discharge current (8/20 μ s) per core	I_n	10 kA	10 kA	10 kA
C2 voltage protection level mode core-core at In	U_p	25 V	35 V	50 V
C2 voltage protection level mode core-PE at In	U_p	350 V	350 V	350 V
C3 voltage protection level mode core-core at 1 kV/ μ s	U_p	12 V	20 V	40 V
C3 voltage protection level mode core-PE at 1 kV/ μ s	U_p	650 V	650 V	650 V
Response time core-core	t_a	1 ns	1 ns	1 ns
Response time core-PE	t_a	100 ns	100 ns	100 ns
Serial inductance per core	L	100 μ H	100 μ H	100 μ H
Threshold frequency core-core	f	0,16 MHz	0,16 MHz	0,16 MHz
Cross-section of connected conductors solid (max)		4 mm ²	4 mm ²	4 mm ²
Cross-section of connected conductors stranded (max)		2,5 mm ²	2,5 mm ²	2,5 mm ²
Degree of protection		IP 20	IP 20	IP 20
Range of operating temperatures (min/max)		-40 °C / 80 °C	-40 °C / 80 °C	-40 °C / 80 °C
Mounting		DIN rail 35 mm	DIN rail 35 mm	DIN rail 35 mm
According to standard		EN 61643-21+A1,A2:2013, IEC 61643-21+A1,A2:2012 / C2,C3		
Ordering number		A01402	A02094	A01519

DM-.../1 4R DJ

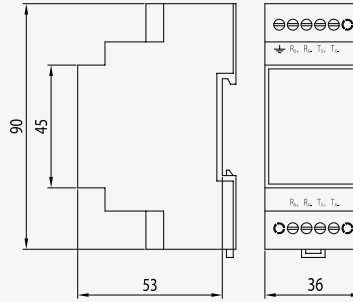
Combination of coarse and fine surge protection for telecommunication and signalling networks

coupling impedance (R – resistance)

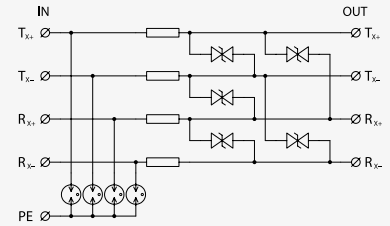
- coarse and fine surge protection for 4-core signalling lines
 - installation close to protected equipment
 - for protection of communication interfaces of I&C, electronic security and fire detection systems, etc.
- (mainly for RS-485 interfaces) against impact of surge voltage
- coarse and fine surge protection in differential mode (core – core) and coarse protection in common mode (core – PE)



Dimensions



Basic circuit diagram



Parameter / Type	DM-006/1 4R DJ	DM-012/1 4R DJ	DM-024/1 4R DJ
Connection (input - output)	terminals-terminals	terminals-terminals	terminals-terminals
Location of SPD	ST 2+3	ST 2+3	ST 2+3
Nominal voltage U_n	6 V DC	12 V DC	24 V DC
Maximum operating voltage U_c	5,7 V AC / 8,1 V DC	10,2 V AC / 14,5 V DC	20,6 V AC / 29,1 V DC
Nominal load current I_L	0,06 A	0,06 A	0,06 A
C2 nominal discharge current (8/20 μ s) per core I_n	10 kA	10 kA	10 kA
C2 voltage protection level mode core-core at In U_p	25 V	35 V	50 V
C2 voltage protection level mode core-PE at In U_p	350 V	350 V	350 V
C3 voltage protection level mode core-core at 1 kV/ μ s U_p	12 V	20 V	40 V
C3 voltage protection level mode core-PE at 1 kV/ μ s U_p	650 V	650 V	650 V
Response time core-core t_a	1 ns	1 ns	1 ns
Response time core-PE t_a	100 ns	100 ns	100 ns
Serial resistance per core R	6,8 Ω	6,8 Ω	6,8 Ω
Threshold frequency core-core f	1 MHz	1,7 MHz	3,4 MHz
Cross-section of connected conductors solid (max)	4 mm ²	4 mm ²	4 mm ²
Cross-section of connected conductors stranded (max)	2,5 mm ²	2,5 mm ²	2,5 mm ²
Degree of protection	IP 20	IP 20	IP 20
Range of operating temperatures (min/max)	-40 °C / 80 °C	-40 °C / 80 °C	-40 °C / 80 °C
Mounting	DIN rail 35 mm	DIN rail 35 mm	DIN rail 35 mm
According to standard	EN 61643-21+A1,A2:2013, IEC 61643-21+A1,A2:2012 / C2,C3		
Ordering number	A01675	A01689	A01357

Data, signal and telecommunication networks

Special Surge Arrester with current limiting coupling impedance (resistance)

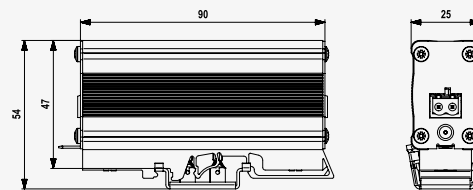
- special two-stage surge protection of 2-core signalling line with current limiting
- installation close to protected equipment
- for protection of communication interfaces, mainly the measuring loops, of I&C, electronic security and fire

detection systems, etc. against surge voltage where are long parallel lines with power network

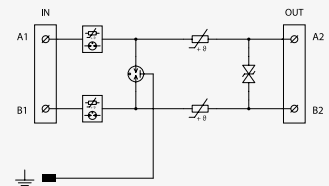
- coarse and fine surge protection in differential mode (core – core) and coarse surge protection in common mode (core – PE)



Dimensions



Basic circuit diagram

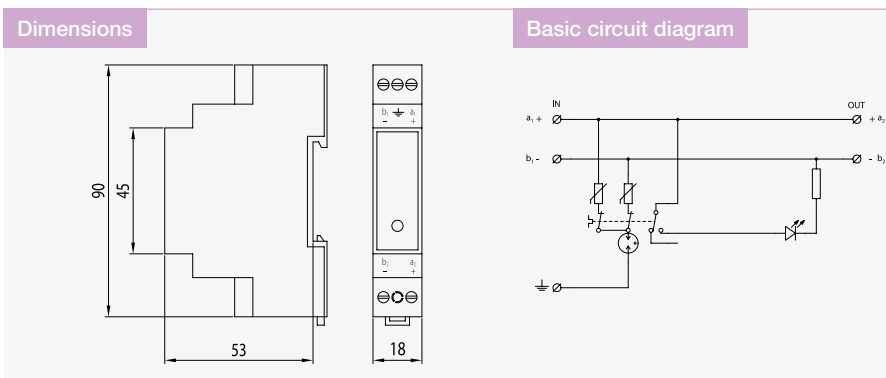


Název parametru / Typ výrobku		DMS-024-T	DMS-048-T
Connection (input - output)		terminals-terminals	terminals-terminals
Location of SPD		ST 2+3	ST 2+3
Nominal voltage	U_n	24 V DC	48 V DC
Maximum operating voltage	U_c	25 V AC / 33 V DC	39 V AC / 56 V DC
Nominal load current	I_L	0,06 A	0,06 A
C2 nominal discharge current (8/20 μ s) per core	I_n	5 kA	5 kA
C2 total discharge current (8/20 μ s) cores-PE	I_{Total}	10 kA	10 kA
C2 voltage protection level mode core-core at In	U_p	75 V	110 V
C2 voltage protection level mode core-PE at In	U_p	500 V	500 V
Response time core-core	t_b	1 ns	1 ns
Response time core-PE	t_b	100 ns	100 ns
Serial resistance per core	R	13 Ω	13 Ω
Threshold frequency core-core	f	1,1 MHz	2,0 MHz
Cross-section of connected conductors solid (max)		2,5 mm ²	2,5 mm ²
Cross-section of connected conductors stranded (max)		2,5 mm ²	2,5 mm ²
Degree of protection		IP 20	IP 20
Range of operating temperatures (min/max)		-40 °C / 70 °C	-40 °C / 70 °C
Mounting		DIN rail 35 mm	DIN rail 35 mm
According to standard		EN 61643-21+A1,A2:2013, IEC 61643-21+A1,A2:2012 / C2	
Ordering number		A06596	A06597

DP-...

Surge Arrester for installations with extra low voltage visual fault signalling

- surge protection for all types of LV electric and electronic equipments against surge voltage
- installation to LV installations, close to protected equipment
- for protection of the equipments against impact of induced overvoltages during a lightning strike or switching overvoltages



Parameter / Type		DP-012	DP-024	DP-048
Connection (input - output)		terminals-terminals	terminals-terminals	terminals-terminals
Location of SPD		ST 2	ST 2	ST 2
Nominal voltage	U_n	12 V AC	24 V AC	48 V AC
Maximum operating voltage	U_c	22 V AC / 28 V DC	34 V AC / 44 V DC	70 V AC / 90 V DC
Nominal load current	I_L	16 A	16 A	16 A
C2 nominal discharge current (8/20 μ s) per core	I_n	2 kA	2 kA	2 kA
C2 voltage protection level mode core-core at In	U_p	160 V	200 V	360 V
C2 voltage protection level mode core-PE at In	U_p	530 V	530 V	550 V
Nominal discharge current (8/20 μ s) a-b	I_n	2 000 A	2 000 A	2 000 A
Nominal discharge current (8/20 μ s) a(b)-PE	I_n	2 000 A	2 000 A	2 000 A
Test voltage a-b	U_{oc}	4 kV	4 kV	4 kV
Test voltage a(b)-PE	U_{oc}	4 kV	4 kV	4 kV
Voltage protection level a-b	U_p	0,16 kV	0,2 kV	0,36 kV
Voltage protection level a(b)-PE	U_p	0,53 kV	0,53 kV	0,55 kV
Maximum overcurrent protection		16 A gL/gG or C 16 A	16 A gL/gG or C 16 A	16 A gL/gG or C 16 A
Response time a-b	t_a	25 ns	25 ns	25 ns
Response time a(b)-PE	t_a	100 ns	100 ns	100 ns
Cross-section of connected conductors solid (max)		4 mm ²	4 mm ²	4 mm ²
Cross-section of connected conductors stranded (max)		2,5 mm ²	2,5 mm ²	2,5 mm ²
Fault indication		red indicator	red indicator	red indicator
Degree of protection		IP 20	IP 20	IP 20
Range of operating temperatures (min/max)		-40 °C / 80 °C	-40 °C / 80 °C	-40 °C / 80 °C
Mounting		DIN rail 35 mm	DIN rail 35 mm	DIN rail 35 mm
According to standard		EN 61643-21+A1,A2:2013, IEC 61643-21+A1,A2:2012, EN 61643-11:2012, IEC 61643-11:2011 / T3, C2		
Ordering number		A02187	A01604	A02188

Data, signal and telecommunication networks

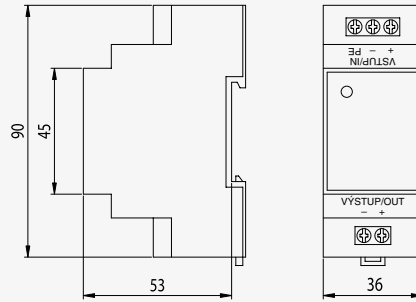
DPF-024

Surge Arrester for installations with extra low voltage
visual fault signalling

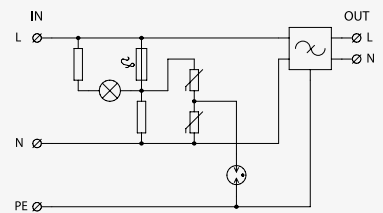
- surge protection with integrated RFI filter
- installation to LV installations, close to protected equipment
- for protection of control systems, electronic security and fire systems against impact of transient overvoltage and RF disturbance



Dimensions



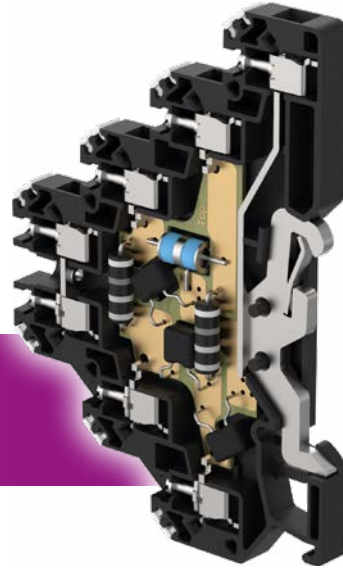
Basic circuit diagram



Parameter / Type	DPF-024	
Connection (input - output)	terminals-terminals	
Nominal voltage	U_n	24 V AC
Maximum operating voltage	U_c	40 V AC / 50 V DC
Nominal load current	I_L	6 A
C2 nominal discharge current (8/20 μ s) per core	I_n	0,5 kA
Test voltage L-N	U_{oc}	1 kV
Test voltage L/N-PE	U_{oc}	1 kV
Voltage protection level L-N	U_p	0,2 kV
Voltage protection level L/N-PE	U_p	0,55 kV
Maximum overcurrent protection	6 A gL/gG or C 6 A	
Response time L-N	t_a	25 ns
Response time L/N-PE	t_a	100 ns
RFi filter	yes	
Filter attenuation at 1MHz (50 Ω /50 Ω) unsymmetrical	30 dB	
Cross-section of connected conductors solid (max)	4 mm ²	
Cross-section of connected conductors stranded (max)	2,5 mm ²	
Fault indication	red indicator	
Degree of protection	IP 20	
Range of operating temperatures (min/max)	-40 °C / 80 °C	
Mounting	DIN rail 35 mm	
According to standard	EN 61643-11:2012, IEC 61643-11:2011 / T3	
Ordering number	A03050	

SPDs for data/signalling/telecommunication networks

Terminal blocks with screw terminals



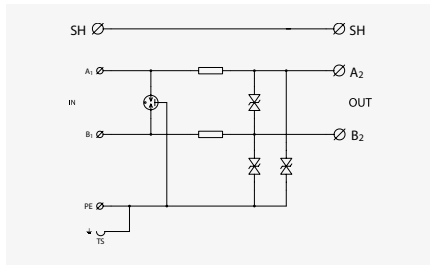
- SPDs with coarse and fine protection
- For single and two-core lines
- Multiple core lines significantly save the space
- Direct grounding via DIN rail clip

- Line DM – for 2/3/4-core communication lines
- Line DMG – with separated signal ground and protective earth
- Line DMJ – for 1-core lines with common ground
- Line DMHF – for high-speed lines
- Line DMLF – with protection against RF disturbance
- Line DS – single-stage protection

Overview of SPDs for data/signalling/telecommunication networks

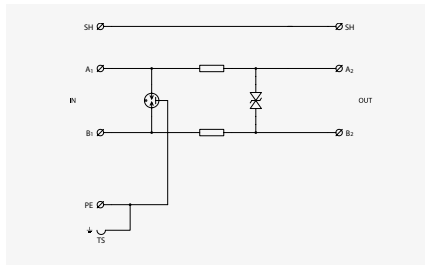
Terminal blocks with screw terminals

DM-.../1-RS



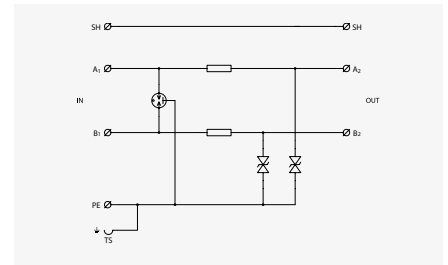
2/3-core line with one pole connected to common ground.
See page: 137

DMG-.../1-RS



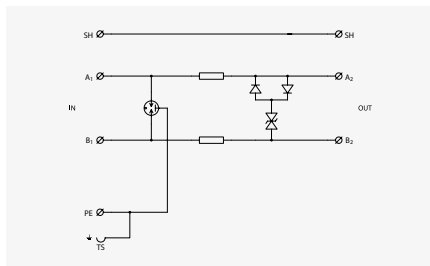
2-core floating line.
See page: 138

DMJ-.../2-RS



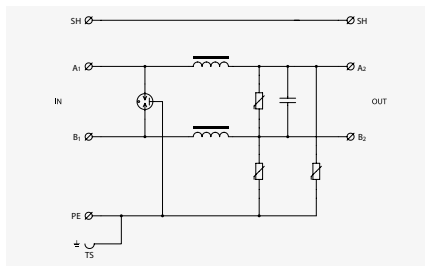
Two single-core lines with common ground.
See page: 139

DMHF-.../1-RS



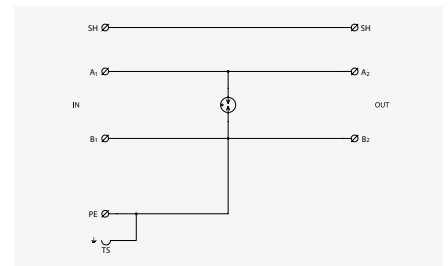
2-core high-speed floating line.
See page: 140

DMLF-.../1-RS



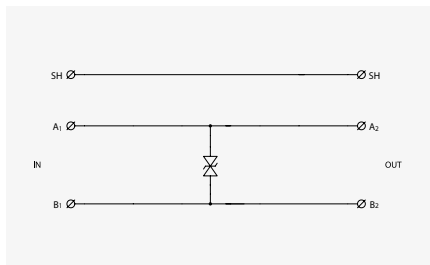
2-core low-frequency line.
See page: 141

DS-B...-RS



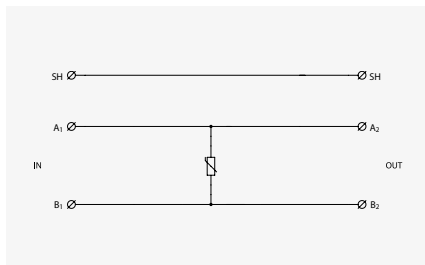
Single stage protection of 2-core line.
See page: 142

DS-D...-RS



Single stage protection of 2-core line.
See page: 142

DS-V...-RS



Single stage protection of 2-core line.
See page: 142

DM-.../1-RS

Combination of coarse and fine surge protection for telecommunication and signalling networks in terminal block
coupling impedance (resistance), screw terminals

- coarse and fine surge protection for 2-core signalling networks
- installation close to protected equipment
- for protection of communication interfaces, mainly the RS-485 lines,

of I&C, electronic security and fire detection systems, etc. against impact of surge voltage

- coarse and fine surge protection in differential mode (core – core) and common mode (core – PE)



Dimensions

*) - without cover
**) - with cover

Basic circuit diagram

Parameter / Type	DM-006/1-RS	DM-012/1-RS	DM-024/1-RS	DM-048/1-RS	DM-060/1-RS	DM-110/1-RS
Connection (input - output)	terminals-terminals	terminals-terminals	terminals-terminals	terminals-terminals	terminals-terminals	terminals-terminals
Location of SPD	ST 2+3	ST 2+3	ST 2+3	ST 2+3	ST 2+3	ST 2+3
Nominal voltage	U_n 6 V DC	12 V DC	24 V DC	48 V DC	60 V DC	110 V DC
Maximum operating voltage	U_c 6 V AC / 8,5 V DC	11 V AC / 16 V DC	25 V AC / 36 V DC	36 V AC / 51 V DC	45 V AC / 64 V DC	85 V AC / 120 V DC
Nominal load current	I_L 0,5 A	0,5 A	0,5 A	0,5 A	0,5 A	0,5 A
C2 nominal discharge current (8/20 μ s) per core	I_n 5 kA	5 kA	5 kA	5 kA	5 kA	5 kA
C2 total discharge current (8/20 μ s) cores-PE	I_{total} 10 kA	10 kA	10 kA	10 kA	10 kA	10 kA
D1 impulse discharge current (10/350 μ s) per core	I_{imp} 0,5 kA	0,5 kA	0,5 kA	0,5 kA	0,5 kA	0,5 kA
C2 voltage protection level mode core-core at In	U_p 18 V	28 V	50 V	80 V	100 V	210 V
C2 voltage protection level mode core-PE at In	U_p 30 V	40 V	65 V	95 V	120 V	230 V
C3 voltage protection level mode core-core at 1 kV/ μ s	U_p 12 V	20 V	45 V	65 V	85 V	170 V
C3 voltage protection level mode core-PE at 1 kV/ μ s	U_p 15 V	20 V	45 V	65 V	85 V	170 V
Response time core-core	t_a 1 ns	1 ns	1 ns	1 ns	1 ns	1 ns
Response time core-PE	t_a 1 ns	1 ns	1 ns	1 ns	1 ns	1 ns
Serial resistance per core	R 1,6 Ω	1,6 Ω	1,6 Ω	1,6 Ω	1,6 Ω	1,6 Ω
Threshold frequency core-core	f 1 MHz	2 MHz	4 MHz	5 MHz	6,5 MHz	10 MHz
Cross-section of connected conductors solid (max)	4 mm ²	4 mm ²	4 mm ²	4 mm ²	4 mm ²	4 mm ²
Cross-section of connected conductors stranded (max)	2,5 mm ²	2,5 mm ²	2,5 mm ²	2,5 mm ²	2,5 mm ²	2,5 mm ²
Degree of protection	IP 20	IP 20	IP 20	IP 20	IP 20	IP 20
Range of operating temperatures (min/max)	-40 °C / 70 °C	-40 °C / 70 °C	-40 °C / 70 °C	-40 °C / 70 °C	-40 °C / 70 °C	-40 °C / 70 °C
Mounting	DIN rail 35 mm	DIN rail 35 mm	DIN rail 35 mm	DIN rail 35 mm	DIN rail 35 mm	DIN rail 35 mm
According to standard	EN 61643-21+A1,A2:2013, IEC 61643-21+A1,A2:2012 / C2,C3					
Ordering number	A05140	A05141	A05142	A05143	A05129	A05130

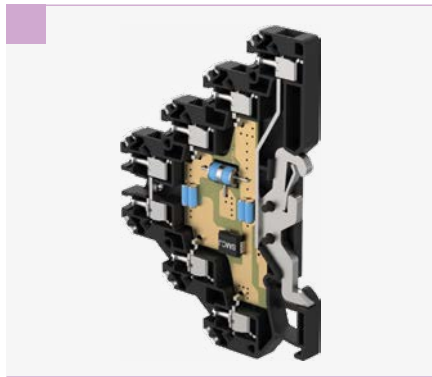
Data, signal and telecommunication networks

	Accessories:	Ordering number	See page
	Connection bridge JRS 10P	B41175	188

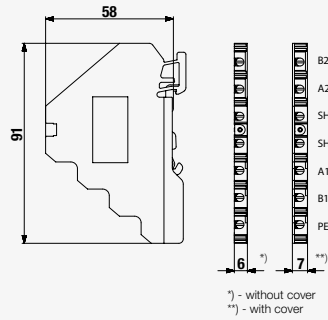
DMG-.../1-RS

Combination of coarse and fine surge protection for telecommunication and signalling networks in terminal block
coupling impedance (resistance), screw terminals

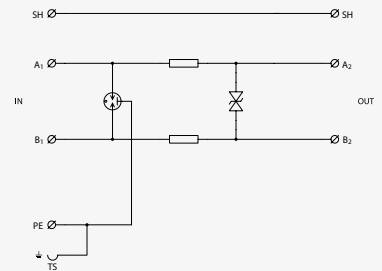
- coarse and fine surge protection for 2-core signalling networks
- installation close to protected equipment
- for protection of communication interfaces and measuring lines of I&C, electronic security and fire detection systems, etc. against impact of surge voltage
- coarse and fine surge protection in differential mode (core – core) and coarse protection in common mode (core – PE)



Dimensions



Basic circuit diagram



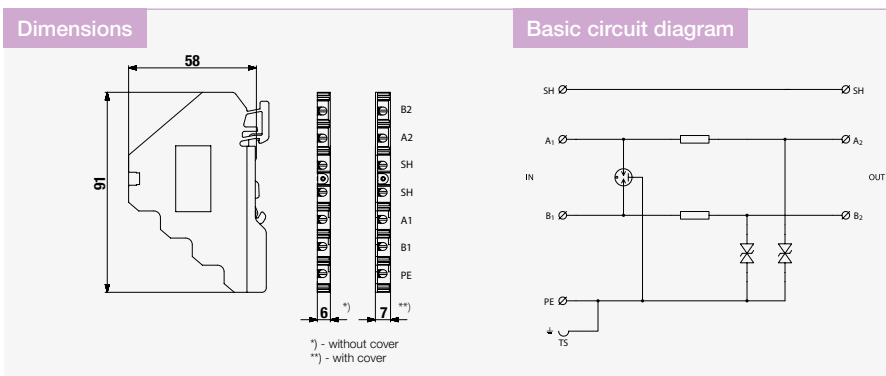
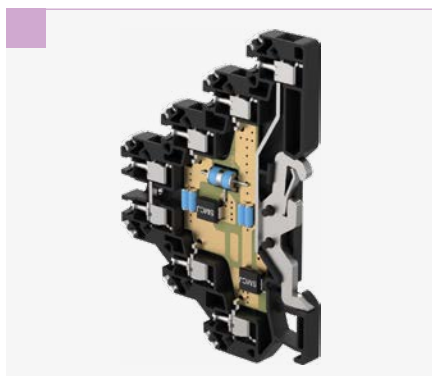
Parameter / Type	DMG-006/1-RS	DMG-012/1-RS	DMG-024/1-RS	DMG-048/1-RS	DMG-060/1-RS	DMG-110/1-RS
Connection (input - output)	terminals-terminals	terminals-terminals	terminals-terminals	terminals-terminals	terminals-terminals	terminals-terminals
Location of SPD	ST 2+3	ST 2+3	ST 2+3	ST 2+3	ST 2+3	ST 2+3
Nominal voltage	U_n 6 V DC	12 V DC	24 V DC	48 V DC	60 V DC	110 V DC
Maximum operating voltage	U_c 6 V AC / 8,5 V DC	11 V AC / 16 V DC	25 V AC / 36 V DC	36 V AC / 51 V DC	45 V AC / 64 V DC	85 V AC / 120 V DC
Nominal load current	I_L 0,5 A	0,5 A	0,5 A	0,5 A	0,5 A	0,5 A
C2 nominal discharge current (8/20 μ s) per core	I_n 5 kA	5 kA	5 kA	5 kA	5 kA	5 kA
C2 total discharge current (8/20 μ s) cores-PE	I_{Total} 10 kA	10 kA	10 kA	10 kA	10 kA	10 kA
D1 impulse discharge current (10/350 μ s) per core	I_{imp} 0,5 kA	0,5 kA	0,5 kA	0,5 kA	0,5 kA	0,5 kA
C2 voltage protection level mode core-core at In	U_p 18 V	28 V	50 V	80 V	100 V	210 V
C2 voltage protection level mode core-PE at In	U_p 350 V	350 V	350 V	350 V	350 V	350 V
C3 voltage protection level mode core-core at 1 kV/ μ s	U_p 12 V	20 V	45 V	65 V	85 V	170 V
C3 voltage protection level mode core-PE at 1 kV/ μ s	U_p 500 V	500 V	500 V	500 V	500 V	500 V
Response time core-core	t_a 1 ns	1 ns	1 ns	1 ns	1 ns	1 ns
Response time core-PE	t_a 100 ns	100 ns	100 ns	100 ns	100 ns	100 ns
Serial resistance per core	R 1,6 Ω	1,6 Ω	1,6 Ω	1,6 Ω	1,6 Ω	1,6 Ω
Threshold frequency core-core	f 1 MHz	2 MHz	4 MHz	5 MHz	6,5 MHz	10 MHz
Cross-section of connected conductors solid (max)	4 mm ²	4 mm ²	4 mm ²	4 mm ²	4 mm ²	4 mm ²
Cross-section of connected conductors stranded (max)	2,5 mm ²	2,5 mm ²	2,5 mm ²	2,5 mm ²	2,5 mm ²	2,5 mm ²
Degree of protection	IP 20	IP 20	IP 20	IP 20	IP 20	IP 20
Range of operating temperatures (min/max)	-40 °C / 70 °C	-40 °C / 70 °C	-40 °C / 70 °C	-40 °C / 70 °C	-40 °C / 70 °C	-40 °C / 70 °C
Mounting	DIN rail 35 mm	DIN rail 35 mm	DIN rail 35 mm	DIN rail 35 mm	DIN rail 35 mm	DIN rail 35 mm
According to standard	EN 61643-21+A1,A2:2013, IEC 61643-21+A1,A2:2012 / C2,C3					
Ordering number	A05132	A05133	A05134	A05135	A05136	A05137

Accessories:	Ordering number	See page
Connection bridge JRS 10P	B41175	188

DMJ-.../2-RS

Combination of coarse and fine surge protection for telecommunication and signalling networks in terminal block
coupling impedance (resistance), screw terminals

- coarse and fine surge protection for two 1-core signalling networks
- installation close to protected equipment
- for protection of communication interfaces and control circuits of I&C, electronic security and fire detection systems, etc. against impact of surge voltage
- coarse and fine surge protection in common mode (core – PE)



Parameter / Type		DMJ-012/2-RS	DMJ-024/2-RS	DMJ-048/2-RS	DMJ-060/2-RS	DMJ-110/2-RS
Connection (input - output)		terminals-terminals	terminals-terminals	terminals-terminals	terminals-terminals	terminals-terminals
Location of SPD		ST 2+3	ST 2+3	ST 2+3	ST 2+3	ST 2+3
Nominal voltage	U_n	12 V DC	24 V DC	48 V DC	60 V DC	110 V DC
Maximum operating voltage	U_c	11 V AC / 16 V DC	25 V AC / 36 V DC	36 V AC / 51 V DC	45 V AC / 64 V DC	85 V AC / 120 V DC
Nominal load current	I_L	0,5 A	0,5 A	0,5 A	0,5 A	0,5 A
C2 nominal discharge current (8/20 μ s) per core	I_n	5 kA	5 kA	5 kA	5 kA	5 kA
C2 total discharge current (8/20 μ s) cores-PE	I_{Total}	10 kA	10 kA	10 kA	10 kA	10 kA
D1 impulse discharge current (10/350 μ s) per core	I_{imp}	0,5 kA	0,5 kA	0,5 kA	0,5 kA	0,5 kA
C2 voltage protection level mode core-PE at I_n	U_p	40 V	65 V	95 V	120 V	230 V
C3 voltage protection level mode core-PE at 1 kV/ μ s	U_p	20 V	45 V	65 V	85 V	170 V
Response time core-PE	t_a	1 ns	1 ns	1 ns	1 ns	1 ns
Serial resistance per core	R	1,6 Ω	1,6 Ω	1,6 Ω	1,6 Ω	1,6 Ω
Threshold frequency core-core	f	2 MHz	4 MHz	5 MHz	6,5 MHz	10 MHz
Cross-section of connected conductors solid (max)		4 mm ²	4 mm ²	4 mm ²	4 mm ²	4 mm ²
Cross-section of connected conductors stranded (max)		2,5 mm ²	2,5 mm ²	2,5 mm ²	2,5 mm ²	2,5 mm ²
Degree of protection		IP 20	IP 20	IP 20	IP 20	IP 20
Range of operating temperatures (min/max)		-40 °C / 70 °C	-40 °C / 70 °C	-40 °C / 70 °C	-40 °C / 70 °C	-40 °C / 70 °C
Mounting		DIN rail 35 mm	DIN rail 35 mm	DIN rail 35 mm	DIN rail 35 mm	DIN rail 35 mm
According to standard		EN 61643-21+A1,A2:2013, IEC 61643-21+A1,A2:2012 / C2,C3				
Ordering number		A05144	A05145	A05131	A05146	A05147

Data, signal and telecommunication networks

	Accessories:	Ordering number	See page
	Connection bridge JRS 10P	B41175	188

DMHF-.../1-RS

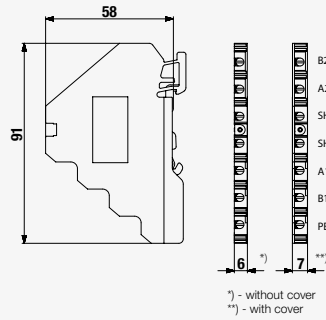
Combination of coarse and fine surge protection for industrial bus-bar system (for example PROFIBUS)

coupling impedance (resistance), screw terminals

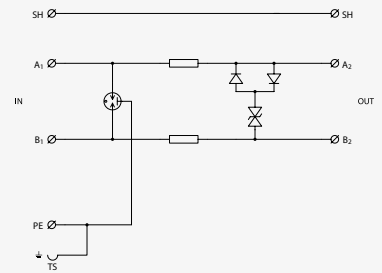
- coarse and fine surge protection of 2-core high-speed signalling lines
- installation close to protected equipment
- for protection of communication interfaces, mainly the RS-485 lines, of I&C, electronic security and fire detection systems, etc. against impact of surge voltage
- coarse and fine surge protection in differential mode (core – core) and coarse surge protection in common mode (core – PE)



Dimensions



Basic circuit diagram



Parameter / Type	DMHF-006/1-RS	DMHF-015/1-RS
Connection (input - output)	terminals-terminals	terminals-terminals
Location of SPD	ST 2+3	ST 2+3
Nominal voltage U_n	6 V DC	15 V DC
Maximum operating voltage U_c	6 V AC / 8,5 V DC	15 V AC / 22 V DC
Nominal load current I_L	0,5 A	0,5 A
C2 nominal discharge current (8/20 μ s) per core I_n	5 kA	5 kA
C2 total discharge current (8/20 μ s) cores-PE I_{Total}	10 kA	10 kA
D1 impulse discharge current (10/350 μ s) per core I_{imp}	0,5 kA	0,5 kA
C2 voltage protection level mode core-core at I_n U_p	26 V	36 V
C2 voltage protection level mode core-PE at I_n U_p	350 V	350 V
C3 voltage protection level mode core-core at 1 kV/ μ s U_p	14 V	28 V
C3 voltage protection level mode core-PE at 1 kV/ μ s U_p	500 V	500 V
Response time core-core t_a	1 ns	1 ns
Response time core-PE t_a	100 ns	100 ns
Serial resistance per core R	1,6 Ω	1,6 Ω
Threshold frequency core-core f	70 MHz	70 MHz
Cross-section of connected conductors solid (max)	4 mm ²	4 mm ²
Cross-section of connected conductors stranded (max)	2,5 mm ²	2,5 mm ²
Degree of protection	IP 20	IP 20
Range of operating temperatures (min/max)	-40 °C / 70 °C	-40 °C / 70 °C
Mounting	DIN rail 35 mm	DIN rail 35 mm
According to standard	EN 61643-21+A1,A2:2013, IEC 61643-21+A1,A2:2012 / C2,C3	
Ordering number	A05138	A05139



Accessories:

Connection bridge JRS 10P

Ordering number

B41175

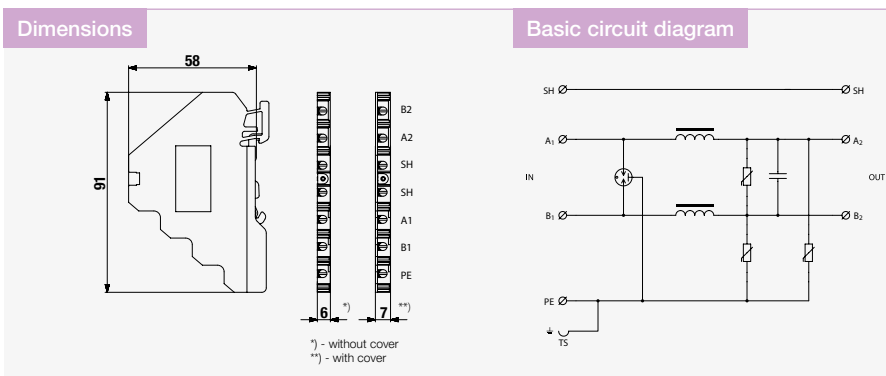
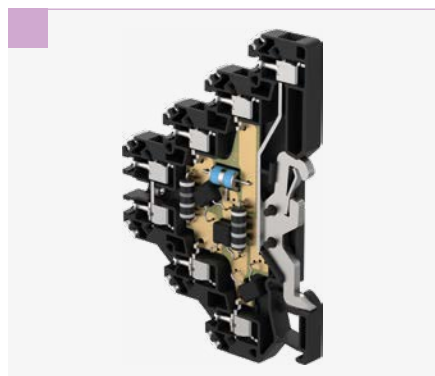
See page

188

DMLF-.../1-RS

Combination of coarse and fine surge protection for telecommunication and signalling networks in terminal block
coupling impedance (inductance), screw terminals

- coarse and fine surge protection for low-frequency 2-core signalling networks
- installation close to protected equipment
- for protection of analogue measuring lines in the areas with RF disturbance
- coarse and fine surge protection in differential mode (core – core) and common mode (core – PE)



Parameter / Type	DMLF-024/1-RS	
Connection (input - output)	terminals-terminals	
Location of SPD	ST 2	
Nominal voltage	U_n	24 V DC
Maximum operating voltage	U_c	31 V DC
Nominal load current	I_L	0,1 A
C2 nominal discharge current (8/20 μ s) per core	I_n	5 kA
C2 total discharge current (8/20 μ s) cores-PE	I_{Total}	10 kA
D1 impulse discharge current (10/350 μ s) per core	I_{imp}	0,5 kA
C2 voltage protection level mode core-core at In	U_p	65 V
C2 voltage protection level mode core-PE at In	U_p	80 V
C3 voltage protection level mode core-core at 1 kV/ μ s	U_p	55 V
C3 voltage protection level mode core-PE at 1 kV/ μ s	U_p	55 V
Response time core-core	t_a	25 ns
Response time core-PE	t_a	25 ns
Threshold frequency core-core	f	0,07 MHz
Cross-section of connected conductors solid (max)	4 mm ²	
Cross-section of connected conductors stranded (max)	2,5 mm ²	
Degree of protection	IP 20	
Range of operating temperatures (min/max)	-40 °C / 70 °C	
Mounting	DIN rail 35 mm	
According to standard	EN 61643-21+A1,A2:2013, IEC 61643-21+A1,A2:2012 / C2,C3	
Ordering number	A05333	

Data, signal and telecommunication networks

	Accessories:	Ordering number	See page
	Connection bridge JRS 10P	B41175	188

DS-...-RS

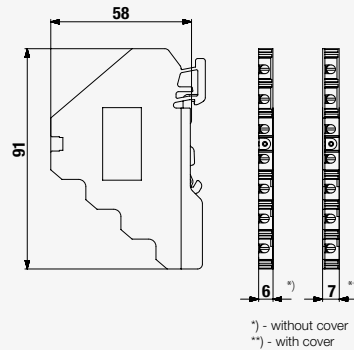
Single stage surge arrester in terminal block

B – Gas Discharge Tube, V – varistors, D – fast suppressor diodes, screw terminal

- coarse single stage surge arrester (B), single stage surge arrester (V), fine single stage surge protection (D)
- for protection of signalling, data and other lines against impact of surge voltage
- version DS-B is usable mainly for the separation of shielding from the protective earth



Dimensions



Basic circuit diagrams on page 136

Parameter / Type		DS-B090-RS	DS-B240-RS	DS-D024-RS	DS-V130-RS
Connection (input - output)		terminals-terminals	terminals-terminals	terminals-terminals	terminals-terminals
Location of SPD		ST 2	ST 2	ST 3	ST 2
Maximum operating voltage	U_c	50 V AC / 70 V DC	127 V AC / 180 V DC	20,6 V AC / 29,1 V DC	140 V AC / 180 V DC
Nominal load current	I_L	16 A	16 A	16 A	16 A
C2 nominal discharge current (8/20 μ s) per core	I_n	10 kA	10 kA	0,3 kA	6 kA
D1 impulse discharge current (10/350 μ s) per core	I_{imp}	0,5 kA	0,5 kA	-	-
C2 voltage protection level mode core-PE at I_n	U_p	-	-	48 V	530 V
C3 voltage protection level mode core-PE at 1 kV/ μ s	U_p	550 V	600 V	-	-
Response time core-PE	t_a	100 ns	100 ns	1 ns	25 ns
Cross-section of connected conductors solid (max)		4 mm ²	4 mm ²	4 mm ²	4 mm ²
Cross-section of connected conductors stranded (max)		2,5 mm ²	2,5 mm ²	2,5 mm ²	2,5 mm ²
Range of operating temperatures (min/max)		-40 °C / 70 °C	-40 °C / 70 °C	-40 °C / 70 °C	-40 °C / 70 °C
Mounting		DIN rail 35 mm	DIN rail 35 mm	DIN rail 35 mm	DIN rail 35 mm
According to standard		EN 61643-21+A1,A2:2013, IEC 61643-21+A1,A2:2012 / C2,C3			
Ordering number		A05148	A05149	A05153	A05151



Accessories:

Connection bridge JRS 10P

Ordering number

B41175

See page

188

SPDs for data/signalling/telecommunication networks

Terminal blocks with screwless terminals



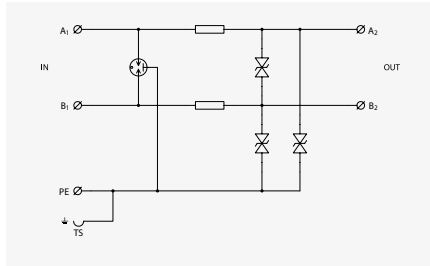
- SPDs with coarse and fine protection
- For single and two-core lines
- Multiple core lines significantly save the space
- Screwless terminals for easy connection

- Line DM – for 2/3/4-core communication lines
- Line DMG – with separated signal ground and protective earth
- Line DMJ – for 1-core lines with common ground
- Line DMHF – for high-speed lines
- Line DMLF – with protection against RF disturbance
- Line DS – single-stage protection

Overview of SPDs for data/signalling/telecommunication networks

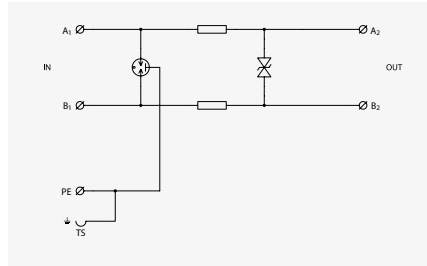
Terminal blocks with screwless terminals

DM-.../1-RB



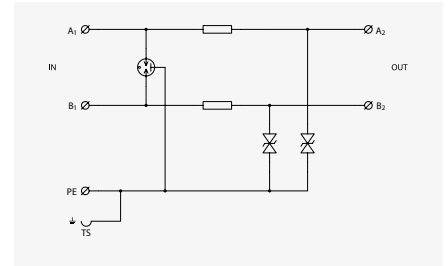
2-core line with one pole connected to common ground.
See page: 145

DMG-.../1-RB



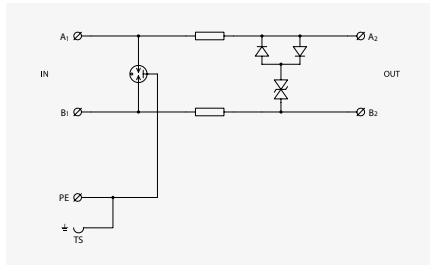
2-core floating line.
See page: 146

DMJ-.../2-RB



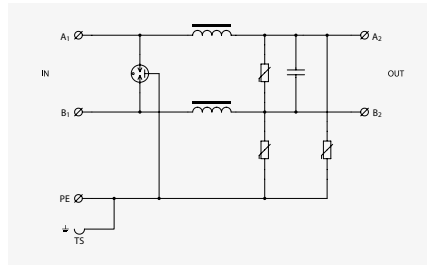
Two single-core lines with common ground.
See page: 147

DMHF-.../1-RB



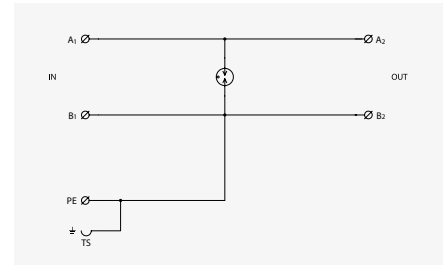
2-core high-speed floating line.
See page: 148

DMLF-024/1-RB



2-core low-frequency line.
See page: 149

DS-B090-RB



Single stage protection of 2-core line.
See page: 150

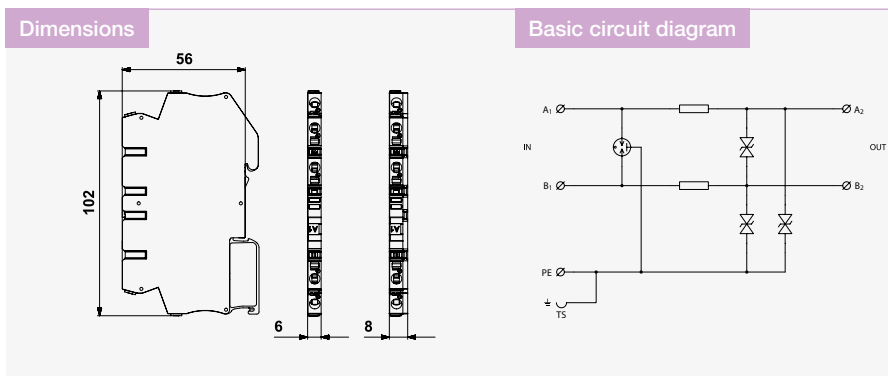
DM-.../1-RB

Combination of coarse and fine surge protection for telecommunication and signalling networks in terminal block coupling impedance (resistance), screwless terminals

- coarse and fine surge protection for 2-core signalling networks
- installation close to protected equipment
- for protection of communication interfaces, mainly the RS-485 lines,

of I&C, electronic security and fire detection systems, etc. against impact of surge voltage

- coarse and fine surge protection in differential mode (core – core) and common mode (core – PE)



Parameter / Type	DM-006/1-RB	DM-012/1-RB	DM-024/1-RB	DM-048/1-RB
Connection (input - output)	screwless terminals	screwless terminals	screwless terminals	screwless terminals
Location of SPD	ST 2+3	ST 2+3	ST 2+3	ST 2+3
Nominal voltage U_n	6 V DC	12 V DC	24 V DC	48 V DC
Maximum operating voltage U_c	6 V AC / 8,5 V DC	11 V AC / 16 V DC	25 V AC / 36 V DC	36 V AC / 51 V DC
Nominal load current I_L	0,5 A	0,5 A	0,5 A	0,5 A
C2 nominal discharge current (8/20 μ s) per core I_n	5 kA	5 kA	5 kA	5 kA
C2 total discharge current (8/20 μ s) cores-PE I_{Total}	10 kA	10 kA	10 kA	10 kA
D1 impulse discharge current (10/350 μ s) per core I_{imp}	0,5 kA	0,5 kA	0,5 kA	0,5 kA
C2 voltage protection level mode core-core at I_n U_p	18 V	28 V	50 V	80 V
C2 voltage protection level mode core-PE at I_n U_p	30 V	40 V	65 V	95 V
C3 voltage protection level mode core-core at 1 kV/ μ s U_p	12 V	20 V	45 V	65 V
C3 voltage protection level mode core-PE at 1 kV/ μ s U_p	15 V	20 V	45 V	65 V
Response time core-core t_a	1 ns	1 ns	1 ns	1 ns
Response time core-PE t_a	1 ns	1 ns	1 ns	1 ns
Serial resistance per core R	1,6 Ω	1,6 Ω	1,6 Ω	1,6 Ω
Threshold frequency core-core f	1 MHz	2 MHz	4 MHz	5 MHz
Cross-section of connected conductors solid (min/max)	0,08 mm ² / 4 mm ²	0,08 mm ² / 4 mm ²	0,08 mm ² / 4 mm ²	0,08 mm ² / 4 mm ²
Cross-section of connected conductors stranded (min/max)	0,08 mm ² / 2,5 mm ²	0,08 mm ² / 2,5 mm ²	0,08 mm ² / 2,5 mm ²	0,08 mm ² / 2,5 mm ²
Degree of protection	IP 20	IP 20	IP 20	IP 20
Range of operating temperatures (min/max)	-40 °C / 70 °C	-40 °C / 70 °C	-40 °C / 70 °C	-40 °C / 70 °C
Mounting	DIN rail 35 mm	DIN rail 35 mm	DIN rail 35 mm	DIN rail 35 mm
According to standard	EN 61643-21+A1,A2:2013, IEC 61643-21+A1,A2:2012 / C2,C3			
Ordering number	A06057	A06058	A06059	A06060

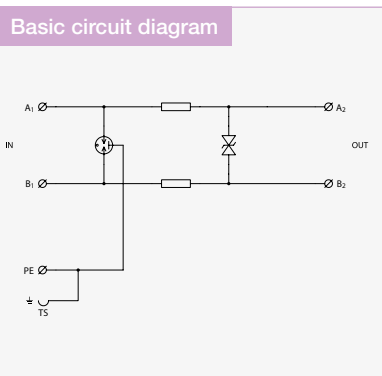
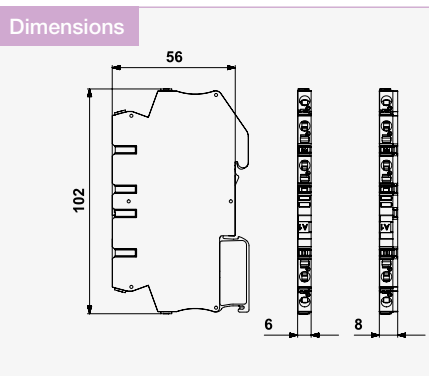
Data, signal and telecommunication networks

	Accessories:	Ordering number	See page
	Cross connectors for terminal blocks with screwless terminals (-RB)	by type	188

DMG-.../1-RB

Combination of coarse and fine surge protection for telecommunication and signalling networks in terminal block
coupling impedance (resistance), screwless terminals

- coarse and fine surge protection for 2-core signalling networks
- installation close to protected equipment
- for protection of communication interfaces and measuring lines of I&C, electronic security and fire detection systems, etc. against impact of surge voltage
- coarse and fine surge protection in differential mode (core – core) and coarse protection in common mode (core – PE)



Parameter / Type	DMG-006/1-RB	DMG-024/1-RB	DMG-048/1-RB
Connection (input - output)	screwless terminals	screwless terminals	screwless terminals
Location of SPD	ST 2+3	ST 2+3	ST 2+3
Nominal voltage U_n	6 V DC	24 V DC	48 V DC
Maximum operating voltage U_c	6 V AC / 8,5 V DC	25 V AC / 36 V DC	36 V AC / 51 V DC
Nominal load current I_L	0,5 A	0,5 A	0,5 A
C2 nominal discharge current (8/20 μ s) per core I_n	5 kA	5 kA	5 kA
C2 total discharge current (8/20 μ s) cores-PE I_{Total}	10 kA	10 kA	10 kA
D1 impulse discharge current (10/350 μ s) per core I_{imp}	0,5 kA	0,5 kA	0,5 kA
C2 voltage protection level mode core-core at In U_p	18 V	50 V	80 V
C2 voltage protection level mode core-PE at In U_p	350 V	350 V	350 V
C3 voltage protection level mode core-core at 1 kV/ μ s U_p	12 V	45 V	65 V
C3 voltage protection level mode core-PE at 1 kV/ μ s U_p	500 V	500 V	500 V
Response time core-core t_a	1 ns	1 ns	1 ns
Response time core-PE t_a	100 ns	100 ns	100 ns
Serial resistance per core R	1,6 Ω	1,6 Ω	1,6 Ω
Threshold frequency core-core f	1 MHz	4 MHz	5 MHz
Cross-section of connected conductors solid (min/max)	0,08 mm ² / 4 mm ²	0,08 mm ² / 4 mm ²	0,08 mm ² / 4 mm ²
Cross-section of connected conductors stranded (min/max)	0,08 mm ² / 2,5 mm ²	0,08 mm ² / 2,5 mm ²	0,08 mm ² / 2,5 mm ²
Degree of protection	IP 20	IP 20	IP 20
Range of operating temperatures (min/max)	-40 °C / 70 °C	-40 °C / 70 °C	-40 °C / 70 °C
Mounting	DIN rail 35 mm	DIN rail 35 mm	DIN rail 35 mm
According to standard	EN 61643-21+A1,A2:2013, IEC 61643-21+A1,A2:2012 / C2,C3		
Ordering number	A06061	A06062	A06063

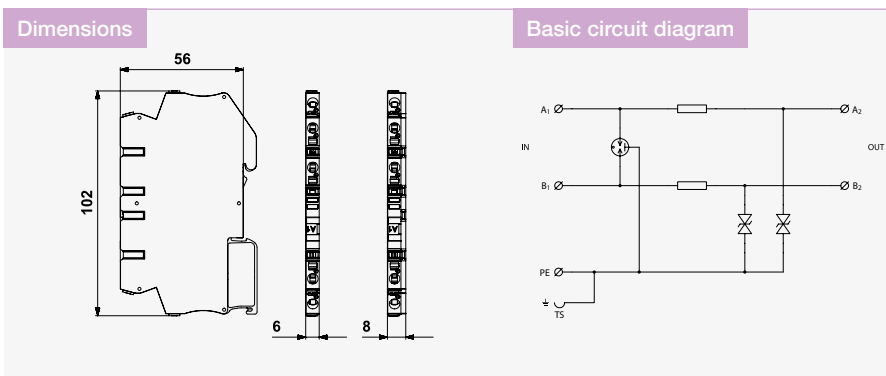
Accessories:	Ordering number	See page
Cross connectors for terminal blocks with screwless terminals (-RB)	by type	188

DMJ-.../2-RB

Combination of coarse and fine surge protection for telecommunication and signalling networks in terminal block coupling impedance (resistance), screwless terminals

- coarse and fine surge protection for two 1-core signalling networks
- installation close to protected equipment
- for protection of communication interfaces and control circuits of I&C,

- electronic security and fire detection systems, etc. against impact of surge voltage
- coarse and fine surge protection in common mode (core – PE)



Parameter / Type	DMJ-012/2-RB	DMJ-024/2-RB	DMJ-048/2-RB
Connection (input - output)	screwless terminals	screwless terminals	screwless terminals
Location of SPD	ST 2+3	ST 2+3	ST 2+3
Nominal voltage U_n	12 V DC	24 V DC	48 V DC
Maximum operating voltage U_c	11 V AC / 16 V DC	25 V AC / 36 V DC	36 V AC / 51 V DC
Nominal load current I_L	0,5 A	0,5 A	0,5 A
C2 nominal discharge current (8/20 μ s) per core I_n	5 kA	5 kA	5 kA
C2 total discharge current (8/20 μ s) cores-PE I_{Total}	10 kA	10 kA	10 kA
D1 impulse discharge current (10/350 μ s) per core I_{imp}	0,5 kA	0,5 kA	0,5 kA
C2 voltage protection level mode core-PE at I_n U_p	40 V	65 V	95 V
C3 voltage protection level mode core-PE at 1 kV/ μ s U_p	20 V	45 V	65 V
Response time core-PE t_a	1 ns	1 ns	1 ns
Serial resistance per core R	1,6 Ω	1,6 Ω	1,6 Ω
Threshold frequency core-core f	2 MHz	4 MHz	5 MHz
Cross-section of connected conductors solid (min/max)	0,08 mm ² / 4 mm ²	0,08 mm ² / 4 mm ²	0,08 mm ² / 4 mm ²
Cross-section of connected conductors stranded (min/max)	0,08 mm ² / 2,5 mm ²	0,08 mm ² / 2,5 mm ²	0,08 mm ² / 2,5 mm ²
Degree of protection	IP 20	IP 20	IP 20
Range of operating temperatures (min/max)	-40 °C / 70 °C	-40 °C / 70 °C	-40 °C / 70 °C
Mounting	DIN rail 35 mm	DIN rail 35 mm	DIN rail 35 mm
According to standard	EN 61643-21+A1,A2:2013, IEC 61643-21+A1,A2:2012 / C2,C3		
Ordering number	A06065	A06066	A06067

Data, signal and telecommunication networks

	Accessories:	Ordering number	See page
	Cross connectors for terminal blocks with screwless terminals (-RB)	by type	188

DMHF-.../1-RB

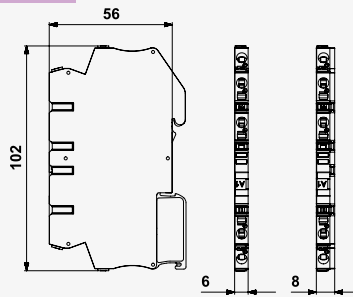
Combination of coarse and fine surge protection for industrial bus-bar system (for example PROFIBUS)

coupling impedance (resistance), screwless terminals

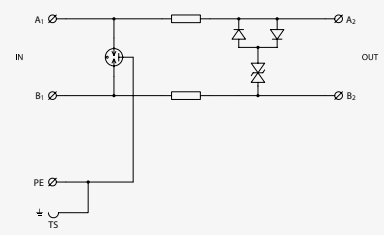
- coarse and fine surge protection of 2-core high-speed signalling lines
- installation close to protected equipment
- for protection of communication interfaces, mainly the RS-485 lines, of I&C, electronic security and fire detection systems, etc. against impact of surge voltage
- coarse and fine surge protection in differential mode (core – core) and coarse surge protection in common mode (core – PE)



Dimensions



Basic circuit diagram



Parameter / Type	DMHF-006/1-RB	DMHF-015/1-RB
Connection (input - output)	screwless terminals	screwless terminals
Location of SPD	ST 2+3	ST 2+3
Nominal voltage U_n	6 V DC	15 V DC
Maximum operating voltage U_c	6 V AC / 8,5 V DC	6 V AC / 8,5 V DC
Nominal load current I_L	0,5 A	0,5 A
C2 nominal discharge current (8/20 μ s) per core I_n	5 kA	5 kA
C2 total discharge current (8/20 μ s) cores-PE I_{Total}	10 kA	10 kA
D1 impulse discharge current (10/350 μ s) per core I_{imp}	0,5 kA	0,5 kA
C2 voltage protection level mode core-core at I_n U_p	26 V	36 V
C2 voltage protection level mode core-PE at I_n U_p	350 V	350 V
C3 voltage protection level mode core-core at 1 kV/ μ s U_p	14 V	28 V
C3 voltage protection level mode core-PE at 1 kV/ μ s U_p	500 V	500 V
Response time core-core t_a	1 ns	1 ns
Response time core-PE t_a	100 ns	100 ns
Serial resistance per core R	1,6 Ω	1,6 Ω
Threshold frequency core-core f	70 MHz	70 MHz
Cross-section of connected conductors solid (min/max)	0,08 mm ² / 4 mm ²	0,08 mm ² / 4 mm ²
Cross-section of connected conductors stranded (min/max)	0,08 mm ² / 2,5 mm ²	0,08 mm ² / 2,5 mm ²
Degree of protection	IP 20	IP 20
Range of operating temperatures (min/max)	-40 °C / 70 °C	-40 °C / 70 °C
Mounting	DIN rail 35 mm	DIN rail 35 mm
According to standard	EN 61643-21+A1,A2:2013, IEC 61643-21+A1,A2:2012 / C2,C3	
Ordering number	A06064	A06290



Accessories:

Cross connectors for terminal blocks with screwless terminals (-RB)

Ordering number

by type

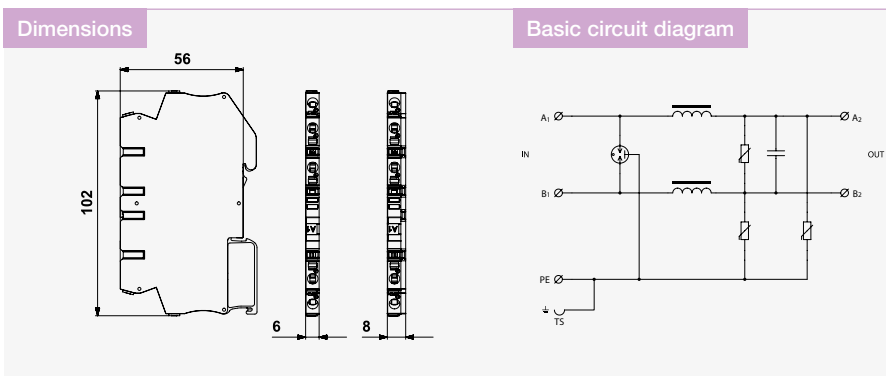
See page

188

DMLF-024/1-RB

Combination of coarse and fine surge protection for telecommunication and signalling networks in terminal block coupling impedance (inductance), screwless terminals

- coarse and fine surge protection for low-frequency 2-core signalling networks
- installation close to protected equipment
- for protection of analogue measuring lines in the areas with RF disturbance
- coarse and fine surge protection in differential mode (core – core) and common mode (core – PE)



Parameter / Type	DMLF-024/1-RB	
Connection (input - output)	screwless terminals	
Location of SPD	ST 2	
Nominal voltage	U_n	24 V DC
Maximum operating voltage	U_c	31 V DC
Nominal load current	I_L	0,1 A
C2 nominal discharge current (8/20 μ s) per core	I_n	5 kA
C2 total discharge current (8/20 μ s) cores-PE	I_{Total}	10 kA
D1 impulse discharge current (10/350 μ s) per core	I_{imp}	0,5 kA
C2 voltage protection level mode core-core at I_n	U_p	65 V
C2 voltage protection level mode core-PE at I_n	U_p	80 V
C3 voltage protection level mode core-core at 1 kV/ μ s	U_p	55 V
C3 voltage protection level mode core-PE at 1 kV/ μ s	U_p	55 V
Response time core-core	t_a	25 ns
Response time core-PE	t_a	25 ns
Threshold frequency core-core	f	0,07 MHz
Cross-section of connected conductors solid (min/max)	0,08 mm ² / 4 mm ²	
Cross-section of connected conductors stranded (min/max)	0,08 mm ² / 2,5 mm ²	
Degree of protection	IP 20	
Range of operating temperatures (min/max)	-40 °C / 70 °C	
Mounting	DIN rail 35 mm	
According to standard	EN 61643-21+A1,A2:2013, IEC 61643-21+A1,A2:2012 / C2,C3	
Ordering number	A06069	

Data, signal and telecommunication networks

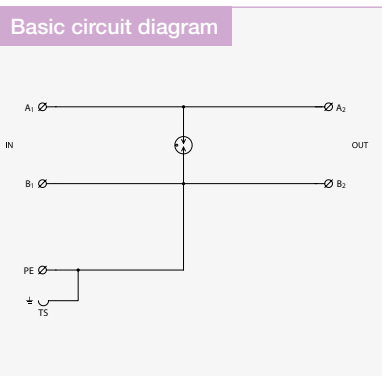
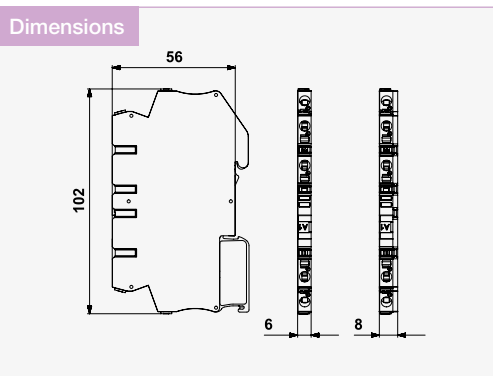
	Accessories:	Ordering number	See page
	Cross connectors for terminal blocks with screwless terminals (-RB)	by type	188

DS-B090-RB

Single stage surge arrester in terminal block

B – Gas Discharge Tube, screwless terminal

- coarse single stage surge arrester
- for protection of signalling, data and other lines against impact of surge voltage
- usable mainly for the separation of shielding from the protective earth



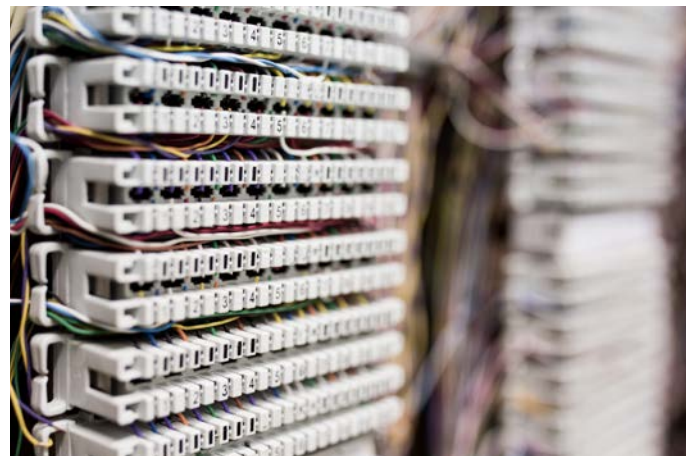
Parameter / Type	DS-B090-RB	
Connection (input - output)	screwless terminals	
Location of SPD	ST 2	
Maximum operating voltage	U_c	50 V AC / 70 V DC
Nominal load current	I_L	10 A
C2 nominal discharge current (8/20 μ s) per core	I_n	10 kA
D1 impulse discharge current (10/350 μ s) per core	I_{imp}	0,5 kA
C3 voltage protection level mode core-PE at 1 kV/ μ s	U_p	550 V
Response time core-PE	t_a	100 ns
Cross-section of connected conductors solid (min/max)	0,08 mm ² / 4 mm ²	
Cross-section of connected conductors stranded (min/max)	0,08 mm ² / 2,5 mm ²	
Range of operating temperatures (min/max)	-40 °C / 70 °C	
Mounting	DIN rail 35 mm	
According to standard	EN 61643-21+A1,A2:2013, IEC 61643-21+A1,A2:2012 / C2,C3	
Ordering number	A06070	

Data, signal and telecommunication networks

	Accessories:	Ordering number	See page
	Cross connectors for terminal blocks with screwless terminals (-RB)	by type	188

SPDs for data/signalling/telecommunication network

SPDs for LSA-PLUS strips

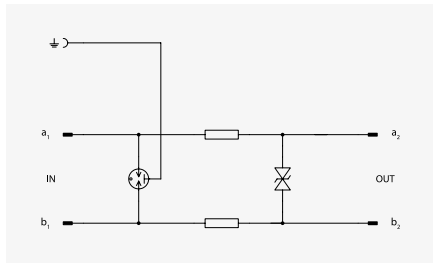


- Coarse and fine surge protection
- Easy connections to separating LSA-PLUS strips
- For 2-core signal lines in I&C, electronic security, fire detection and telecommunication systems
- Line CLSA - surge arresters

Overview of SPDs for data/signalling/telecommunication networks

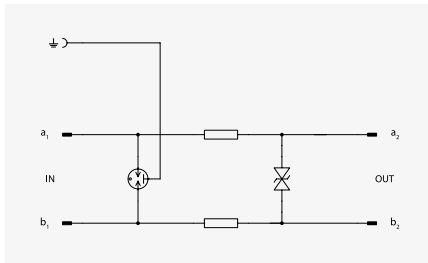
For LSA-PLUS strips

CLSA-6, 12, 24, 48



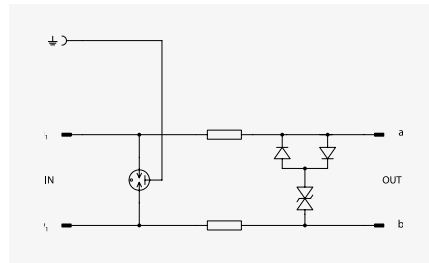
2-core floating line.
See page: 153

CLSA-ISDN, CLSA-TLF



2-core floating phone line.
See page: 154

CLSA-HF6, CLSA-DSL



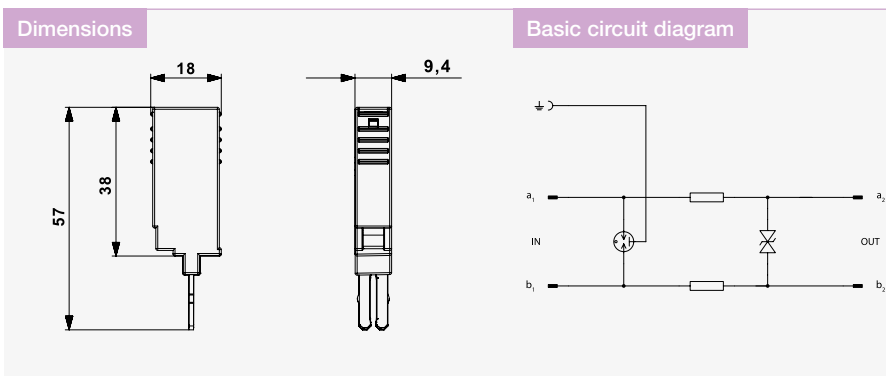
2-core high-speed floating line.
See page: 155

CLSA-...

Surge Arrester for telecommunication and signalling networks for LSA-PLUS strips for LSA-PLUS separating strips

- combination of coarse and fine protection of data and I&C lines
- installation close to protected equipment
- for protection of communication interfaces and measuring lines of I&C, electronic security and fire detection

- systems, etc. against impact of surge voltage
- coarse and fine surge protection in differential mode (core – core) and coarse protection in common mode (core – PE)



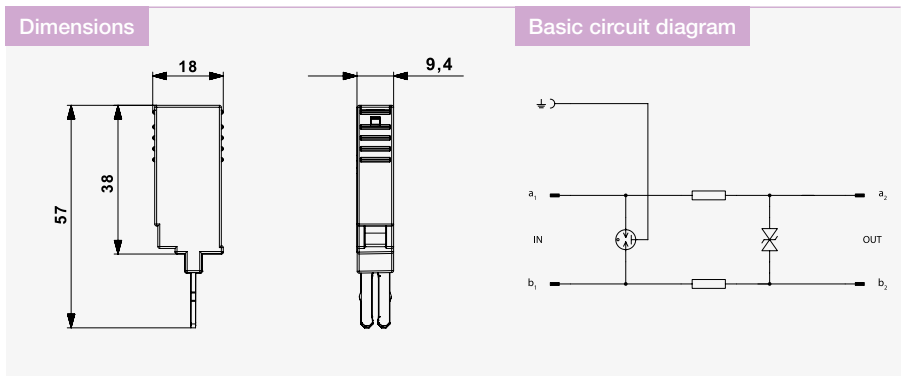
Parameter / Type	CLSA-6	CLSA-12	CLSA-24	CLSA-48
Connection (input - output)	LSA disconnection rail	LSA disconnection rail	LSA disconnection rail	LSA disconnection rail
Accessories	grounding rail	grounding rail	grounding rail	grounding rail
Location of SPD	ST 2+3	ST 2+3	ST 2+3	ST 2+3
Maximum operating voltage	U_c 6 V AC / 8,5 V DC	11 V AC / 16 V DC	25 V AC / 36 V DC	36 V AC / 51 V DC
Nominal load current	I_L 0,5 A	0,5 A	0,5 A	0,5 A
C2 nominal discharge current (8/20 μ s) per core	I_n 5 kA	5 kA	5 kA	5 kA
C2 total discharge current (8/20 μ s) cores-PE	I_{Total} 10 kA	10 kA	10 kA	10 kA
C2 voltage protection level mode core-PE at I_n	U_p 400 V	400 V	400 V	400 V
C3 voltage protection level mode core-core at 1 kV/ μ s	U_p 13 V	21 V	48 V	65 V
C3 voltage protection level mode core-PE at 1 kV/ μ s	U_p 350 V	350 V	350 V	350 V
Response time core-core	t_a 1 ns	1 ns	1 ns	1 ns
Response time core-PE	t_a 100 ns	100 ns	100 ns	100 ns
Serial resistance per core	R 1,6 Ω	1,6 Ω	1,6 Ω	1,6 Ω
Threshold frequency core-core	f 1,5 MHz	2,5 MHz	4 MHz	6,5 MHz
Degree of protection	IP 20	IP 20	IP 20	IP 20
Range of operating temperatures (min/max)	-40 $^{\circ}$ C / 70 $^{\circ}$ C	-40 $^{\circ}$ C / 70 $^{\circ}$ C	-40 $^{\circ}$ C / 70 $^{\circ}$ C	-40 $^{\circ}$ C / 70 $^{\circ}$ C
Mounting	LSA disconnection rail	LSA disconnection rail	LSA disconnection rail	LSA disconnection rail
According to standard	EN 61643-21+A1,A2:2013, IEC 61643-21+A1,A2:2012 / C2,C3			
Ordering number	A05169	A05170	A05171	A05172

Accessories	Ordering number	See page
Comb earthing rail	B95712	189
Universal disconnection rail LSA 2/10	B95710	189
Mounting frame – 1 position	B95711	189

CLSA-...

Surge Arrester for telecommunication and signalling networks for LSA-PLUS strips for LSA-PLUS separating strips

- combination of coarse and fine protection of 2-core telecommunication lines
- installation close to protected equipment
- for protection of telecommunication lines against impact of surge voltage
- coarse and fine surge protection in differential mode (core – core) and coarse protection in common mode (core – PE)



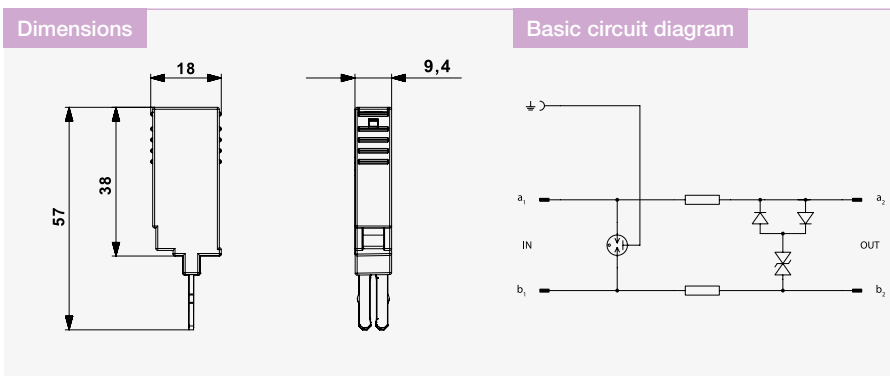
Parameter / Type		CLSA-ISDN	CLSA-TLF
Connection (input - output)		LSA disconnection rail	LSA disconnection rail
Accessories		grounding rail	grounding rail
Location of SPD		ST 2+3	ST 2+3
Maximum operating voltage	U_c	85 V AC / 120 V DC	120 V AC / 170 V DC
Nominal load current	I_L	0,5 A	0,5 A
C2 nominal discharge current (8/20 μ s) per core	I_n	5 kA	5 kA
C2 total discharge current (8/20 μ s) cores-PE	I_{Total}	10 kA	10 kA
C2 voltage protection level mode core-core at In	U_p	220 V	310 V
C2 voltage protection level mode core-PE at In	U_p	400 V	400 V
C3 voltage protection level mode core-core at 1 kV/ μ s	U_p	170 V	230 V
C3 voltage protection level mode core-PE at 1 kV/ μ s	U_p	350 V	350 V
Response time core-core	t_a	1 ns	1 ns
Response time core-PE	t_a	100 ns	100 ns
Serial resistance per core	R	1,6 Ω	1,6 Ω
Treshold frequency core-core	f	16 MHz	14 MHz
Degree of protection		IP 20	IP 20
Range of operating temperatures (min/max)		-40 °C / 70 °C	-40 °C / 70 °C
Mounting		LSA disconnection rail	LSA disconnection rail
According to standard		EN 61643-21+A1,A2:2013, IEC 61643-21+A1,A2:2012 / C2,C3	
Ordering number		A05174	A05173

Accessories	Ordering number	See page
Comb earthing rail	B95712	189
Universal disconnection rail LSA 2/10	B95710	189
Mounting frame – 1 position	B95711	189

CLSA-...

Surge Arrester for telecommunication and signalling networks for LSA-PLUS strips for LSA-PLUS separating strips

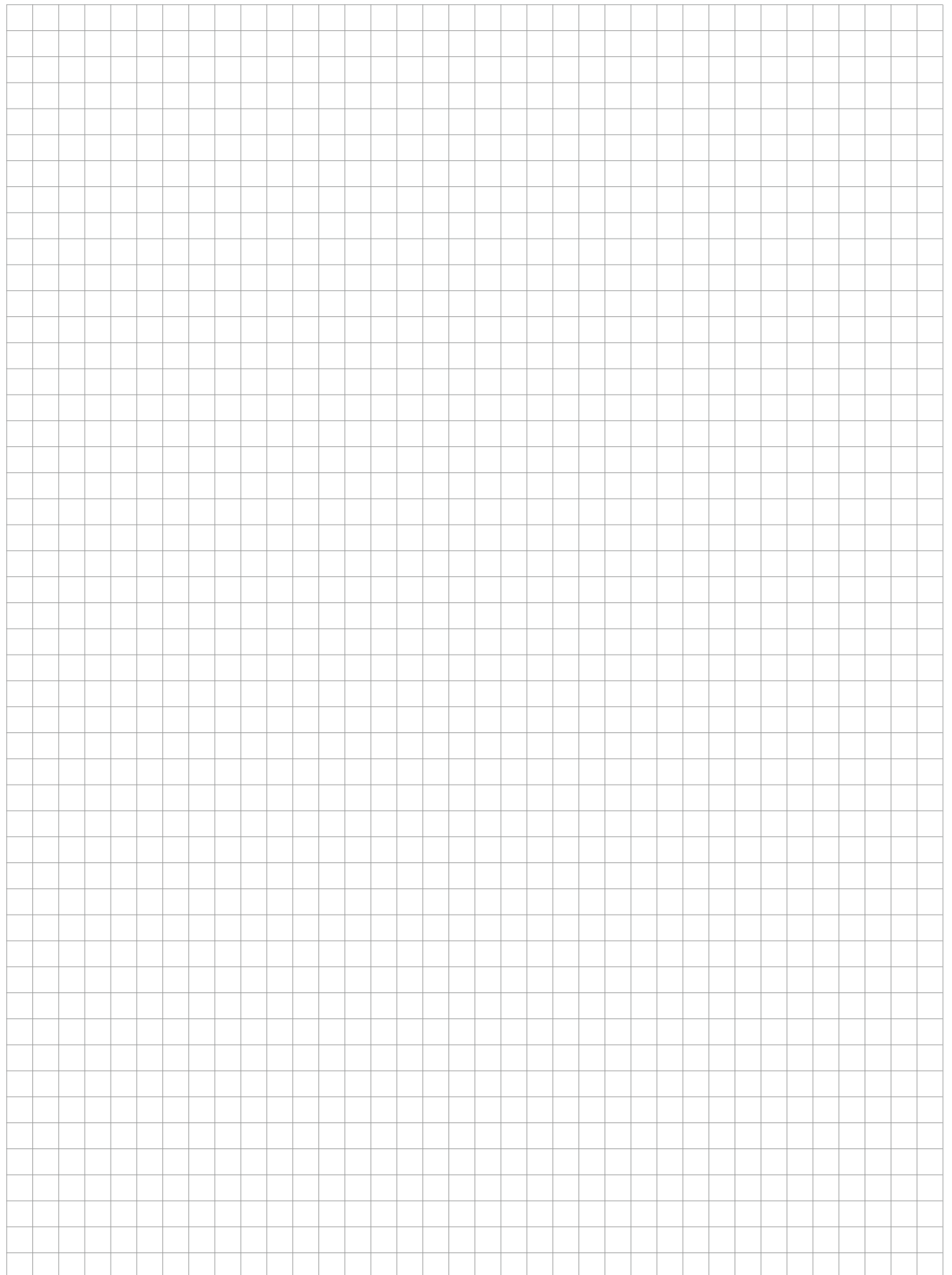
- combination of coarse and fine protection of 2-core high-speed telecommunication lines including ADSL
- installation close to protected equipment
- CLSA-DSL for protection of telecommunication lines against impact of surge voltage
- CLSA-HF6 for protection of communication interfaces and measuring lines of I&C, electronic security and fire detection systems, etc. against impact of surge voltage
- coarse and fine surge protection in differential mode (core – core) and coarse protection in common mode (core – PE)



Parameter / Type	CLSA-HF6	CLSA-DSL
Connection (input - output)	LSA disconnection rail	LSA disconnection rail
Accessories	grounding rail	grounding rail
Location of SPD	ST 2+3	ST 2+3
Maximum operating voltage	U_c 6 V AC / 8,5 V DC	120 V AC / 170 V DC
Nominal load current	I_L 0,5 A	0,5 A
C2 nominal discharge current (8/20 μ s) per core	I_n 5 kA	5 kA
C2 total discharge current (8/20 μ s) cores-PE	I_{Total} 10 kA	10 kA
C2 voltage protection level mode core-core at In	U_p 32 V	280 V
C2 voltage protection level mode core-PE at In	U_p 350 V	350 V
C3 voltage protection level mode core-core at 1 kV/ μ s	U_p 15 V	230 V
C3 voltage protection level mode core-PE at 1 kV/ μ s	U_p 350 V	400 V
Response time core-core	t_a 1 ns	1 ns
Response time core-PE	t_a 100 ns	100 ns
Serial resistance per core	R 1,6 Ω	1,6 Ω
Treshold frequency core-core	f 55 MHz	65 MHz
Degree of protection	IP 20	IP 20
Range of operating temperatures (min/max)	-40 °C / 70 °C	-40 °C / 70 °C
Mounting	LSA disconnection rail	LSA disconnection rail
According to standard	EN 61643-21+A1,A2:2013, IEC 61643-21+A1,A2:2012 / C2,C3	
Ordering number	A05175	A05176

Accessories	Ordering number	See page
Comb earthing rail	B95712	189
Universal disconnection rail LSA 2/10	B95710	189
Mounting frame – 1 position	B95711	189

Notes



SPDs for data/signalling/telecommunication network

SPDs for phone lines



- Coarse and fine protection SPDs
- For protection of one-pair of telecommunication lines
- Versions with connectors or terminals

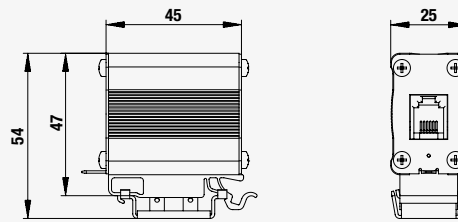
- Line DL-TLF-HF - surge arrester
- Line DL-ISDN - surge arresters

Surge Arrester for phone line RJ11 sockets

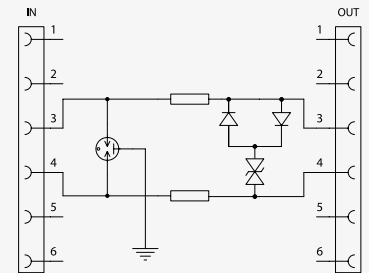
- combination of coarse and fine protection
- for protection of one pair of high-speed analogue line in telecommunication equipment (e.g. VDSL2)
- in the scope of delivery: universal plastic adapter for mounting on DIN rail and GND 2 holder



Dimensions



Basic circuit diagram



Parameter / Type		DL-TLF-HF
Location of SPD		ST 2+3
Maximum operating voltage	U_c	114 V AC / 162 V DC
Nominal load current	I_L	0,06 A
C2 nominal discharge current (8/20 μ s) per core	I_n	2,5 kA
C2 voltage protection level mode core-core at I_n	U_p	260 V
C2 voltage protection level mode core-PE at I_n	U_p	300 V
C3 voltage protection level mode core-core at 1 kV/ μ s	U_p	240 V
C3 voltage protection level mode core-PE at 1 kV/ μ s	U_p	400 V
Response time core-core	t_a	1 ns
Response time core-PE	t_a	100 ns
Serial resistance per core	R	6,8 Ω
Threshold frequency core-core	f	40 MHz
Connection (input - output)		RJ11/RJ11
Degree of protection		IP 20
Range of operating temperatures (min/max)		-40 °C / 80 °C
Mounting		DIN rail 35 mm
According to standard		EN 61643-21+A1,A2:2013, IEC 61643-21+A1,A2:2012 / C2, C3
Ordering number		A06150

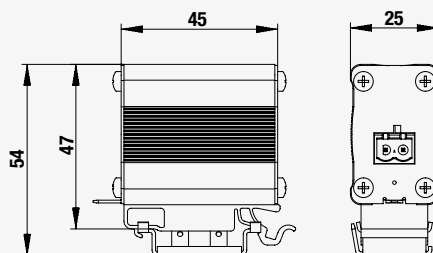
DL-ISDN SV

Surge Arrester for phone line
screw terminals

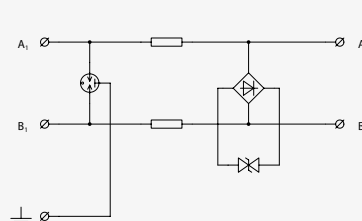
- combination of coarse and fine protection for ISDN lines
- installation in front of NT
- for protection of one pair of ISDN line in telecommunication equipment
- in the scope of delivery: universal plastic adapter for mounting on DIN rail and GND 2 holder



Dimensions



Basic circuit diagram



Parameter / Type	DL-ISDN SV	
Location of SPD	ST 2+3	
Maximum operating voltage	U_c	85 V AC / 120 V DC
Nominal load current	I_L	0,06 A
C2 nominal discharge current (8/20 μ s) per core	I_n	10 kA
C2 voltage protection level mode core-core at I_n	U_p	260 V
C2 voltage protection level mode core-PE at I_n	U_p	150 V
C3 voltage protection level mode core-core at 1 kV/ μ s	U_p	180 V
C3 voltage protection level mode core-PE at 1 kV/ μ s	U_p	500 V
Response time core-core	t_a	1 ns
Response time core-PE	t_a	1 ns
Serial resistance per core	R	6,8 Ω
Threshold frequency core-core	f	50 MHz
Cross-section of connected conductors stranded (max)	2,5 mm ²	
Connection (input - output)	terminals	
Degree of protection	IP 20	
Range of operating temperatures (min/max)	-40 °C / 80 °C	
Mounting	DIN rail 35 mm	
According to standard	EN 61643-21+A1,A2:2013, IEC 61643-21+A1,A2:2012 / C2,C3	
Ordering number	A03381	

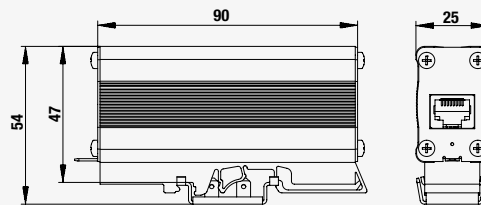
DL-ISDN RJ45

Surge Arrester for phone line
RJ45 sockets

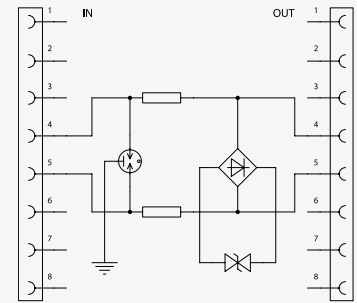
- combination of coarse and fine protection for ISDN lines
- for protection of one pair of ISDN line in telecommunication equipment
- in the scope of delivery: universal plastic adapter for mounting on DIN rail and GND 2 holder



Dimensions



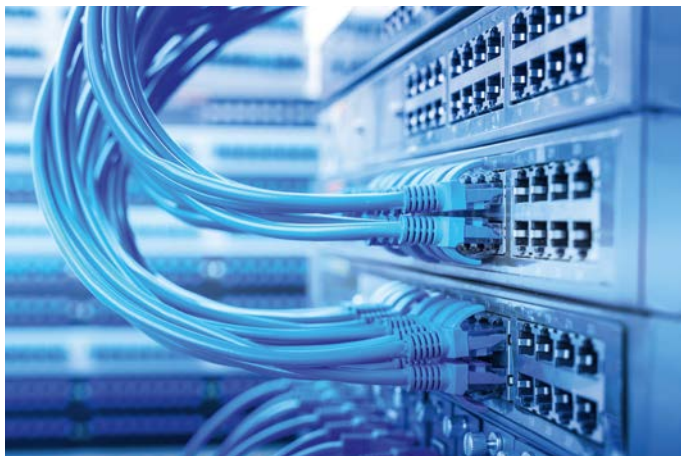
Basic circuit diagram



Parameter / Type	DL-ISDN RJ45	
Location of SPD	ST 2+3	
Maximum operating voltage	U_c	86 V AC / 121 V DC
Nominal load current	I_L	0,06 A
C2 nominal discharge current (8/20 μ s) per core	I_n	2,5 kA
C2 voltage protection level mode core-core at I_n	U_p	270 V
C2 voltage protection level mode core-PE at I_n	U_p	300 V
C3 voltage protection level mode core-core at 1 kV/ μ s	U_p	180 V
C3 voltage protection level mode core-PE at 1 kV/ μ s	U_p	400 V
Response time core-core	t_a	1 ns
Response time core-PE	t_a	100 ns
Serial resistance per core	R	6,8 Ω
Threshold frequency core-core	f	80 MHz
Connection (input - output)	RJ 45/RJ 45	
Degree of protection	IP 20	
Range of operating temperatures (min/max)	-40 °C / 80 °C	
Mounting	DIN rail 35 mm	
According to standard	EN 61643-21+A1,A2:2013, IEC 61643-21+A1,A2:2012 / C2,C3	
Ordering number	A03382	

SPDs for data/signalling/telecommunication networks

SPDs for Ethernet and other data lines



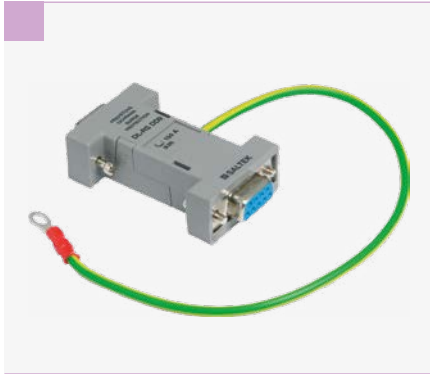
- SPDs for protection of Ethernet up to 10G standard
- Variants for lines combined with Power over Ethernet (PoE)
- Line DL-RS DD9 – surge arresters for RS interface

- Line DL-Cat.5e, DL-Cat.6 and DL-Cat.6A – surge arresters
- Line DL-1G a DL-10G – surge arresters

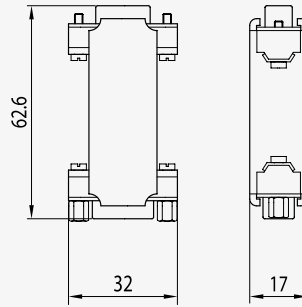
DL-RS DD9

Surge Arrester for RS interface (with connector DSUB)
 DSUB 9 connectors

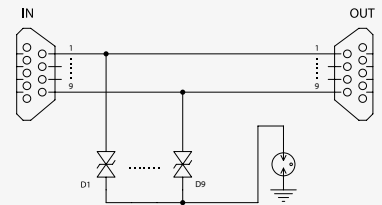
- fine protection
- for protection of serial ports of computers and control systems of I&C, electronic security and fire detection systems, etc. against impact of surge voltage



Dimensions



Basic circuit diagram



Parameter / Type	DL-RS DD9	
Location of SPD	ST 3	
Maximum operating voltage	U_c	12,7 V AC / 18 V DC
C1 nominal discharge current (8/20 μ s) per core	I_n	150 A
C1 voltage protection level mode core-core at I_n	U_p	65 V
C3 voltage protection level mode core-core at 1 kV/ μ s	U_p	50 V
C3 voltage protection level mode core-PE at 1 kV/ μ s	U_p	980 V
Response time core-core	t_a	1 ns
Response time core-PE	t_a	100 ns
Threshold frequency core-core	f	55 MHz
Connection (input - output)	female DSUB 9 - male DSUB 9	
Degree of protection	IP 20	
Range of operating temperatures (min/max)	-40 °C / 80 °C	
According to standard	EN 61643-21+A1,A2:2013, IEC 61643-21+A1,A2:2012 / C1,C3	
Ordering number	A00968	

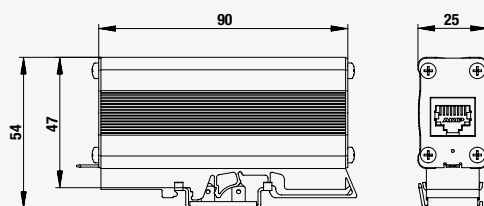
DL-Cat.5e

Surge Arrester for Ethernet RJ45 sockets

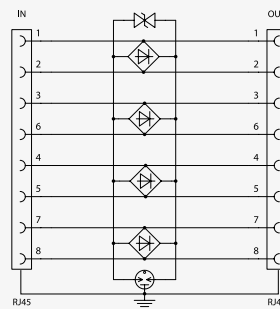
- fine surge protection of Ethernet line
- installation close to protected equipment
- for protection of Ethernet line Cat. 5e against surge voltage
- in the scope of delivery: universal plastic adapter for mounting on DIN rail and GND 2 holder



Dimensions



Basic circuit diagram



Parameter / Type	DL-Cat.5e	
Location of SPD		ST 3
Maximum operating voltage	U_c	6 V AC / 8,5 V DC
Nominal load current	I_L	0,5 A
C2 nominal discharge current (8/20 μ s) per core	I_n	0,2 kA
C2 total discharge current (8/20 μ s) cores-PE	I_{Total}	1,6 kA
C2 voltage protection level mode core-core at In	U_p	55 V
C2 voltage protection level mode core-PE at In	U_p	400 V
C3 voltage protection level mode core-core at 1 kV/ μ s	U_p	30 V
C3 voltage protection level mode core-PE at 1 kV/ μ s	U_p	600 V
Response time core-core	t_a	1 ns
Response time core-PE	t_a	100 ns
Insertion attenuation at 100 MHz		0,9 dB
Connection (input - output)		RJ45/RJ45
Degree of protection		IP 20
Range of operating temperatures (min/max)		-40 °C / 80 °C
According to standard		EN 61643-21+A1,A2:2013, IEC 61643-21+A1,A2:2012 / C2,C3
Ordering number		A03375

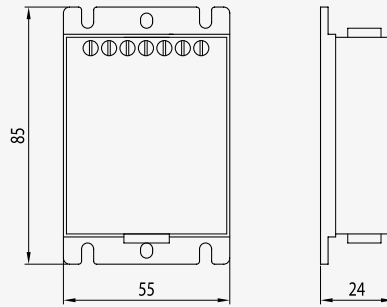
DL-100 POE-048

Surge Arrester for Power over Ethernet Cat. 5e
terminals / RJ45 socket

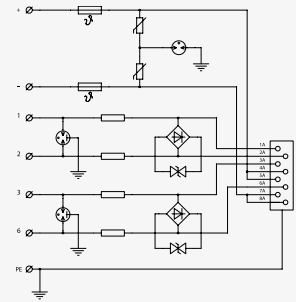
- combination of coarse and fine protection of Ethernet line with PoE
- installation close to protected equipment
- for protection of WiFi equipment, IP cameras, etc., installed even outside building, against surge voltage



Dimensions



Basic circuit diagram



Parameter / Type	DL-100 POE-048	
Location of SPD	ST 2+3	
Maximum operating voltage	U_c	5,7 V AC / 8,1 V DC
Nominal load current	I_L	0,1 A
C2 nominal discharge current (8/20 μ s) per core	I_n	5 kA
C2 voltage protection level mode core-core at I_n	U_p	300 V
C2 voltage protection level mode core-PE at I_n	U_p	340 V
C3 voltage protection level mode core-core at 1 kV/ μ s	U_p	55 V
C3 voltage protection level mode core-PE at 1 kV/ μ s	U_p	530 V
Response time core-core	t_a	1 ns
Response time core-PE	t_a	100 ns
Insertion attenuation at 100 MHz		1,5 dB
Serial resistance per core	R	1 Ω
Nominal voltage	U_n	48 V DC
Maximum operating voltage	U_c	60 V AC / 76 V DC
Nominal load current	I_L	1 A
C2 nominal discharge current (8/20 μ s) core-core	I_n	1 kA
C2 voltage protection level mode (POE) at I_n		280 V
C2 voltage protection level mode core-PE at I_n	U_p	690 V
Response time core-core	t_a	25 ns
Response time core-PE	t_a	100 ns
Cross-section of connected conductors solid (max)		4 mm ²
Cross-section of connected conductors stranded (max)		2,5 mm ²
Connection (input - output)		terminals/RJ 45
Degree of protection		IP 20
Range of operating temperatures (min/max)		-40 °C / 80 °C
Mounting		surface on the desk
According to standard		EN 61643-21+A1,A2:2013, IEC 61643-21+A1,A2:2012 / C2,C3
Ordering number		A03135

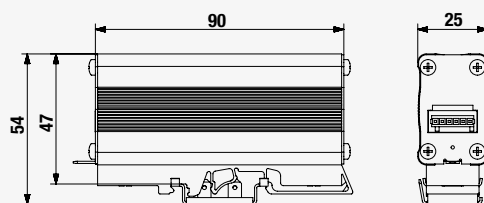
DL-Cat.5e POE plus

Surge Arrester for Power over Ethernet Cat. 5e
screwless terminals / RJ45 socket

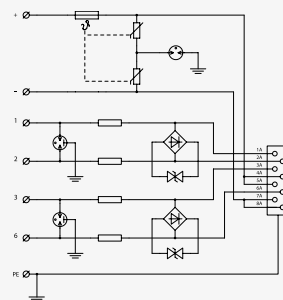
- combination of coarse and fine protection of Ethernet line with PoE
- installation at the entry of the line into building and close to protected equipment, at the boundary of LPZ 0 and LPZ 1 or higher
- for protection of WiFi equipment, IP cameras, etc., installed even outside building, against surge voltage
- in the scope of delivery: universal plastic adapter for mounting on DIN rail and GND 2 holder



Dimensions



Basic circuit diagram



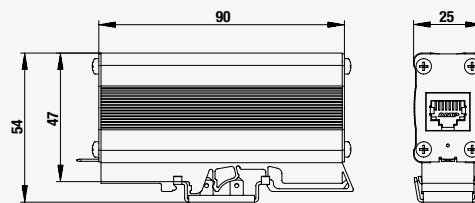
Parameter / Type		DL-Cat.5e POE plus
Location of SPD		ST 2+3
Maximum operating voltage U_c		6 V AC / 8,5 V DC
Nominal load current I_L		0,1 A
C2 nominal discharge current (8/20 μ s) per core I_n		1,5 kA
line part	C2 voltage protection level mode core-core at I_n U_p	180 V
	C2 voltage protection level mode core-PE at I_n U_p	490 V
	C3 voltage protection level mode core-core at 1 kV/ μ s U_p	60 V
	C3 voltage protection level mode core-PE at 1 kV/ μ s U_p	560 V
	Response time core-core t_a	1 ns
	Response time core-PE t_a	100 ns
	Insertion attenuation at 100 MHz	1,5 dB
	Serial resistance per core R	0,27 Ω
Nominal voltage U_n		48 V DC
Maximum operating voltage U_c		40 V AC / 76 V DC
Nominal load current I_L		1 A
Maximum load current		48,9 W
C2 nominal discharge current (8/20 μ s) core-core I_n		1 kA
power part	C2 voltage protection level mode (POE) at I_n	280 V
	C2 voltage protection level mode core-PE at I_n U_p	780 V
	Response time core-core t_a	25 ns
	Response time core-PE t_a	100 ns
	Connection (input - output)	screwless terminals/RJ 45
	Degree of protection	IP 20
	Range of operating temperatures (min/max)	-40 °C / 80 °C
Mounting	DIN rail 35 mm	
According to standard	EN 61643-21+A1,A2:2013, IEC 61643-21+A1,A2:2012 / C2,C3	
Ordering number	A03806	

Surge Arrester for Ethernet RJ45 sockets

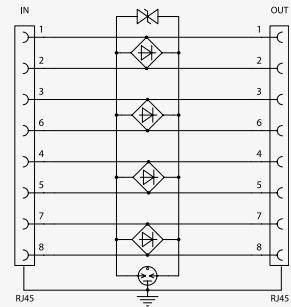
- fine surge protection of Ethernet line
- installation close to protected equipment
- for protection of Ethernet line Cat. 6 or Cat. 6A against surge voltage
- in the scope of delivery: universal plastic adapter for mounting on DIN rail and GND 2 holder



Dimensions



Basic circuit diagram



Parameter / Type		DL-Cat.6	DL-Cat.6A
Location of SPD		ST 3	ST 3
Maximum operating voltage	U_c	8,5 V DC / 6 V AC	8,5 V DC / 6 V AC
Nominal load current	I_L	0,5 A	0,5 A
C2 nominal discharge current (8/20 μ s) per core	I_n	0,2 kA	0,2 kA
C2 total discharge current (8/20 μ s) cores-PE	I_{Total}	1,6 kA	1,6 kA
C2 voltage protection level mode core-core at In	U_p	55 V	55 V
C2 voltage protection level mode core-PE at In	U_p	400 V	400 V
C3 voltage protection level mode core-core at 1 kV/ μ s	U_p	30 V	30 V
C3 voltage protection level mode core-PE at 1 kV/ μ s	U_p	600 V	600 V
Response time core-core	t_a	1 ns	1 ns
Response time core-PE	t_a	100 ns	100 ns
Insertion attenuation at 250 MHz		1,9 dB	-
Insertion attenuation at 500 MHz		-	2,9 dB
Connection (input - output)		RJ 45/RJ 45	RJ 45/RJ 45
Degree of protection		IP 20	IP 20
Range of operating temperatures (min/max)		-40 °C / 60 °C	-40 °C / 80 °C
According to standard		EN 61643-21+A1,A2:2013, IEC 61643-21+A1,A2:2012 / C2,C3	
Ordering number		A03603	A06574

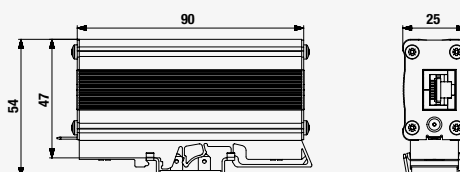
DL-...-RJ45-PoE-AB

Surge Arrester for Power over Ethernet RJ45 sockets

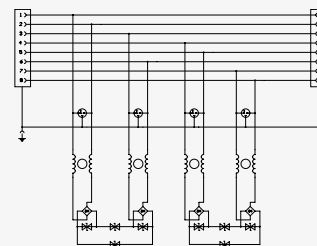
- combination of coarse and fine protection of Ethernet line with PoE
- installation at the entry of the line into building and close to protected equipment, at the boundary of LPZ 0 and LPZ 1 or higher
- for protection of Ethernet line Cat. 6 or Cat. 6A with PoE (Power over ethernet) Mode A, B against surge voltage
- in the scope of delivery: universal plastic adapter for mounting on DIN rail and GND 2 holder



Dimensions



Basic circuit diagram



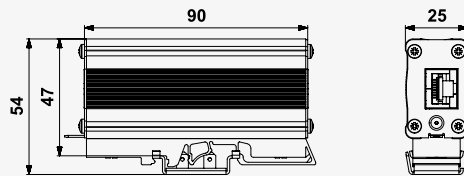
Parameter / Type		DL-1G-RJ45-PoE-AB	DL-10G-RJ45-PoE-AB
Location of SPD		ST 1+2+3	ST 1+2+3
Maximum operating voltage	U_c	8,5 V DC	8,5 V DC
Nominal load current	I_L	0,5 A	0,5 A
C2 nominal discharge current (8/20 μ s) core-core	I_n	0,15 kA	0,15 kA
C2 total discharge current (8/20 μ s) cores-PE	I_{Total}	10 kA	10 kA
C2 voltage protection level mode core-core at I_n	U_p	60 V	60 V
C3 voltage protection level mode core-core at 1 kV/ μ s	U_p	22 V	22 V
C3 voltage protection level mode core-PE at 1 kV/ μ s	U_p	500 V	500 V
D1 total discharge current (10/350 μ s) cores-PE	I_{Total}	2 kA	2 kA
Response time core-core	t_a	1 ns	1 ns
Response time core-PE	t_a	100 ns	100 ns
Insertion attenuation at 250 MHz		1,2 dB	-
Insertion attenuation at 500 MHz		-	1,8 dB
Maximum operating voltage	U_c	58 V DC	58 V DC
Nominal load current	I_L	1,5 A	1,5 A
C2 nominal discharge current (8/20 μ s) core-core	I_n	0,15 kA	0,15 kA
C2 total discharge current (8/20 μ s) cores-PE	I_{Total}	10 kA	10 kA
C2 voltage protection level mode (POE) at I_n		90 V	90 V
C3 voltage protection level mode (POE) at 1 kV/ μ s		80 V	80 V
C3 voltage protection level mode core-PE at 1 kV/ μ s	U_p	500 V	500 V
Response time core-core	t_a	1 ns	1 ns
Response time core-PE	t_a	100 ns	100 ns
Connection (input - output)		RJ 45/RJ 45	RJ 45/RJ 45
Degree of protection		IP 20	IP 20
Range of operating temperatures (min/max)		-40 °C / 80 °C	-40 °C / 80 °C
Mounting		DIN rail 35 mm	DIN rail 35 mm
According to standard		EN 61643-21+A1,A2:2013, IEC 61643-21+A1,A2:2012 / D1, C2, C3	
Ordering number		A06148	A06149

Surge Arrester for twisted-conductor cables RJ45 sockets

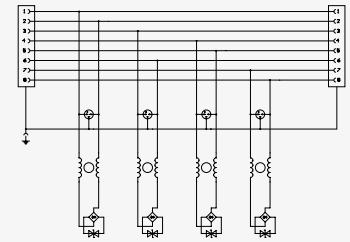
- lightning current arrester with combination coarse and fine protection
- installation at the boundary of LPZ 0 and LPZ 1 zones at the line entry into building or higher and also installation close to protected device
- for protection of IP telephony line and signals via UTP / FTP / STP cables Cat. 6 or Cat. 6A against surge overvoltage
- in the scope of delivery: universal plastic adapter for mounting on DIN rail and GND 2 holder



Dimensions



Basic circuit diagram



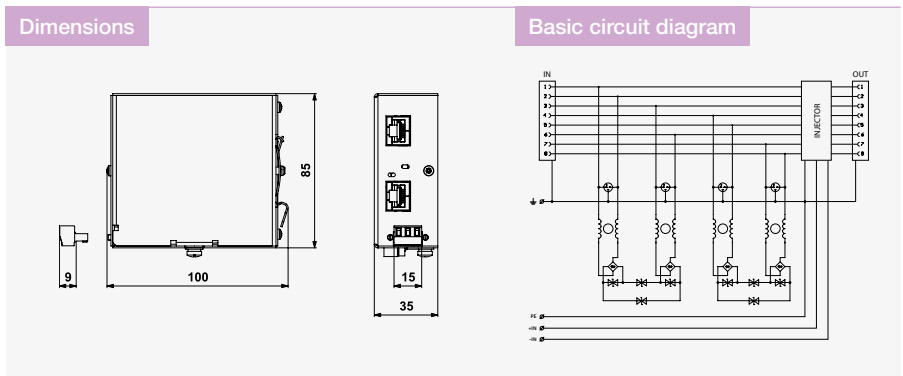
Parameter / Type		DL-1G-RJ45-60V	DL-10G-RJ45-60V
Location of SPD		ST 1+2+3	ST 1+2+3
Maximum operating voltage	U_c	60 V DC	60 V DC
Nominal load current	I_L	0.50 A	0.50 A
C2 nominal discharge current (8/20 μ s) per core	I_n	0.15 kA	0.15 kA
C2 total discharge current (8/20 μ s) core-PE	I_{Total}	10.00 kA	10.00 kA
C2 voltage protection level mode core-core at I_n	U_p	100.00 V	100.00 V
C3 voltage protection level mode core-core at 1 kV/ μ s	U_p	90.00 V	90.00 V
C3 voltage protection level mode core-PE at 1 kV/ μ s	U_p	500.00 V	500.00 V
D1 total discharge current (10/350 μ s) cores-PE	I_{Total}	2.00 kA	2.00 kA
Response time core-core	t_a	1.00 ns	1.00 ns
Response time core-PE	t_a	100.00 ns	100.00 ns
Insertion attenuation at 250 MHz		1.50 dB	-
Insertion attenuation at 500 MHz		-	2.50 dB
Connection (input – output)		RJ 45/RJ 45	RJ 45/RJ 45
Degree of protection		IP 20	IP 20
Mounting		DIN rail 35 mm	DIN rail 35 mm
Range of operating temperatures (min/max)		-40 °C ... 80 °C	-40 °C ... 80 °C
According to standard		EN 61643-21+A1,A2:2013, IEC 61643-21+A1,A2:2012 / C2,C3	
Ordering number		A06220	A06221

DL-1G-POE-INJECTOR

NEW

Surge Arrester for Power over Ethernet
RJ45 connectors, with injector

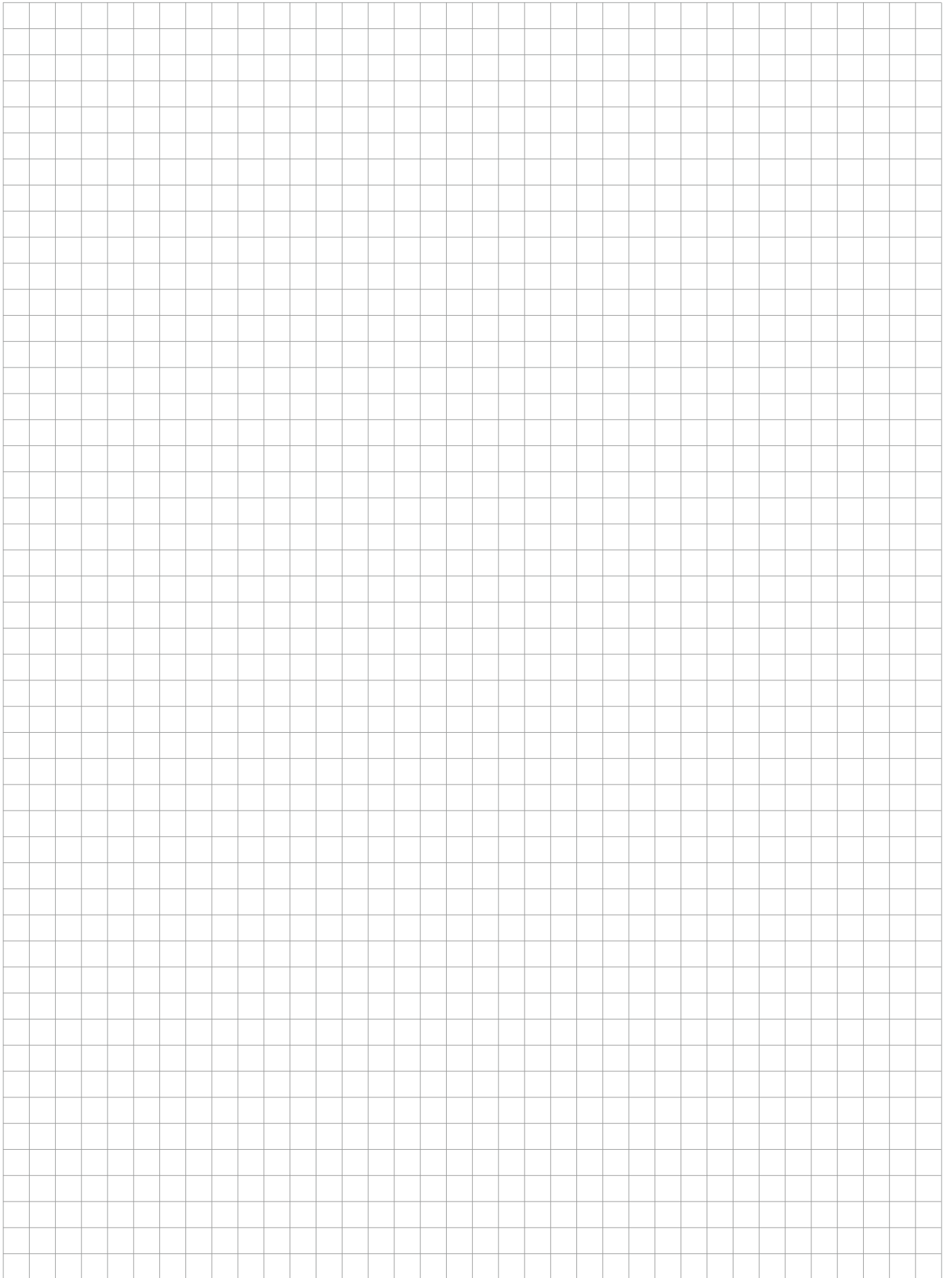
- two-stage surge protection of Ethernet in combination with protection of power supply over this line
- installation at the entrance of a building, close to protected device, at the boundary of LPZ 0 and LPZ 1 zones and higher ones
- to protect the Ethernet line Cat. 6 with PoE (power supply over Ethernet) in mode A, B against surge voltage



Parameter / Type	DL-1G-POE-INJECTOR	
Location of SPD		ST 1+2+3
Maximum operating voltage	U_c	8,5 V DC
Nominal load current	I_L	0,5 A
C2 nominal discharge current (8/20 μ s) core-core	I_n	0,15 kA
C2 total discharge current (8/20 μ s) cores-PE	I_{Total}	10 kA
C2 voltage protection level mode core-core at I_n	U_p	70 V
C3 voltage protection level mode core-core at 1 kV/ μ s	U_p	80 V
C3 voltage protection level mode core-PE at 1 kV/ μ s	U_p	500 V
D1 total discharge current (10/350 μ s) cores-PE	I_{Total}	2 kA
Response time core-core	t_a	1 ns
Response time core-PE	t_a	100 ns
Maximum operating voltage	U_c	58 V DC
Nominal load current	I_L	1,5 A
C2 nominal discharge current (8/20 μ s) core-core	I_n	0,15 kA
C2 total discharge current (8/20 μ s) cores-PE	I_{Total}	10 kA
C2 voltage protection level mode (POE) at I_n		90 V
C3 voltage protection level mode (POE) at 1 kV/ μ s		80 V
C3 voltage protection level mode core-PE at 1 kV/ μ s	U_p	500 V
Response time core-core	t_a	1 ns
Response time core-PE	t_a	100 ns
Connection (input - output)		RJ 45 / RJ 45
Degree of protection		IP 20
Range of operating temperatures (min/max)		-40 °C / 80 °C
Mounting		DIN rail 35 mm
According to standard		EN 61643-21+A1,A2:2013, IEC 61643-21+A1,A2:2012 / C2,C3
Ordering number		A06620

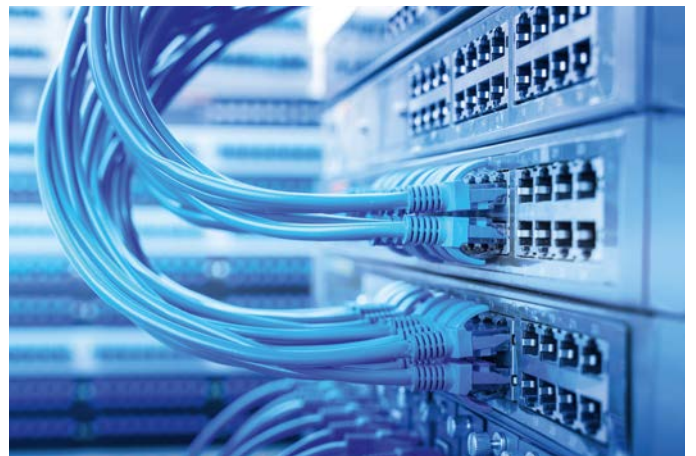
Data, signal and telecommunication networks

Notes



SPDs for data / signalling / telecommunication networks

SPDs for Ethernet and other data lines for 19" RACK enclosures



- SPDs for protection of Ethernet lines up to 10Gbits
- Versions for lines with data and supply (PoE) and also type with injector
- Design for 19" RACK (height 1U)
- Modular system

- Line DL-CS-RACK-1U - SPD for Ethernet, PoE, etc.
- Line DL-CS-RACK-1U-INJECTOR - SPD for PoE including injector

For larger systems with 19" RACK enclosures, the new SALTEK RACK surge protection system is advantageous to be used. Thanks to this system, communication lines with different transmission categories can be installed into a single box/profile with 1U height and can be correctly protected against overvoltage (according to user's configuration). This solution has not been made possible by standard systems yet. Space saving in the enclosure thanks to the possibility of using various surge protections in a single 1U profile is an advantage. During the dynamic development of data networks, when additional communication lines are added to the existing system, the added lines can be simply integrated into the system via an existing 1U profile with a proper surge protection (if free space in the profile allows that). Therefore, the additional lines do not occupy positions in the 19" RACK enclosure by other RACK profiles with a suitable surge protection.

The boxes/profiles are the cornerstone of this system:

■ **DL-CS-RACK-1U**

The box for the 19" enclosure with the 1U height, up to 7 different DL-PCB-xx surge protections can be assembly, which belong to optional accessories. The box allows to connect up to 12 lines with the different combination of protections (according to the line). See Fig. 01.

■ **DL-CS-RACK-1U-INJECTOR**

The box for the 19" enclosure with the 1U height, which is equipped with wiring to connect the power supply. There is the possibility to create a powered Ethernet connection in combination with the **DL-1G-POE-PCB-INJECTOR** surge protection module. Up to 6 lines are possible. See Fig. 02. The combination of the surge protection and the injector supplies electrical energy to desired channels. Using jumpers, the injector can be set to create either **PoE A** or **PoE B**, including variant settings of **PoE A** versions (according to the polarity of the power supply). This solution can reduce the number of power supply cables and can simplify the wiring in the 19" enclosure.

Fig. 01 DL-CS-RACK-1U and assembly of SPD modules



Fig. 02 DL-CS-RACK-1U-INJECTOR and assembly of SPD modules

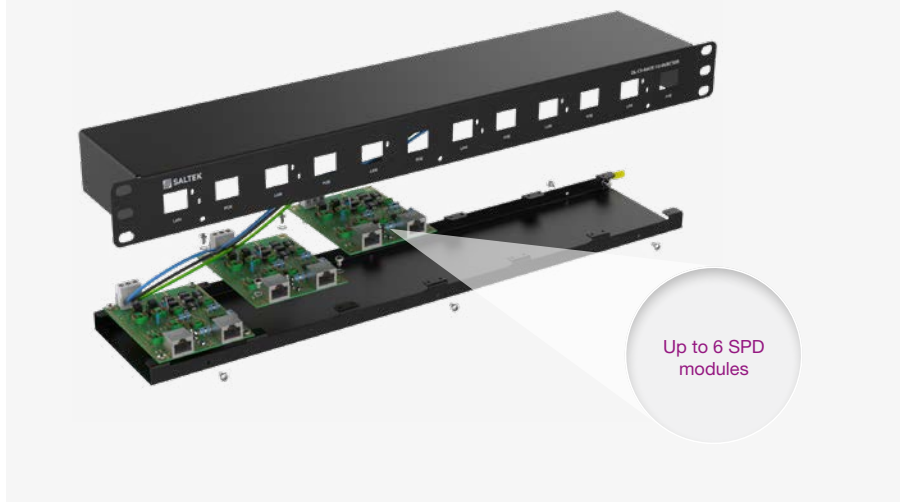
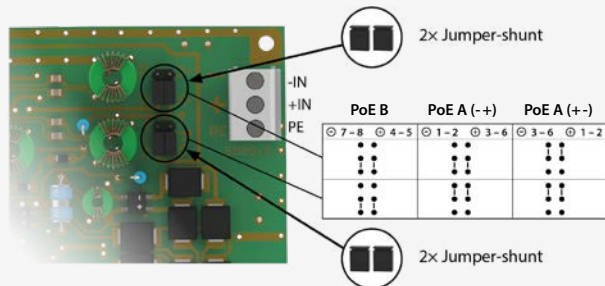


Fig. 03 Setting of DL-1G-POE-PCB-INJECTOR by jumpers



<input type="checkbox"/> PoE A	Red: Ⓞ 1-2 Green: Ⓞ 3-6
<input type="checkbox"/> PoE B	Green: Ⓞ 4-5



DL-CS-RACK-1U

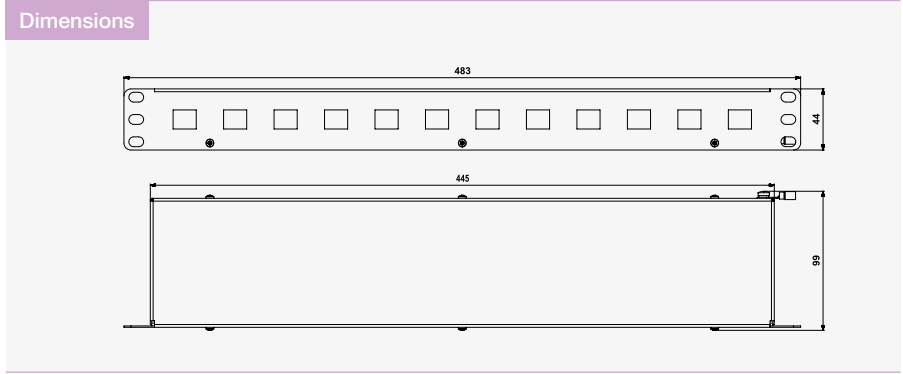
NEW

Box for SPD modules for 19" enclosure
1U height

- for SPD modules:
DL-PCB-Cat.5e, DL-PCB-Cat.6,
DL-PCB-Cat.6A,
Pg. 174

- for SPD modules:
DL-1G-RJ45-PCB-POE-AB,
DL-10G-RJ45-PCB-POE-AB,
Pg. 175

- for SPD modules:
DL-1G-RJ45-PCB-60V,
DL-10G-RJ45-PCB-60V,
Pg. 176



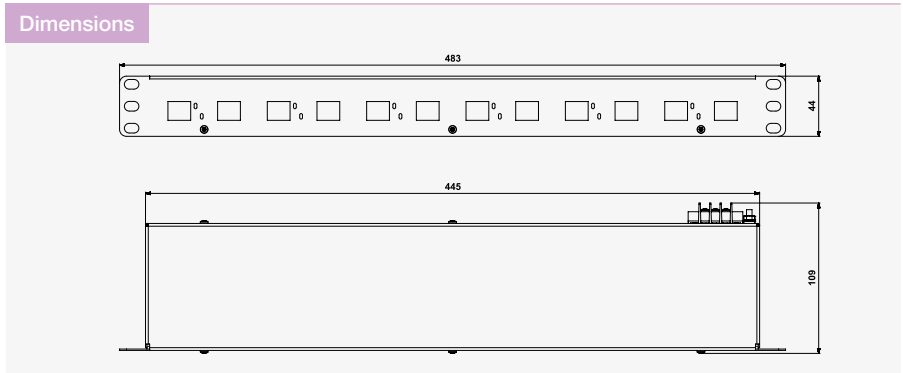
Type	DL-CS-RACK-1U
Ordering number	A06571

DL-CS-RACK-1U-INJECTOR

Box for SPD modules for 19" enclosure
1U height

- for SPD modules:
DL-1G-POE-PCB-INJECTOR,
Pg. 177

- including wiring for connection of SPD
modules (PoE supply)



Type	DL-CS-RACK-1U-INJECTOR
Ordering number	A06569

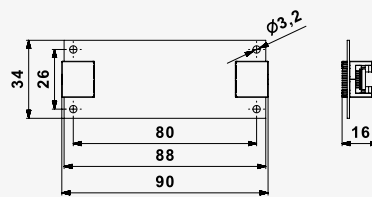
Data, signal and telecommunication networks

Surge Arrester for Ethernet RJ45 sockets, PCB

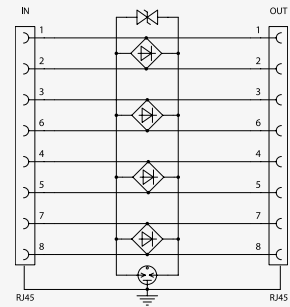
- fine surge protection of Ethernet line
- installation close to protected equipment
- for protection of Ethernet line Cat. 5e, Cat. 6 and Cat. 6A against surge voltage
- for assembly to DL-CS-RACK-1U



Dimensions



Basic circuit diagram



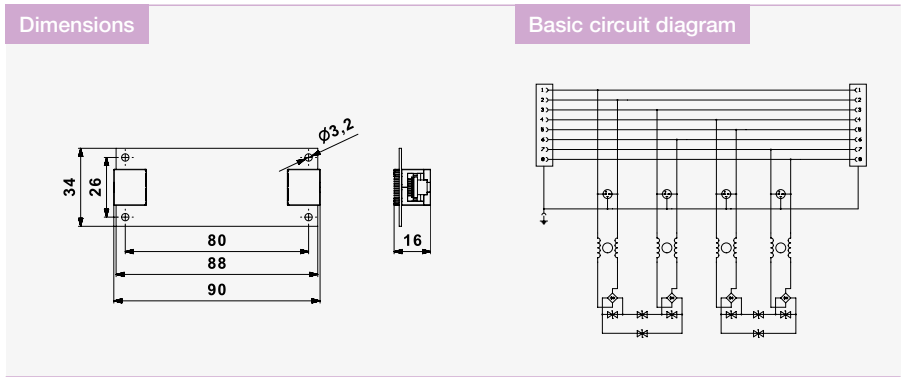
Parameter / Type		DL-PCB-Cat.5e	DL-PCB-Cat.6	DL-PCB-Cat.6A
Location of SPD		ST 2+3	ST 2+3	ST 2+3
Maximum operating voltage	U_c	6 V AC / 8,5 V DC	6 V AC / 8,5 V DC	6 V AC / 8,5 V DC
Nominal load current	I_L	0,5 A	0,5 A	0,5 A
C2 nominal discharge current (8/20 μ s) per core	I_n	0,2 kA	0,2 kA	0,2 kA
C2 total discharge current (8/20 μ s) core-PE	I_{Total}	1,6 kA	1,6 kA	1,6 kA
C2 voltage protection level mode core-core at In	U_p	55 V	55 V	55 V
C2 voltage protection level mode core-PE at In	U_p	400 V	400 V	400 V
C3 voltage protection level mode core-core at 1 kV/ μ s	U_p	30 V	30 V	30 V
C3 voltage protection level mode core-PE at 1 kV/ μ s	U_p	600 V	600 V	600 V
Response time core-core	t_a	1 ns	1 ns	1 ns
Response time core-PE	t_a	100 ns	100 ns	100 ns
Insertion attenuation at 100 MHz		0,9 dB	-	-
Insertion attenuation at 250 MHz		-	1,9 dB	-
Insertion attenuation at 500 MHz		-	-	2,9 dB
Connection (input – output)		RJ 45 / RJ 45	RJ 45 / RJ 45	RJ 45 / RJ 45
Degree of protection		IP 00	IP 00	IP 00
Range of operating temperatures (min/max)		-40 °C / 80 °C	-40 °C / 80 °C	-40 °C / 80 °C
According to standard		EN 61643-21+A1,A2:2013, IEC 61643-21+A1,A2:2012 / C2,C3		
Ordering number		A06581	A06582	A06583

DL-...-RJ45-PCB-PoE-AB

NEW

Surge Arrester for Power over Ethernet
RJ45 sockets, PCB

- combination of coarse and fine protection of Ethernet line with PoE
- installation at the entry of the line into building and close to protected equipment, at the boundary of LPZ 0 and LPZ 1 or higher
- for protection of Ethernet line Cat. 6 or Cat. 6A with PoE (Power over ethernet) in mode A or B against surge voltage
- for assembly to DL-CS-RACK-1U



Parameter / Type		DL-1G-RJ45-PCB-PoE-AB	DL-10G-RJ45-PCB-PoE-AB
Location of SPD		ST 1+2+3	ST 1+2+3
Maximum operating voltage	U_c	8,5 V DC	8,5 V DC
Nominal load current	I_L	0,5 A	0,5 A
C2 nominal discharge current (8/20 μ s) core-core	I_n	0,15 kA	0,15 kA
C2 total discharge current (8/20 μ s) cores-PE	I_{Total}	10 kA	10 kA
C2 voltage protection level mode core-core at I_n	U_p	60 V	60 V
C3 voltage protection level mode core-core at 1 kV/ μ s	U_p	22 V	22 V
C3 voltage protection level mode core-PE at 1 kV/ μ s	U_p	500 V	500 V
D1 total discharge current (10/350 μ s) cores-PE	I_{Total}	2 kA	2 kA
Response time core-core	t_a	1 ns	1 ns
Response time core-PE	t_a	100 ns	100 ns
Insertion attenuation at 250 MHz		1,2 dB	
Insertion attenuation at 500 MHz			1,8 dB
Maximum operating voltage	U_c	58 V DC	58 V DC
Nominal load current	I_L	1,5 A	1,5 A
C2 nominal discharge current (8/20 μ s) core-core	I_n	0,15 kA	0,15 kA
C2 total discharge current (8/20 μ s) cores-PE	I_{Total}	10 kA	10 kA
C2 voltage protection level mode (POE) at I_n		90 V	90 V
C3 voltage protection level mode (POE) at 1 kV/ μ s		80 V	80 V
C3 voltage protection level mode core-PE at 1 kV/ μ s	U_p	500 V	500 V
Response time core-core	t_a	1 ns	1 ns
Response time core-PE	t_a	100 ns	100 ns
Connection (input - output)		RJ 45 / RJ 45	RJ 45 / RJ 45
Degree of protection		IP 20	IP 20
Range of operating temperatures (min/max)		-40 °C / 80 °C	-40 °C / 80 °C
According to standard		EN 61643-21+A1,A2:2013, IEC 61643-21+A1,A2:2012 / C2,C3	
Ordering number		A06577	A06578

Data, signal and telecommunication networks

DL-...-RJ45-PCB-60V

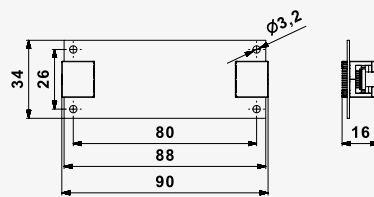
NEW

Surge Arrester for twisted-conductor cables
RJ45 sockets, PCB

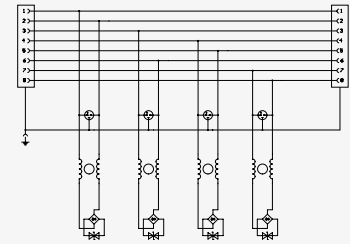
- combination of coarse and fine protection of Ethernet line with PoE
- installation at the entry of the line into building and close to protected equipment, at the boundary of LPZ 0 and LPZ 1 or higher
- for protection of IP telephony line and signals via UTP / FTP / STP cables Cat. 6 or Cat. 6A against surge overvoltage
- for assembly to DL-CS-RACK-1U



Dimensions



Basic circuit diagram



Parameter / Type		DL-1G-RJ45-PCB-60V	DL-10G-RJ45-PCB-60V
Location of SPD		ST 1+2+3	ST 1+2+3
Maximum operating voltage	U_c	60 V DC	60 V DC
Nominal load current	I_L	0,50 A	0,50 A
C2 nominal discharge current (8/20 μ s) per core	I_n	0,15 kA	0,15 kA
C2 total discharge current (8/20 μ s) core-PE	I_{Total}	10,00 kA	10,00 kA
C2 voltage protection level mode core-core at I_n	U_p	100,00 V	100,00 V
C3 voltage protection level mode core-core at 1 kV/ μ s	U_p	90,00 V	90,00 V
C3 voltage protection level mode core-PE at 1 kV/ μ s	U_p	500,00 V	500,00 V
D1 total discharge current (10/350 μ s) cores-PE	I_{Total}	2,00 kA	2,00 kA
Response time core-core	t_a	1,00 ns	1,00 ns
Response time core-PE	t_a	100,00 ns	100,00 ns
Insertion attenuation at 250 MHz		1,50 dB	
Insertion attenuation at 500 MHz			2,50 dB
Connection (input – output)		RJ 45 / RJ 45	RJ 45 / RJ 45
Degree of protection		IP 20	IP 20
Range of operating temperatures (min/max)		-40 °C / 80 °C	-40 °C / 80 °C
According to standard		EN 61643-21+A1, A2:2013 / D1, C2	EN 61643-21+A1, A2:2013 / D1, C2
Ordering number		A06579	A06580

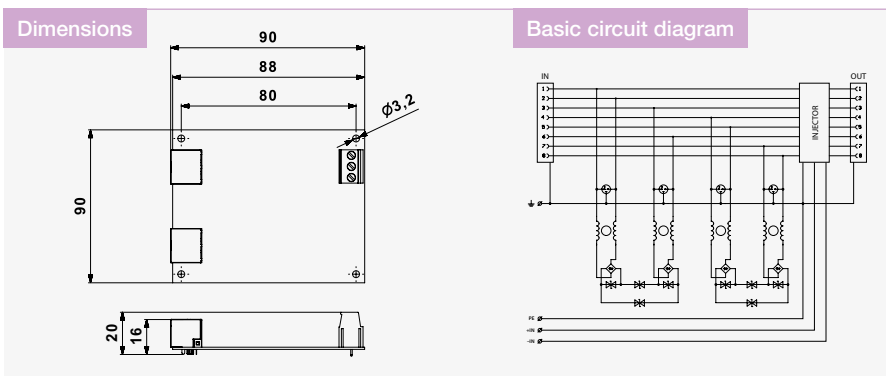
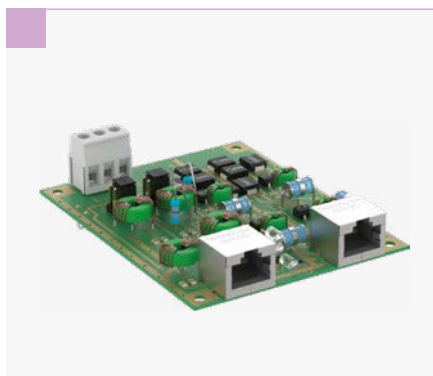
DL-1G-POE-PCB-INJECTOR

NEW

Surge Arrester for Power over Ethernet

RJ45 sockets, PCB, with injector

- combination of coarse and fine protection of Ethernet line with PoE
- installation at the entry of the line into building and close to protected equipment, at the boundary of LPZ 0 and LPZ 1 or higher
- for protection of Ethernet line Cat. 6 or Cat. 6A with PoE (Power over Ethernet) in mode A or B against surge voltage
- for assembly to DL-CS-RACK-1U-INJECTOR



Parameter / Type		DL-1G-POE-PCB-INJECTOR
Location of SPD		ST 1+2+3
Maximum operating voltage	U_c	8,5 V DC
Nominal load current	I_L	0,5 A
C2 nominal discharge current (8/20 μ s) core-core	I_n	0,15 kA
C2 total discharge current (8/20 μ s) cores-PE	I_{Total}	10 kA
C2 voltage protection level mode core-core at I_n	U_p	70 V
C3 voltage protection level mode core-core at 1 kV/ μ s	U_p	80 V
C3 voltage protection level mode core-PE at 1 kV/ μ s	U_p	500 V
D1 total discharge current (10/350 μ s) cores-PE	I_{Total}	2 kA
Response time core-core	t_a	1 ns
Response time core-PE	t_a	100 ns
line part		
Maximum operating voltage	U_c	58 V DC
Nominal load current	I_L	1,5 A
C2 nominal discharge current (8/20 μ s) core-core	I_n	0,15 kA
C2 total discharge current (8/20 μ s) cores-PE	I_{Total}	10 kA
C2 voltage protection level mode (POE) at I_n		90 V
C3 voltage protection level mode (POE) at 1 kV/ μ s		80 V
C3 voltage protection level mode core-PE at 1 kV/ μ s	U_p	500 V
Response time core-core	t_a	1 ns
Response time core-PE	t_a	100 ns
power part		
Connection (input - output)		RJ 45 / RJ 45
Degree of protection		IP 00
Range of operating temperatures (min/max)		-40 °C / 80 °C
According to standard		EN 61643-21+A1,A2:2013, IEC 61643-21+A1,A2:2012 / C2,C3
Ordering number		A06570

Data, signal and telecommunication networks

Notes



SPDs for data/signalling/telecommunication networks

SPDs for video and coaxial lines



- Protection of video circuits or data transmission over twisted pair cable
- Radio or telecommunication lines
- TV systems and cameras

- Line VL – surge arrester for video lines
- Line HX, ZX and FX – Lightning Current Arresters
- Line SX – Surge Arresters

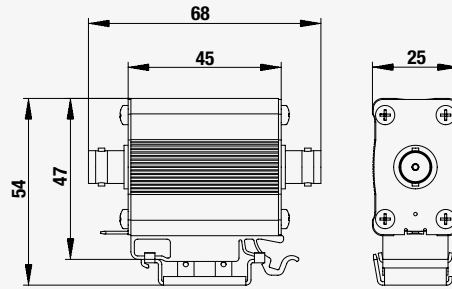
VL-...

Surge Arrester for video circuits terminals or BNC connectors, 75 Ω

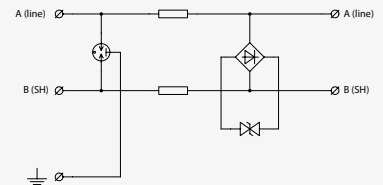
- combination of coarse and fine protection for video circuits
- installation close to protected equipment
- for protection of video systems, CCTV, etc. against surge voltage
- in the scope of delivery: universal plastic adapter for mounting on DIN rail and GND 2 holder



Dimensions



Basic circuit diagram

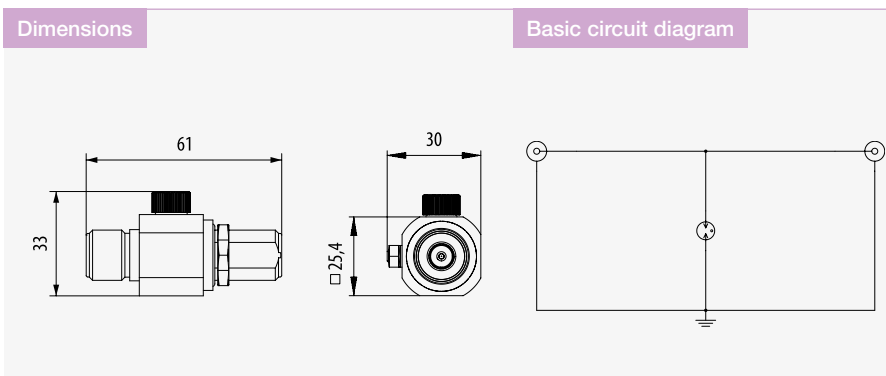


Parameter / Type		VL-B75 F/F	VL-SV
Location of SPD		ST 2+3	ST 2+3
Maximum operating voltage	U_c	6 V AC / 8,5 V DC	6 V AC / 8,5 V DC
Nominal load current	I_L	0,06 A	0,06 A
C2 nominal discharge current (8/20 μs) core-SH	I_n	5 kA	5 kA
C2 nominal discharge current (8/20 μs) SH-PE	I_n	5 kA	5 kA
C2 voltage protection level mode core-SH at I_n	U_p	150 V	150 V
C2 voltage protection level mode SH-PE at I_n	U_p	350 V	350 V
C3 voltage protection level mode core-SH at 1 kV/μs	U_p	35 V	35 V
C3 voltage protection level mode SH-PE at 1 kV/μs	U_p	350 V	350 V
Response time core-SH	t_a	1 ns	1 ns
Response time SH-PE	t_a	100 ns	100 ns
Serial resistance per core	R	0,27 Ω	0,27 Ω
Threshold frequency core-SH	f	150 MHz	150 MHz
Connection (input - output)		BNC 75	terminals
Degree of protection		IP 20	IP 20
Range of operating temperatures (min/max)		-40 °C / 80 °C	-40 °C / 80 °C
Mounting		DIN rail 35 mm	DIN rail 35 mm
According to standard		EN 61643-21+A1,A2:2013, IEC 61643-21+A1,A2:2012 / C2,C3	
Ordering number		A03376	A03379

HX-... N50 F/.

Lightning Current Arrester for coaxial line
N connectors, 50 Ω

- lightning current arrester for coaxial line
- installation at the boundary of LPZ 0 and LPZ 1 zones at the line entry into building
- for protection of coaxial lines and telecommunication equipment against impact of direct or indirect lightning strike
- suitable for the combined signal and power supply installations



Parameter / Type		HX-090 N50 F/F	HX-090 N50 F/M	HX-230 N50 F/F	HX-230 N50 F/M
Location of SPD		ST 1+2	ST 1+2	ST 1+2	ST 1+2
Maximum operating voltage	U_c	70 V DC	70 V DC	180 V DC	180 V DC
Nominal load current	I_L	6 A	6 A	6 A	6 A
C2 nominal discharge current (8/20 μs) core-PE	I_n	10 kA	10 kA	10 kA	10 kA
D1 impulse discharge current (10/350 μs) core-PE	I_{imp}	2,5 kA	2,5 kA	2,5 kA	2,5 kA
C3 voltage protection level mode core-PE at 1 kV/μs	U_p	600 V	600 V	650 V	650 V
Response time core-PE	t_a	100 ns	100 ns	100 ns	100 ns
Power	P	95 W	95 W	640 W	640 W
Wave impedance	Z	50 Ω	50 Ω	50 Ω	50 Ω
Bandwidth - min	f	0 MHz	0 MHz	0 MHz	0 MHz
Bandwidth - max	f	3 500 MHz	3 500 MHz	3 500 MHz	3 500 MHz
Insertion attenuation		0,1 dB	0,1 dB	0,1 dB	0,1 dB
SWR	SWR	1,2	1,2	1,2	1,2
Connection (input - output)		N 50	N 50	N 50	N 50
Degree of protection		IP 66	IP 66	IP 66	IP 66
Range of operating temperatures (min/max)		-40 °C / 80 °C	-40 °C / 80 °C	-40 °C / 80 °C	-40 °C / 80 °C
According to standard		EN 61643-21+A1,A2:2013, IEC 61643-21+A1,A2:2012 / D1, C2,C3			
Ordering number		A03405	A03346	A03511	A03510

Data, signal and telecommunication networks

Accessories	Ordering number	See page
Holder	A01564	188

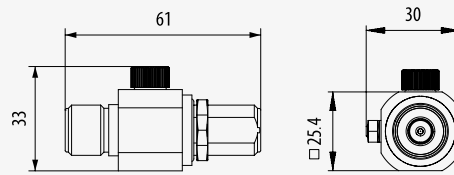
HX-470-N50 F/.

Lightning current arrester for coaxial line connectors N 50 Ω

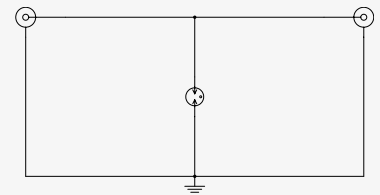
- lightning current arrester for coaxial line
- installation at the boundary of LPZ 0 and LPZ 1 zones at the line entry into building
- for protection of coaxial lines and telecommunication device against impact of direct or indirect lightning strike
- suitable for the combined signal and power supply installations
- maximum transmit power up to 1.8 kW



Dimensions



Basic circuit diagram



Parameter / Type		HX-470-N50-F/M	HX-470-N50-F/F
Location of SPD		ST 1+2	ST 1+2
Maximum operating voltage	U_c	360 V DC	360 V DC
Nominal load current	I_L	6 A	6 A
C2 total discharge current (8/20 μs) core-PE	I_n	10 kA	10 kA
D1 total discharge current (10/350 μs) cores-PE	I_{Total}	2.5 kA	2.5 kA
C3 voltage protection level mode core-PE at 1 kV/μs	U_p	980 V	980 V
Response time core-PE	t_a	100 ns	100 ns
Performance	P	1,800 W	1,800 W
Wave impedance	Z	50 Ω	50 Ω
Bandwidth - min	f	0 MHz	0 MHz
Bandwidth - max	f	1.8 GHz	1.8 GHz
Insertion attenuation		0.1 dB	0.1 dB
SWR	SWR	1.2	1.2
Connection (input – output)		N 50	N 50
Degree of protection		IP 66	IP 66
Range of operating temperatures (min/max)		-40 °C / 80 °C	-40 °C / 80 °C
According to standard		EN 61643-21+A1,A2:2013, IEC 61643-21+A1,A2:2012 / D1, C2,C3	
Ordering number		A06555	A06556



Accessories

Holder

Ordering number

A01564

See page

188

ZX-0,44-N50-F/.

Lightning current arrester for coaxial line
connectors N 50 Ω, λ/8 wave length shortcut

- lightning current arrester uses λ/8 wave length shortcut
- installation at the boundary of LPZ 0 and LPZ 1 zones (or higher) at the line entry into building
- for protection of coaxial radio lines and telecommunication devices against impact of direct or indirect lightning strike
- it works like band-pass (filter) for a relatively narrow frequency spectrum around the base frequency, outside of this spectrum it works like a short circuit (not suitable for combination with power supply)



Dimensions

Basic circuit diagram

Parameter / Type	ZX-0,44-N50-F/F	ZX-0,44-N50-F/M
Location of SPD	ST 1+2+3	ST 1+2+3
C2 total discharge current (8/20 μs) core-PE	I_n 20 kA	20 kA
D1 lightning impulse current (10/350 μs) per core	I_{imp} 5 kA	5 kA
C3 voltage protection level mode core-PE at 1 kV/μs	U_p 0.25 V	0.25 V
Wave impedance	Z 50 Ω	50 Ω
Insertion attenuation	0.2 dB	0.2 dB
SWR	SWR 1.2	1.2
Connection (input – output)	female N 50 / female N 50	female N 50 / female N 50
Degree of protection	IP 20	IP 20
Range of operating temperatures (min/max)	-40 °C ... 80 °C	-40 °C ... 80 °C
According to standard	EN 61643-21+A1,A2:2013, IEC 61643-21+A1,A2:2012 / D1, C2,C3	
Ordering number	A06207	A06288

Data, signal and telecommunication networks

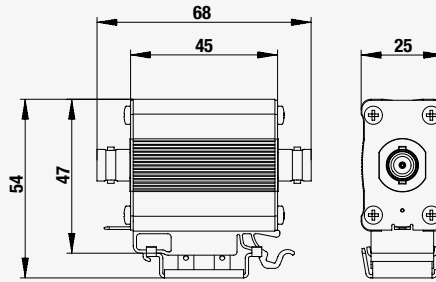
FX-... B75 T F/F

Lightning Current Arrester for coaxial line
BNC connectors, 75 Ω

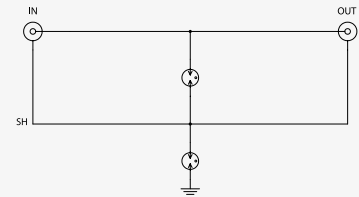
- lightning current arrested with floating shielding (separated with GDT)
 - installation at the boundary of LPZ 0 and LPZ 1 zones at the line entry into building
 - for protection of coaxial lines of TV and CCTV systems, suitable as the 1st level
- of surge for protection in coordination with the SX type
- in the scope of delivery: universal plastic adapter for mounting on DIN rail and GND 2 holder



Dimensions



Basic circuit diagram

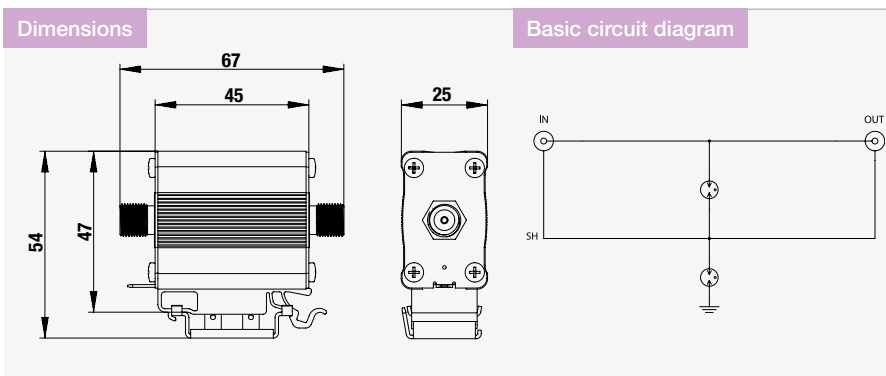


Parameter / Type		FX-090 B75 T F/F	FX-230 B75 T F/F
Location of SPD		ST 1	ST 1
Maximum operating voltage	U_c	70 V DC	180 V DC
Nominal load current	I_L	4 A	4 A
C2 nominal discharge current (8/20 μs) core-SH	I_n	10 kA	10 kA
C2 nominal discharge current (8/20 μs) SH-PE	I_n	10 kA	10 kA
D1 impulse discharge current (10/350 μs) core-SH	I_{imp}	2,5 kA	2,5 kA
D1 impulse discharge current (10/350 μs) SH-PE	I_{imp}	2,5 kA	2,5 kA
C3 voltage protection level mode core-SH at 1 kV/μs	U_p	600 V	660 V
C3 voltage protection level mode SH-PE at 1 kV/μs	U_p	600 V	660 V
Wave impedance	Z	75 Ω	75 Ω
Insertion attenuation		0,6 dB	0,6 dB
SWR	SWR	1,2	1,2
Bandwidth - min	f	0 MHz	0 MHz
Bandwidth - max	f	2 150 MHz	2 150 MHz
Response time core-SH	t_a	100 ns	100 ns
Response time SH-PE	t_a	100 ns	100 ns
Connection (input - output)		BNC 75	BNC 75
Degree of protection		IP 20	IP 20
Range of operating temperatures (min/max)		-40 °C / 80 °C	-40 °C / 80 °C
Mounting		DIN rail 35 mm	DIN rail 35 mm
According to standard		EN 61643-21+A1,A2:2013, IEC 61643-21+A1,A2:2012 / D1, C2	
Ordering number		A03385	A03390

FX-... F75 T F/F

Lightning Current Arrester for coaxial line
F connectors, 75 Ω

- lightning current arrested with floating shielding (separated with GDT)
- installation at the boundary of LPZ 0 and LPZ 1 zones at the line entry into building
- for protection of coaxial lines of TV and CCTV systems, suitable as the 1st level of surge for protection in coordination with the SX type
- in the scope of delivery: universal plastic adapter for mounting on DIN rail and GND 2 holder



Parameter / Type		FX-090 F75 T F/F	FX-230 F75 T F/F
Location of SPD		ST 1	ST 1
Maximum operating voltage	U_c	70 V DC	180 V DC
Nominal load current	I_L	4 A	4 A
C2 nominal discharge current (8/20 μs) core-SH	I_n	10 kA	10 kA
C2 nominal discharge current (8/20 μs) SH-PE	I_n	10 kA	10 kA
D1 impulse discharge current (10/350 μs) core-SH	I_{imp}	2,5 kA	2,5 kA
D1 impulse discharge current (10/350 μs) SH-PE	I_{imp}	2,5 kA	2,5 kA
C3 voltage protection level mode core-SH at 1 kV/μs	U_p	600 V	660 V
C3 voltage protection level mode SH-PE at 1 kV/μs	U_p	600 V	660 V
Wave impedance	Z	75 Ω	75 Ω
Insertion attenuation		0,2 dB	0,2 dB
SWR	SWR	1,3	1,3
Bandwidth - min	f	0 MHz	0 MHz
Bandwidth - max	f	2 150 MHz	2 150 MHz
Response time core-SH	t_a	100 ns	100 ns
Response time SH-PE	t_a	100 ns	100 ns
Connection (input - output)		F 75	F 75
Degree of protection		IP 20	IP 20
Range of operating temperatures (min/max)		-40 °C / 80 °C	-40 °C / 80 °C
Mounting		DIN rail 35 mm	DIN rail 35 mm
According to standard		EN 61643-21+A1,A2:2013, IEC 61643-21+A1,A2:2012 / D1, C2	
Ordering number		A03387	A03392

Data, signal and telecommunication networks

SX-090 B75 F/F

Surge Arrester for coaxial line
BNC connectors, 75 Ω

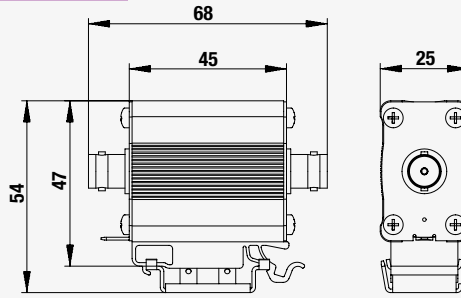
- surge arrester, shielding connected to protective grounding
- installation close to protected equipment
- for fine protection of coaxial inputs of TV and CCTV systems against surge

voltage, suitable as the 2nd level of surge protection in coordination with the FX type

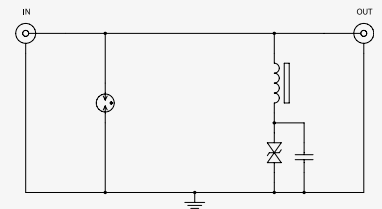
- in the scope of delivery: universal plastic adapter for mounting on DIN rail and GND 2 holder



Dimensions



Basic circuit diagram

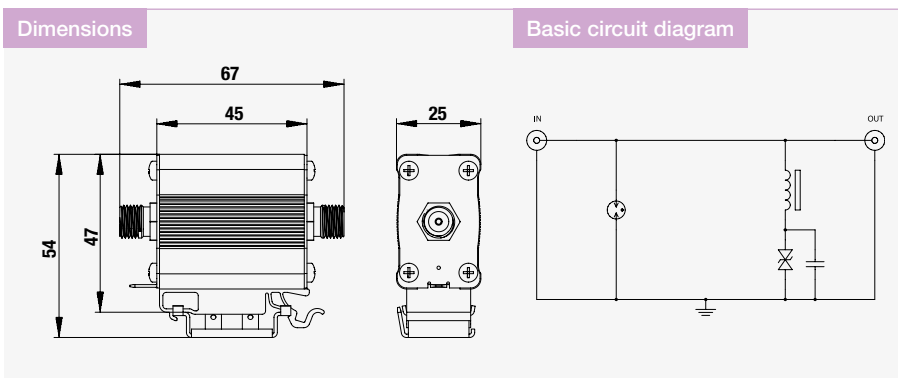


Parameter / Type	SX-090 B75 F/F	
Location of SPD	ST 2+3	
Maximum operating voltage	U_c	29,1 V DC
Nominal load current	I_L	4 A
C2 nominal discharge current (8/20 μs) core-PE	I_n	1,5 kA
C3 voltage protection level mode core-PE at 1 kV/μs	U_p	80 V
Wave impedance	Z	75 Ω
Insertion attenuation		1 dB
SWR	SWR	1,7
Bandwidth - min	f	1 MHz
Bandwidth - max	f	2 150 MHz
Response time core-PE	t_a	1 ns
Connection (input - output)		BNC 75
Degree of protection		IP 20
Range of operating temperatures (min/max)		-40 °C / 80 °C
Mounting		DIN rail 35 mm
According to standard	EN 61643-21+A1,A2:2013, IEC 61643-21+A1,A2:2012 / C2,C3	
Ordering number	A03395	

SX-090 F75 F/F

Surge Arrester for coaxial line
F connectors, 75 Ω

- surge arrester, shielding connected to protective grounding
 - installation close to protected equipment
 - for fine protection of coaxial inputs of TV and CCTV systems against surge voltage, suitable as the 2nd level
- of surge protection in coordination with the FX type
 - in the scope of delivery: universal plastic adapter for mounting on DIN rail and GND 2 holder


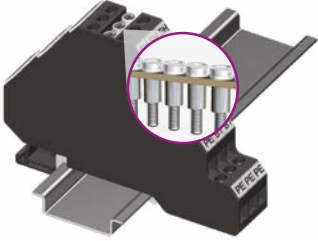


Parameter / Type	SX-090 F75 F/F	
Location of SPD		ST 2+3
Maximum operating voltage	U_c	29,1 V DC
Nominal load current	I_L	4 A
C2 nominal discharge current (8/20 μs) core-PE	I_n	1,5 kA
C3 voltage protection level mode core-PE at 1 kV/μs	U_p	80 V
Wave impedance	Z	75 Ω
Insertion attenuation		1 dB
SWR	SWR	1,7
Bandwidth - min	f	1 MHz
Bandwidth - max	f	2 150 MHz
Response time core-PE	t_a	1 ns
Connection (input - output)		F 75
Degree of protection		IP 20
Range of operating temperatures (min/max)		-40 °C / 80 °C
Mounting		DIN rail 35 mm
According to standard		EN 61643-21+A1,A2:2013, IEC 61643-21+A1,A2:2012 / C2,C3
Ordering number		A03397

Data, signal and telecommunication networks


Accessories for SPDs for data/signalling/telecommunication networks

Accessories for terminal blocks with screw terminals (-RS)



	Product	Ordering number	Example of use
	Connection bridge JRS 10P	B41175	

Cross connectors for terminal blocks with screwless terminals (-RB)



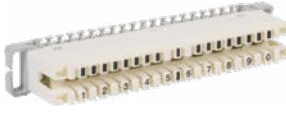

NEW

	Product	Packaging	Ordering number	Example of use
	CS-2,5/2	25 pcs	B470102	
	CS-2,5/3	20 pcs	B470103	
	CS-2,5/4	15 pcs	B470104	
	CS-2,5/5	10 pcs	B470105	
	CS-2,5/10	5 pcs	B470109	


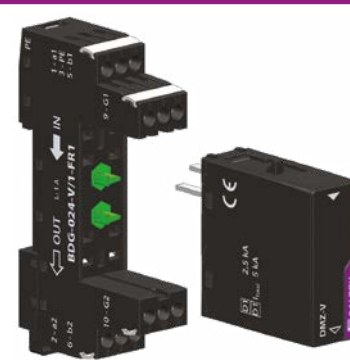
Accessories for HX

	Product	Ordering number	Example of use
	Holder of HX	A01564	

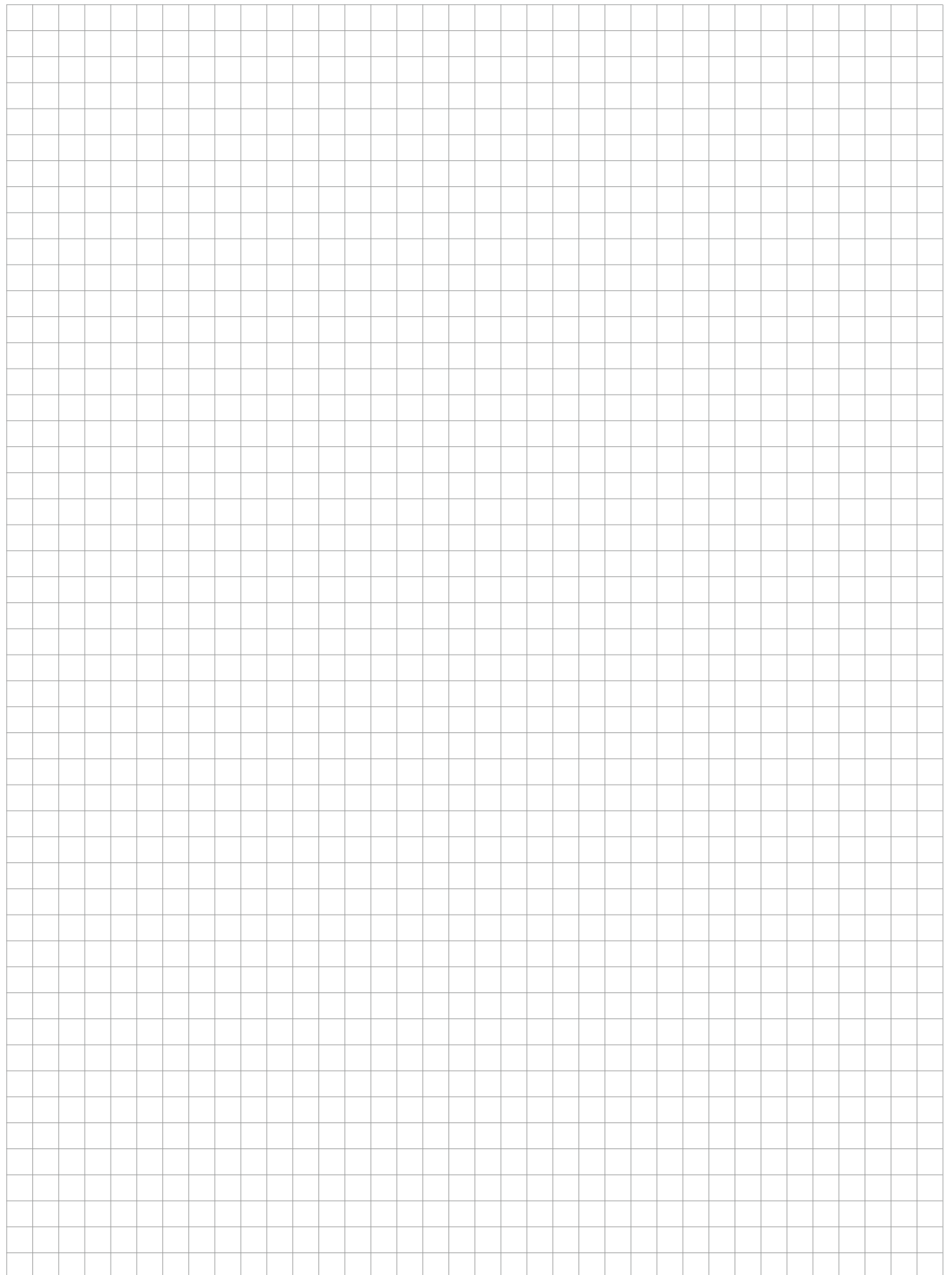
Accessories for CLSA

	Product	Ordering number	Example of use
	Comb earthing rail	B95712	
	Universal disconnection rail LSA 2/10	B95710	
	Mounting frame - 1 position	B95711	

Accessories for data line SPDs with pluggable modules

	Product	Ordering number	Example of use
	<p>Short-circuiting module DMZ-V-0</p> <p>For short-circuiting (and earthing) of all cores connected to base BDM/BDG. Suitable for unused wires or for maintenance and work on the line</p>	A05818	

Notes



Isolating Spark Gaps ISG and ISG EX



- Earth termination systems of power installations
- Earth termination systems of telecommunication systems
- Auxiliary earth electrodes of voltage operated earth fault circuit breakers
- Rail earth electrode of AC and DC railways
- Measuring earth electrode for laboratories
- Installations with cathodic protection and stray current systems
- Service entry masts for low-voltage overhead cables
- Bypassing insulated flanges and insulated couplings of pipelines.

- Ex types for ATEX:
 - III2G Ex mb IIC T6 Gb
 - II2D Ex tb IIIC T80 °C Db
- Classes:
 - N – normal duty
 - H – heavy duty
- ISG-... EX
- ISGC-... EX
- ISGT-... EX
- ISGO-...H EX

Isolating spark gaps

A series of isolating spark gaps for usual ISG environments, extended by the **ISG-... Ex**, versions specified for safe installations in explosion hazard areas (Ex), i.e., Zone 1 (- gas) or 21 (- dust). They were certified by the EZÚ Praha and FTZÚ Radvanice electro-technical testing institutes according to the latest Czech and European standards.

The series offers a vast variety of types with a withstand voltage scope from 50 up to 500 V DC. The variability of connections via flat lead-in wires, screws, cables and their combination which come with IP67 protection, enables the installation method to be optimized and the cost of protection reduced.

ISG-... Ex are, according to individual types, capable of withstanding a load caused by a lightning strike current of 50 to 100 kA and represent classes N and H.

They are suitable particularly for solutions that need an indirect connection between the external lightning protection system and other close metal parts, where a direct connection is not allowed for operating reasons. If a different potential between these parts occurs, the isolating spark gap will temporarily provide a conductive connection which will eliminate the dangerous potential difference.

Places it can be used comprise for example bridging of isolated flanges and isolated piping connections, earthing systems of heavy-current installations and telecommunications systems, auxiliary earth electrodes of earth short-circuit disconnect switches triggered by voltage, measuring earth electrodes for laboratories, rail AC and DC earth electrodes of railroad lines, cathodic protection and stray current elimination systems, etc.

The unique design of SALTEK® isolating spark gaps and a withstand voltage of 50 V DC enables even the most challenging requirements for protection and safety to be met.

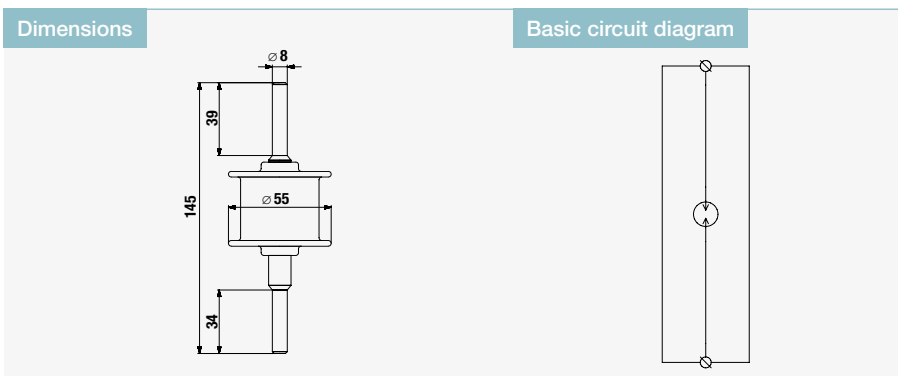


Isolating Spark Gaps
ISG and ISG EX

ISG-A100

Isolating Spark Gap connecting pins

- encapsulated high-performance isolating spark gap
- for indirect connection (earthing) of isolated conductive parts under lightning conditions, where direct connection is not allowed



Parameter / Type	ISG-A100	
Lightning impulse current	I_{imp}	100 kA
Rated impulse sparkover voltage	U_{rmp}	5 kV
Rated power frequency withstand voltage	U_{WAC}	2,5 kV
Isolation resistance		100 MΩ
Classification		class H - heavy duty
Degree of protection		IP 67
Range of operating temperatures (min/max)		-40 °C / 80 °C
According to standard		EN 62561-3:2012, IEC 62561-3:2012
Ordering number		A03590

ISG-...

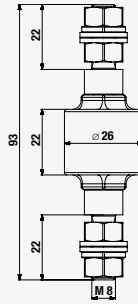
Isolating Spark Gap

two M8 bolts with nuts

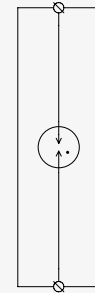
- encapsulated high-performance isolating spark gap
- for indirect connection (earthing) of isolated conductive parts under lightning conditions, where direct connection is not allowed



Dimensions



Basic circuit diagram

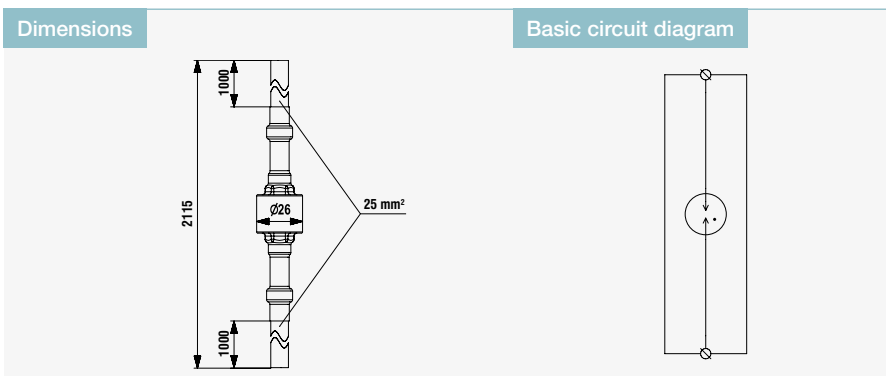


Parameter / Type		ISG-50	ISG-100	ISG-500
Lightning impulse current	I_{imp}	50 kA	50 kA	100 kA
Rated impulse sparkover voltage	U_{rmp}	0,9 kV	0,95 kV	1,5 kV
Rated power frequency withstand voltage	U_{WAC}	0,035 kV	0,07 kV	0,35 kV
Rated DC withstand voltage	U_{WDC}	0,05 kV	0,1 kV	0,5 kV
Isolation resistance		100 M Ω	100 M Ω	100 M Ω
Classification		class N - normal duty	class N - normal duty	class H - heavy duty
Degree of protection		IP 67	IP 67	IP 67
Range of operating temperatures (min/max)		-40 °C / 80 °C	-40 °C / 80 °C	-40 °C / 80 °C
According to standard		EN 62561-3:2012, IEC 62561-3:2012	EN 62561-3:2012, IEC 62561-3:2012	EN 62561-3:2012, IEC 62561-3:2012
Ordering number		A04086	A04078	A04127

ISGC-...

Isolating Spark Gap connecting cables

- encapsulated high-performance isolating spark gap
- for indirect connection (earthing) of isolated conductive parts under lightning conditions, where direct connection is not allowed



Parameter / Type		ISGC-50	ISGC-100	ISGC-500
Lightning impulse current	I_{imp}	50 kA	50 kA	100 kA
Rated impulse sparkover voltage	U_{rimp}	0,9 kV	0,95 kV	1,5 kV
Rated power frequency withstand voltage	U_{WAC}	0,035 kV	0,07 kV	0,35 kV
Rated DC withstand voltage	U_{WDC}	0,05 kV	0,1 kV	0,5 kV
Isolation resistance		100 MΩ	100 MΩ	100 MΩ
Classification		class N - normal duty	class N - normal duty	class H - heavy duty
Degree of protection		IP 67	IP 67	IP 67
Range of operating temperatures (min/max)		-40 °C / 80 °C	-40 °C / 80 °C	-40 °C / 80 °C
According to standard		EN 62561-3:2012, IEC 62561-3:2012	EN 62561-3:2012, IEC 62561-3:2012	EN 62561-3:2012, IEC 62561-3:2012
Ordering number		A05365	A05366	A05368

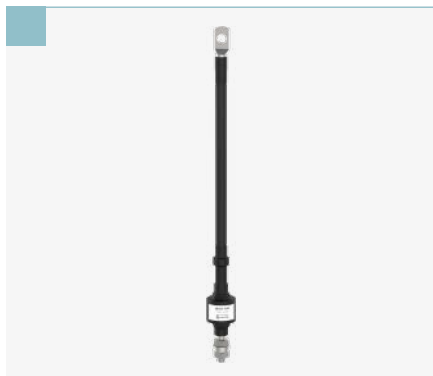
Isolating Spark Gaps
ISG and ISG EX

ISGO-500

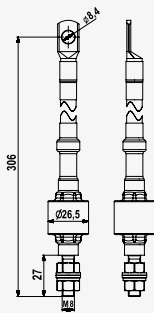
Isolating Spark Gap

connecting cable and M8 bolt with nut

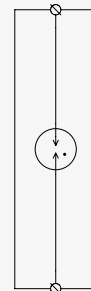
- encapsulated high-performance isolating spark gap
- for indirect connection (earthing) of isolated conductive parts under lightning conditions, where direct connection is not allowed



Dimensions



Basic circuit diagram



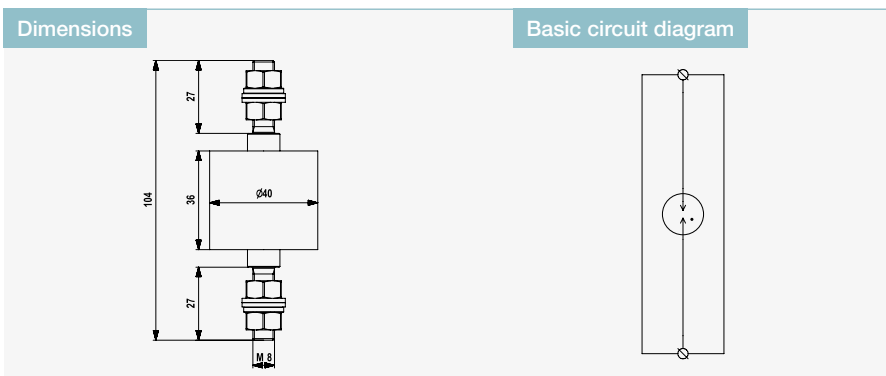
Parameter / Type	ISGO-500	
Lightning impulse current	I_{imp}	100 kA
Rated impulse sparkover voltage	U_{rimp}	1,5 kV
Rated power frequency withstand voltage	U_{WAC}	0,35 kV
Rated DC withstand voltage	U_{WDC}	0,5 kV
Isolation resistance		100 M Ω
Classification		class H - heavy duty
Degree of protection		IP 67
Range of operating temperatures (min/max)		-40 °C / 80 °C
According to standard		EN 62561-3:2012, IEC 62561-3:2012
Ordering number		A05518

ISG-...H Ex

Isolating Spark Gap

two M8 bolts with nuts, stainless steel enclosure

- heavy duty encapsulated isolating spark gap for use in Hazardous (Ex) Areas
- for indirect connection (earthing) of isolated conductive parts under lightning conditions
- for safe installation in Ex zone



Parameter / Type	ISG-50H Ex	ISG-100H Ex	ISG-500H Ex
Lightning impulse current	I_{imp} 100 kA	100 kA	100 kA
Rated impulse sparkover voltage	U_{rmp} 0,9 kV	0,95 kV	1,5 kV
Rated power frequency withstand voltage	U_{WAC} 0,035 kV	0,07 kV	0,35 kV
Rated DC withstand voltage	U_{WDC} 0,05 kV	0,1 kV	0,5 kV
Isolation resistance	100 MΩ	100 MΩ	100 MΩ
Classification	class H - heavy duty	class H - heavy duty	class H - heavy duty
Degree of protection	IP 67	IP 67	IP 67
Range of operating temperatures (min/max)	-40 °C / 50 °C	-40 °C / 50 °C	-40 °C / 50 °C
According to standard	EN 62561-3, EN 60079-0, EN 60079-18, EN 60079-31	EN 62561-3, EN 60079-0, EN 60079-18, EN 60079-31	EN 62561-3, EN 60079-0, EN 60079-18, EN 60079-31
Explosion-tested version	II 2G Ex mb IIC T6 Gb, II 2D Ex tb IIIC T80°C Db		
Ordering number	A04131	A04132	A04109

Isolating Spark Gaps
ISG and ISG EX

ISGC-...H Ex

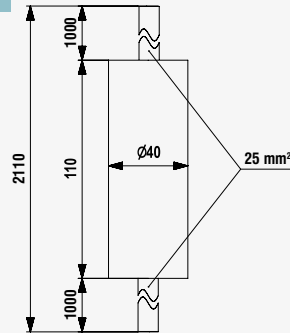
Isolating Spark Gap

connecting cables, stainless steel enclosure

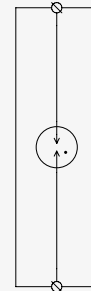
- heavy duty encapsulated isolating spark gap for use in Hazardous (Ex) Areas
- for indirect connection (earthing) of isolated conductive parts under lightning conditions
- for safe installation in Ex zone



Dimensions



Basic circuit diagram



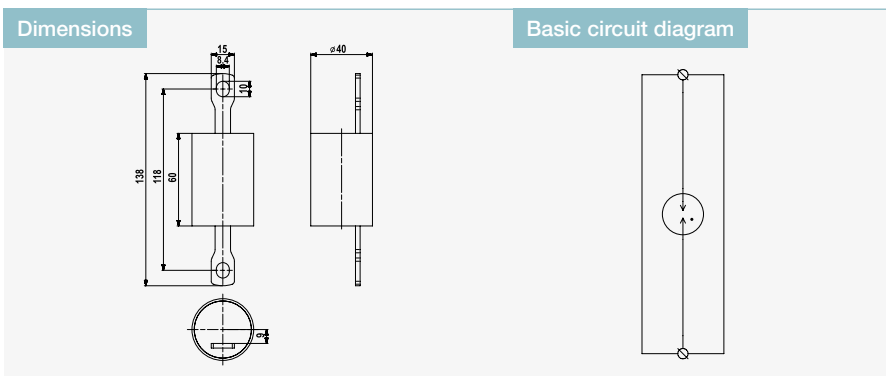
Parameter / Type	ISGC-50H Ex	ISGC-100H Ex	ISGC-500H Ex
Lightning impulse current	I_{imp} 100 kA	100 kA	100 kA
Rated impulse sparkover voltage	U_{rmp} 0,9 kV	0,95 kV	1,5 kV
Rated power frequency withstand voltage	U_{WAC} 0,035 kV	0,07 kV	0,35 kV
Rated DC withstand voltage	U_{WDC} 0,05 kV	0,1 kV	0,5 kV
Isolation resistance	100 MΩ	100 MΩ	100 MΩ
Classification	class H - heavy duty	class H - heavy duty	class H - heavy duty
Degree of protection	IP 67	IP 67	IP 67
Range of operating temperatures (min/max)	-40 °C / 50 °C	-40 °C / 50 °C	-40 °C / 50 °C
According to standard	EN 62561-3, EN 60079-0, EN 60079-18, EN 60079-31	EN 62561-3, EN 60079-0, EN 60079-18, EN 60079-31	EN 62561-3, EN 60079-0, EN 60079-18, EN 60079-31
Explosion-tested version	II 2G Ex mb IIC T6 Gb, II 2D Ex tb IIIC T80°C Db		
Ordering number	A04128	A04129	A04120

ISGT-...H Ex

Isolating Spark Gap

flat connecting brackets, stainless steel enclosure

- heavy duty encapsulated isolating spark gap for use in Hazardous (Ex) Areas
- for indirect connection (earthing) of isolated conductive parts under lightning conditions
- for safe installation in Ex zone



Parameter / Type		ISGT-50H Ex	ISGT-100H Ex
Lightning impulse current	I_{imp}	100 kA	100 kA
Rated impulse sparkover voltage	U_{rmp}	0,9 kV	0,95 kV
Rated power frequency withstand voltage	U_{WAC}	0,035 kV	0,07 kV
Rated DC withstand voltage	U_{WDC}	0,05 kV	0,1 kV
Isolation resistance		100 MΩ	100 MΩ
Classification		class H - heavy duty	class H - heavy duty
Degree of protection		IP 67	IP 67
Range of operating temperatures (min/max)		-40 °C / 50 °C	-40 °C / 50 °C
According to standard		EN 62561-3, EN 60079-0, EN 60079-18, EN 60079-31	EN 62561-3, EN 60079-0, EN 60079-18, EN 60079-31
Explosion-tested version		II 2G Ex mb IIC T6 Gb, II 2D Ex tb IIIC T80°C Db	II 2G Ex mb IIC T6 Gb, II 2D Ex tb IIIC T80°C Db
Ordering number		A05515	A05517

Isolating Spark Gaps
ISG and ISG EX

ISGO-...H Ex

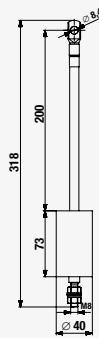
Isolating Spark Gap

connecting cable and M8 bolt with nut, stainless steel enclosure

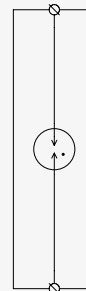
- heavy duty encapsulated isolating spark gap for use in Hazardous (Ex) Areas
- for indirect connection (earthing) of isolated conductive parts under lightning conditions
- for safe installation in Ex zone



Dimensions

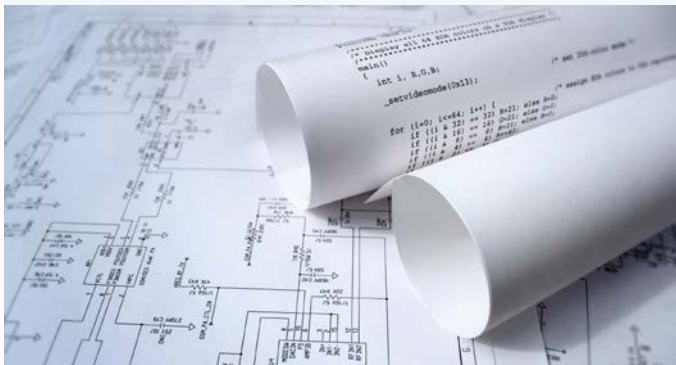


Basic circuit diagram



Parameter / Type	ISGO-50H Ex	ISGO-100H Ex	ISGO-500H Ex
Lightning impulse current	I_{imp} 100 kA	100 kA	100 kA
Rated impulse sparkover voltage	U_{rmp} 0,9 kV	0,95 kV	1,5 kV
Rated power frequency withstand voltage	U_{WAC} 0,035 kV	0,07 kV	0,35 kV
Rated DC withstand voltage	U_{WDC} 0,05 kV	0,1 kV	0,5 kV
Isolation resistance	100 M Ω	100 M Ω	100 M Ω
Classification	class H - heavy duty	class H - heavy duty	class H - heavy duty
Degree of protection	IP 67	IP 67	IP 67
Range of operating temperatures (min/max)	-40 °C / 50 °C	-40 °C / 50 °C	-40 °C / 50 °C
According to standard	EN 62561-3, EN 60079-0, EN 60079-18, EN 60079-31		
Explosion-tested version	II 2G Ex mb IIC T6 Gb, II 2D Ex tb IIIC T80°C Db		
Ordering number	A06142	A06143	A05514

Digital SPD tester



Digital SPD tester

GIGATESTpro - SALTEK

Digital SPD tester

Test tips

- Tester SPDs (MOVs or GDTs)
- Measurements of insulation resistance
- Measurement of voltage
- The database of SPDs in the instrument
- Easy test result
- Measurement protection by detecting the presence of voltage



Parameter	GIGATESTpro - SALTEK
Test of SPDs	
Measuring range	40 V ÷ 1 050 V
Resolution	1 V
Reference error	± (2% R + 2 D)*
Measuring principle	Increasing DC voltage and simultaneously measures the 1 mA current through the SPD
Insulation resistance	
Measuring range	0,100 MΩ ÷ 9,999 GΩ (U = 50 V ÷ 1 000 V)
Nominal test current	≥ 1 mA
Automatic discharge of tested object	yes
DC and AC voltage (TRMS)	
Measuring range	0 V ÷ 600 V DC / AC (45 Hz ÷ 65 Hz)
Resolution	1 V
Reference error	± (2% R + 2 D)*
Power supply	4× AAA alkaline battery 1,5 V or NiMH accumulator 1,2 V
Display	High contrast bright multicolour graphic OLED
Overvoltage category	CAT III / 300 V or CAT II / 600 V
Ordering number	B00010

* R: reading, D: digit

Notes

A large grid of graph paper for taking notes, consisting of 20 columns and 30 rows of small squares.

Index of SALTEK® products – by type

Type	Ordering number	Page
BD-090-T	A05821	125
BD-090-T-V/2-16	A05550	101
BD-090-T-V/2-F16	A05554	101
BD-250-T	A05822	125
BD-250-T-V/2-16	A05551	101
BD-250-T-V/2-F16	A05555	101
BDG-006-V/1-4FR1	A06467	113
BDG-006-V/1-FR1	A05704	106
BDG-006-V/1-FR2	A06469	108
BDG-006-V/2-FR1	A06472	109
BDG-012-V/1-4FR1	A06475	113
BDG-012-V/1-FR1	A05705	106
BDG-012-V/1-FR2	A06477	108
BDG-012-V/2-FR1	A06480	109
BDG-024-V/1-4FR1	A06483	113
BDG-024-V/1-FR1	A05706	106
BDG-024-V/1-FR2	A06485	108
BDG-024-V/2-FR1	A06488	109
BDG-048-V/1-4FR1	A06491	113
BDG-048-V/1-FR1	A05707	106
BDG-048-V/1-FR2	A06493	108
BDG-048-V/2-FR1	A06496	109
BDG-060-V/1-FR1	A06499	107
BDG-060-V/1-FR2	A06500	108
BDG-060-V/2-FR1	A06504	109
BDG-230-V/1-FR	A05708	107
BDG-230-V/1-FR1	A06514	107
BDG-230-V/2-FR	A06517	109
BDGHF-006-V/1-FR1	A06520	116
BDGHF-006-V/2-FR1	A06523	117
BDGHF-012-V/1-FR1	A06526	116
BDGHF-012-V/2-FR1	A06529	117
BDGHF-024-V/1-FR1	A06532	116
BDGHF-024-V/2-FR1	A06535	117
BDGHF-230-V/1-FR	A06538	116
BDGHF-230-V/2-FR1	A06541	117
BDM-006-V/1-FR1	A05709	102
BDM-006-V/1-FR2	A06385	104
BDM-006-V/2-FR1	A06388	105
BDM-006-V/2-JFR1	A06390	110
BDM-006-V/2-JFR2	A06391	110
BDM-006-V/4-JFR1	A06396	112
BDM-012-V/1-FR1	A05710	102
BDM-012-V/1-FR2	A06398	104
BDM-012-V/2-FR1	A06401	105
BDM-012-V/2-JFR1	A06403	110
BDM-012-V/2-JFR2	A06404	110
BDM-012-V/4-JFR1	A06409	112
BDM-024-V/1-FR1	A05711	102
BDM-024-V/1-FR2	A06411	104
BDM-024-V/2-FR1	A06414	105
BDM-024-V/2-JFR1	A06416	110
BDM-024-V/2-JFR2	A06417	110
BDM-024-V/4-JFR1	A06422	112
BDM-048-V/1-FR1	A05712	102
BDM-048-V/1-FR2	A06424	104
BDM-048-V/2-FR1	A06427	105
BDM-048-V/2-JFR1	A06429	111

Type	Ordering number	Page
BDM-048-V/2-JFR2	A06430	111
BDM-048-V/4-JFR1	A06435	112
BDM-060-V/1-FR1	A06438	103
BDM-060-V/1-FR2	A06439	104
BDM-060-V/2-FR1	A06443	105
BDM-230-V/1-FR	A05713	103
BDM-230-V/1-FR1	A06461	103
BDM-230-V/2-FR	A06464	105
BDMHF-006-V/1-4FR1	A06545	115
BDMHF-006-V/1-FR1	A06547	114
BDMHF-024-V/1-4FR1	A06551	115
BDMHF-024-V/1-FR1	A06553	114
CLSA-12	A05170	153
CLSA-24	A05171	153
CLSA-48	A05172	153
CLSA-6	A05169	153
CLSA-DSL	A05176	155
CLSA-HF6	A05175	155
CLSA-ISDN	A05174	154
CLSA-TLF	A05173	154
CZ-275-A	A05957	72
DA-075-DJ25	A06094	63
DA-150-DJ25	A06095	63
DA-275 BFG	A00629	71
DA-275 CZS	A01916	73
DA-275 DF 25	A03732	67
DA-275 DFI 1	A01205	68
DA-275 V/1+1	A01872	60
DA-275 V/1S+1	A01975	60
DA-275 V/3+1	A01848	61
DA-275 V/3S+1	A01849	61
DA-275-A	A05958	74
DA-275-BFI2	A06262	70
DA-275-DF10	A05719	65
DA-275-DF10-S	A05720	66
DA-275-DF16	A05721	65
DA-275-DF16-S	A05722	66
DA-275-DF2	A05715	65
DA-275-DF6	A05717	65
DA-275-DF6-S	A05718	66
DA-275-DFI10	A05724	69
DA-275-DFI16	A05725	69
DA-275-DFI6	A05723	69
DA-275-DJ25	A05770	64
DA-275-DJ25-S	A05771	64
DA-275-S	A05959	75
DA-320-LED	A05876	81
DL-100 POE-048	A03135	164
DL-10G-RJ45-60V	A06221	168
DL-10G-RJ45-PCB-60V	A06580	176
DL-10G-RJ45-PCB-PoE-AB	A06578	175
DL-10G-RJ45-PoE-AB	A06149	167
DL-1G-POE-INJECTOR	A06620	169
DL-1G-POE-PCB-INJECTOR	A06570	177
DL-1G-RJ45-60V	A06220	168
DL-1G-RJ45-PCB-60V	A06579	176
DL-1G-RJ45-PCB-PoE-AB	A06577	175
DL-1G-RJ45-PoE-AB	A06148	167

Type	Ordering number	Page
DL-Cat. 5e	A03375	163
DL-Cat. 5e POE plus	A03806	165
DL-Cat. 6	A03603	166
DL-Cat. 6A	A06574	166
DL-CS-RACK-1U	A06571	173
DL-CS-RACK-1U-INJECTOR	A06569	173
DL-ISDN RJ45	A03382	160
DL-ISDN SV	A03381	159
DL-PCB-Cat.5e	A06581	174
DL-PCB-Cat.6	A06582	174
DL-PCB-Cat.6A	A06583	174
DL-RS DD9	A00968	162
DL-TLF-HF	A06150	158
DM-006/1 3L DJ	A01402	130
DM-006/1 3R DJ	A01350	129
DM-006/1 4R DJ	A01675	131
DM-006/1 L2 DJ	A01332	128
DM-006/1 R DJ	A00930	126
DM-006/1 L DJ	A01557	127
DM-006/1-RB	A06057	145
DM-006/1-RS	A05140	137
DM-012/1 3L DJ	A02094	130
DM-012/1 3R DJ	A01349	129
DM-012/1 4R DJ	A01689	131
DM-012/1 L2 DJ	A01331	128
DM-012/1 R DJ	A00931	126
DM-012/1 L DJ	A01352	127
DM-012/1-RB	A06058	145
DM-012/1-RS	A05141	137
DM-024/1 3L DJ	A01519	130
DM-024/1 3R DJ	A01234	129
DM-024/1 4R DJ	A01357	131
DM-024/1 L2 DJ	A01333	128
DM-024/1 R DJ	A00932	126
DM-024/1 L DJ	A01237	127
DM-024/1-RB	A06059	145
DM-024/1-RS	A05142	137
DM-048/1 L2 DJ	A01334	128
DM-048/1 R DJ	A00933	126
DM-048/1 L DJ	A01353	127
DM-048/1-RB	A06060	145
DM-048/1-RS	A05143	137
DM-060/1-RS	A05129	137
DM-110/1-RS	A05130	137
DMG-006/1-RB	A06061	146
DMG-006/1-RS	A05132	138
DMG-012/1-RS	A05133	138
DMG-024/1-RB	A06062	146
DMG-024/1-RS	A05134	138
DMG-048/1-RB	A06063	146
DMG-048/1-RS	A05135	138
DMG-060/1-RS	A05136	138
DMG-110/1-RS	A05137	138
DMHF-006/1-RB	A06064	148
DMHF-006/1-RS	A05138	140
DMHF-015/1-RB	A06290	148
DMHF-015/1-RS	A05139	140
DMJ-012/2-RB	A06065	147

Index of SALTEK® products – by type

Type	Ordering number	Page	Type	Ordering number	Page	Type	Ordering number	Page
DMJ-012/2-RS	A05144	139	FLP-B+C MAXI V/4	A05094	34	SLP-130 VB/1	A02182	54
DMJ-024/2-RB	A06066	147	FLP-B+C MAXI VS/1	A03533	30	SLP-130 VB/1 S	A02996	55
DMJ-024/2-RS	A05145	139	FLP-B+C MAXI VS/1+1	A03783	31	SLP-150 V/1	A05185	46
DMJ-048/2-RB	A06067	147	FLP-B+C MAXI VS/2	A03784	32	SLP-150 V/1 S	A05186	47
DMJ-048/2-RS	A05131	139	FLP-B+C MAXI VS/3	A03570	33	SLP-275 V/1	A01617	46
DMJ-060/2-RS	A05146	139	FLP-B+C MAXI VS/3+1	A03572	35	SLP-275 V/1 S	A01618	47
DMJ-110/2-RS	A05147	139	FLP-B+C MAXI VS/4	A03571	34	SLP-275 V/1+1	A01948	48
DMLF-024/1-RB	A06069	149	FLP-B+C MAXI150 V/1	A05834	36	SLP-275 V/1S+1	A02491	48
DMLF-024/1-RS	A05333	141	FLP-B+C MAXI150 VS/1	A05835	36	SLP-275 V/2	A01619	49
DMP-012-V/1-FR1	A05798	118	FLP-PV1000 V/Y	A04059	86	SLP-275 V/2 S	A05183	49
DMP-012-V/1-JFR1	A05802	119	FLP-PV1000 VS/Y	A04058	86	SLP-275 V/3	A01760	50
DMP-024-V/1-FR1	A05799	118	FLP-PV550 V/U	A06145	85	SLP-275 V/3 S	A01761	50
DMP-024-V/1-JFR1	A05803	119	FLP-PV550 V/U S	A06146	85	SLP-275 V/3+1	A01946	52
DMS-024-T	A06596	132	FLP-SG50 V/1	A04054	22	SLP-275 V/3S+1	A02002	52
DMS-048-T	A06597	132	FLP-SG50 VS/1	A04053	22	SLP-275 V/4	A01722	51
DP-012	A02187	133	FX-090 B75 T F/F	A03385	184	SLP-275 V/4 S	A01763	51
DP-012-V/1-F16	A05664	120	FX-090 F75 T F/F	A03387	185	SLP-275 VB/1	A01944	54
DP-024	A01604	133	FX-230 B75 T F/F	A03390	184	SLP-275 VB/1 S	A01945	55
DP-024-V/1-F16	A05665	120	FX-230 F75 T F/F	A03392	185	SLP-275 VB/3+1	A03310	56
DP-048	A02188	133	GIGATESTpro - SALTEK	B00010	202	SLP-275 VB/3S+1	A03311	56
DP-048-V/1-F16	A05666	120	HX-090 N50 F/F	A03405	181	SLP-385 V/1	A01955	46
DPF-024	A03050	134	HX-090 N50 F/M	A03346	181	SLP-385 V/1 S	A02771	47
DS-B090-RB	A06070	150	HX-230 N50 F/F	A03511	181	SLP-440 V/1	A01817	46
DS-B090-RS	A05148	142	HX-230 N50 F/M	A03510	181	SLP-440 V/1 S	A01825	47
DS-B240-RS	A05149	142	HX-470-N50-F/F	A06556	182	SLP-600 V/1	A03301	46
DS-D024-RS	A05153	142	HX-470-N50-F/M	A06555	182	SLP-600 V/1 S	A03302	47
DS-V130-RS	A05151	142	ISG-100	A04078	194	SLP-600 V/3	A06076	53
FLP-12,5 V/1	A03421	37	ISG-100H Ex	A04132	197	SLP-600 V/3 S	A06305	53
FLP-12,5 V/1 S	A03422	37	ISG-50	A04086	194	SLP-PV1000 V/Y	A03670	88
FLP-12,5 V/1+1	A03423	38	ISG-500	A04127	194	SLP-PV1000 V/Y S	A03671	88
FLP-12,5 V/1S+1	A03424	38	ISG-500H Ex	A04109	197	SLP-PV1500 V/Y	A06036	88
FLP-12,5 V/2	A03809	39	ISG-50H Ex	A04131	197	SLP-PV1500 V/Y S	A06037	88
FLP-12,5 V/2 S	A05182	39	ISG-A100	A03590	193	SLP-PV170 V/U	A03662	87
FLP-12,5 V/3	A03425	40	ISGC-100	A05366	195	SLP-PV170 V/U S	A03663	87
FLP-12,5 V/3 S	A03426	40	ISGC-100H Ex	A04129	198	SLP-PV500 V/U	A03664	87
FLP-12,5 V/3+1	A03427	42	ISGC-50	A05365	195	SLP-PV500 V/U S	A03665	87
FLP-12,5 V/3S+1	A03428	42	ISGC-500	A05368	195	SLP-PV700 V/Y	A03668	88
FLP-12,5 V/4	A03429	41	ISGC-500H Ex	A04120	198	SLP-PV700 V/Y S	A03669	88
FLP-12,5 V/4 S	A03430	41	ISGC-50H Ex	A04128	198	SP-T2+T3-320-Y-CLT-LED	A06044	82
FLP-25-T1-V/1	A06263	23	ISGO-100H Ex	A06143	200	SX-090 B75 F/F	A03395	186
FLP-25-T1-V/1+1	A06257	25	ISGO-500	A05518	196	SX-090 F75 F/F	A03397	187
FLP-25-T1-V/2	A06259	24	ISGO-500H Ex	A05514	200	VL-B75 F/F	A03376	180
FLP-25-T1-V/3	A05300	26	ISGO-50H Ex	A06142	200	VL-SV	A03379	180
FLP-25-T1-V/3+1	A05304	28	ISGT-100H Ex	A05517	199	ZX-0,44-N50-F/F	A06207	183
FLP-25-T1-V/4	A05302	27	ISGT-50H Ex	A05515	199	ZX-0,44-N50-F/M	A06288	183
FLP-25-T1-VS/1	A06264	23	RACK-PROTECTOR-EU-RO-X12-1U	A05961	76			
FLP-25-T1-VS/1+1	A06258	25	RACK-PROTECTOR-F6-1U	A05874	76			
FLP-25-T1-VS/2	A06260	24	RACK-PROTECTOR-VF5-1U	A05875	76			
FLP-25-T1-VS/3	A05301	26	RACK-PROTECTOR-VX7-1U	A05873	76			
FLP-25-T1-VS/3+1	A05305	28	RACK-PROTECTOR-X8-1U	A05872	76			
FLP-25-T1-VS/4	A05303	27	RTO-16	A01432	77			
FLP-A100N VS/NPE	A03574	29	RTO-35	A01433	77			
FLP-A50N VS/NPE	A03573	29	RTO-63	A01434	77			
FLP-B+C MAXI V/1	A05091	30	SLP-075 V/1	A01815	46			
FLP-B+C MAXI V/1+1	A05095	31	SLP-075 V/1 S	A01823	47			
FLP-B+C MAXI V/2	A05092	32	SLP-075 VB/1	A02155	54			
FLP-B+C MAXI V/3	A05093	33	SLP-075 VB/1 S	A02156	55			
FLP-B+C MAXI V/3+1	A05096	35						

Index of SALTEK® products – by order number

Ordering number	Type	Page
A00629	DA-275 BFG	71
A00930	DM-006/1 R DJ	126
A00931	DM-012/1 R DJ	126
A00932	DM-024/1 R DJ	126
A00933	DM-048/1 R DJ	126
A00968	DL-RS DD9	162
A01205	DA-275 DFI 1	68
A01234	DM-024/1 3R DJ	129
A01237	DM-024/1 L DJ	127
A01331	DM-012/1 L2 DJ	128
A01332	DM-006/1 L2 DJ	128
A01333	DM-024/1 L2 DJ	128
A01334	DM-048/1 L2 DJ	128
A01349	DM-012/1 3R DJ	129
A01350	DM-006/1 3R DJ	129
A01352	DM-012/1 L DJ	127
A01353	DM-048/1 L DJ	127
A01357	DM-024/1 4R DJ	131
A01402	DM-006/1 3L DJ	130
A01432	RTO-16	77
A01433	RTO-35	77
A01434	RTO-63	77
A01519	DM-024/1 3L DJ	130
A01557	DM-006/1 L DJ	127
A01604	DP-024	133
A01617	SLP-275 V/1	46
A01618	SLP-275 V/1 S	47
A01619	SLP-275 V/2	49
A01675	DM-006/1 4R DJ	131
A01689	DM-012/1 4R DJ	131
A01722	SLP-275 V/4	51
A01760	SLP-275 V/3	50
A01761	SLP-275 V/3 S	50
A01763	SLP-275 V/4 S	51
A01815	SLP-075 V/1	46
A01817	SLP-440 V/1	46
A01823	SLP-075 V/1 S	47
A01825	SLP-440 V/1 S	47
A01848	DA-275 V/3+1	61
A01849	DA-275 V/3S+1	61
A01872	DA-275 V/1+1	60
A01916	DA-275 CZS	73
A01944	SLP-275 VB/1	54
A01945	SLP-275 VB/1 S	55
A01946	SLP-275 V/3+1	52
A01948	SLP-275 V/1+1	48
A01955	SLP-385 V/1	46
A01975	DA-275 V/1S+1	60
A02002	SLP-275 V/3S+1	52
A02094	DM-012/1 3L DJ	130
A02155	SLP-075 VB/1	54
A02156	SLP-075 VB/1 S	55
A02182	SLP-130 VB/1	54
A02187	DP-012	133
A02188	DP-048	133
A02491	SLP-275 V/1S+1	48
A02771	SLP-385 V/1 S	47
A02996	SLP-130 VB/1 S	55

Ordering number	Type	Page
A03050	DPF-024	134
A03135	DL-100 POE-048	164
A03301	SLP-600 V/1	46
A03302	SLP-600 V/1 S	47
A03310	SLP-275 VB/3+1	56
A03311	SLP-275 VB/3S+1	56
A03346	HX-090 N50 F/M	181
A03375	DL-Cat. 5e	163
A03376	VL-B75 F/F	180
A03379	VL-SV	180
A03381	DL-ISDN SV	159
A03382	DL-ISDN RJ45	160
A03385	FX-090 B75 T F/F	184
A03387	FX-090 F75 T F/F	185
A03390	FX-230 B75 T F/F	184
A03392	FX-230 F75 T F/F	185
A03395	SX-090 B75 F/F	186
A03397	SX-090 F75 F/F	187
A03405	HX-090 N50 F/F	181
A03421	FLP-12,5 V/1	37
A03422	FLP-12,5 V/1 S	37
A03423	FLP-12,5 V/1+1	38
A03424	FLP-12,5 V/1S+1	38
A03425	FLP-12,5 V/3	40
A03426	FLP-12,5 V/3 S	40
A03427	FLP-12,5 V/3+1	42
A03428	FLP-12,5 V/3S+1	42
A03429	FLP-12,5 V/4	41
A03430	FLP-12,5 V/4 S	41
A03510	HX-230 N50 F/M	181
A03511	HX-230 N50 F/F	181
A03533	FLP-B+C MAXI VS/1	30
A03570	FLP-B+C MAXI VS/3	33
A03571	FLP-B+C MAXI VS/4	34
A03572	FLP-B+C MAXI VS/3+1	35
A03573	FLP-A50N VS/NPE	29
A03574	FLP-A100N VS/NPE	29
A03590	ISG-A100	193
A03603	DL-Cat. 6	166
A03662	SLP-PV170 V/U	87
A03663	SLP-PV170 V/U S	87
A03664	SLP-PV500 V/U	87
A03665	SLP-PV500 V/U S	87
A03668	SLP-PV700 V/Y	88
A03669	SLP-PV700 V/Y S	88
A03670	SLP-PV1000 V/Y	88
A03671	SLP-PV1000 V/Y S	88
A03732	DA-275 DF 25	67
A03783	FLP-B+C MAXI VS/1+1	31
A03784	FLP-B+C MAXI VS/2	32
A03806	DL-Cat. 5e POE plus	165
A03809	FLP-12,5 V/2	39
A04053	FLP-SG50 VS/1	22
A04054	FLP-SG50 V/1	22
A04058	FLP-PV1000 VS/Y	86
A04059	FLP-PV1000 V/Y	86
A04078	ISG-100	194
A04086	ISG-50	194

Ordering number	Type	Page
A04109	ISG-500H Ex	197
A04120	ISGC-500H Ex	198
A04127	ISG-500	194
A04128	ISGC-50H Ex	198
A04129	ISGC-100H Ex	198
A04131	ISG-50H Ex	197
A04132	ISG-100H Ex	197
A05091	FLP-B+C MAXI V/1	30
A05092	FLP-B+C MAXI V/2	32
A05093	FLP-B+C MAXI V/3	33
A05094	FLP-B+C MAXI V/4	34
A05095	FLP-B+C MAXI V/1+1	31
A05096	FLP-B+C MAXI V/3+1	35
A05129	DM-060/1-RS	137
A05130	DM-110/1-RS	137
A05131	DMJ-048/2-RS	139
A05132	DMG-006/1-RS	138
A05133	DMG-012/1-RS	138
A05134	DMG-024/1-RS	138
A05135	DMG-048/1-RS	138
A05136	DMG-060/1-RS	138
A05137	DMG-110/1-RS	138
A05138	DMHF-006/1-RS	140
A05139	DMHF-015/1-RS	140
A05140	DM-006/1-RS	137
A05141	DM-012/1-RS	137
A05142	DM-024/1-RS	137
A05143	DM-048/1-RS	137
A05144	DMJ-012/2-RS	139
A05145	DMJ-024/2-RS	139
A05146	DMJ-060/2-RS	139
A05147	DMJ-110/2-RS	139
A05148	DS-B090-RS	142
A05149	DS-B240-RS	142
A05151	DS-V130-RS	142
A05153	DS-D024-RS	142
A05169	CLSA-6	153
A05170	CLSA-12	153
A05171	CLSA-24	153
A05172	CLSA-48	153
A05173	CLSA-TLF	154
A05174	CLSA-ISDN	154
A05175	CLSA-HF6	155
A05176	CLSA-DSL	155
A05182	FLP-12,5 V/2 S	39
A05183	SLP-275 V/2 S	49
A05185	SLP-150 V/1	46
A05186	SLP-150 V/1 S	47
A05300	FLP-25-T1-V/3	26
A05301	FLP-25-T1-VS/3	26
A05302	FLP-25-T1-V/4	27
A05303	FLP-25-T1-VS/4	27
A05304	FLP-25-T1-V/3+1	28
A05305	FLP-25-T1-VS/3+1	28
A05333	DMLF-024/1-RS	141
A05365	ISGC-50	195
A05366	ISGC-100	195
A05368	ISGC-500	195

Index of SALTEK® products – by order number

Ordering number	Type	Page
A05514	ISGO-500H Ex	200
A05515	ISGT-50H Ex	199
A05517	ISGT-100H Ex	199
A05518	ISGO-500	196
A05550	BD-090-T-V/2-16	101
A05551	BD-250-T-V/2-16	101
A05554	BD-090-T-V/2-F16	101
A05555	BD-250-T-V/2-F16	101
A05664	DP-012-V/1-F16	120
A05665	DP-024-V/1-F16	120
A05666	DP-048-V/1-F16	120
A05704	BDG-006-V/1-FR1	106
A05705	BDG-012-V/1-FR1	106
A05706	BDG-024-V/1-FR1	106
A05707	BDG-048-V/1-FR1	106
A05708	BDG-230-V/1-FR	107
A05709	BDM-006-V/1-FR1	102
A05710	BDM-012-V/1-FR1	102
A05711	BDM-024-V/1-FR1	102
A05712	BDM-048-V/1-FR1	102
A05713	BDM-230-V/1-FR	103
A05715	DA-275-DF2	65
A05717	DA-275-DF6	65
A05718	DA-275-DF6-S	66
A05719	DA-275-DF10	65
A05720	DA-275-DF10-S	66
A05721	DA-275-DF16	65
A05722	DA-275-DF16-S	66
A05723	DA-275-DFI6	69
A05724	DA-275-DFI10	69
A05725	DA-275-DFI16	69
A05770	DA-275-DJ25	64
A05771	DA-275-DJ25-S	64
A05798	DMP-012-V/1-FR1	118
A05799	DMP-024-V/1-FR1	118
A05802	DMP-012-V/1-JFR1	119
A05803	DMP-024-V/1-JFR1	119
A05821	BD-090-T	125
A05822	BD-250-T	125
A05834	FLP-B+C MAXI150 V/1	36
A05835	FLP-B+C MAXI150 VS/1	36
A05872	RACK-PROTECTOR-X8-1U	76
A05873	RACK-PROTECTOR-VX7-1U	76
A05874	RACK-PROTECTOR-F6-1U	76
A05875	RACK-PROTECTOR-VF5-1U	76
A05876	DA-320-LED	81
A05957	CZ-275-A	72
A05958	DA-275-A	74
A05959	DA-275-S	75
A05961	RACK-PROTECTOR-EU-RO-X12-1U	76
A06036	SLP-PV1500 V/Y	88
A06037	SLP-PV1500 V/Y S	88
A06044	SP-T2+T3-320-Y-CLT-LED	82
A06057	DM-006/1-RB	145
A06058	DM-012/1-RB	145
A06059	DM-024/1-RB	145
A06060	DM-048/1-RB	145

Ordering number	Type	Page
A06061	DMG-006/1-RB	146
A06062	DMG-024/1-RB	146
A06063	DMG-048/1-RB	146
A06064	DMHF-006/1-RB	148
A06065	DMJ-012/2-RB	147
A06066	DMJ-024/2-RB	147
A06067	DMJ-048/2-RB	147
A06069	DMLF-024/1-RB	149
A06070	DS-B090-RB	150
A06076	SLP-600 V/3	53
A06094	DA-075-DJ25	63
A06095	DA-150-DJ25	63
A06142	ISGO-50H Ex	200
A06143	ISGO-100H Ex	200
A06145	FLP-PV550 V/U	85
A06146	FLP-PV550 V/U S	85
A06148	DL-1G-RJ45-PoE-AB	167
A06149	DL-10G-RJ45-PoE-AB	167
A06150	DL-TLF-HF	158
A06207	ZX-0,44-N50-F/F	183
A06220	DL-1G-RJ45-60V	168
A06221	DL-10G-RJ45-60V	168
A06257	FLP-25-T1-V/1+1	25
A06258	FLP-25-T1-VS/1+1	25
A06259	FLP-25-T1-V/2	24
A06260	FLP-25-T1-VS/2	24
A06262	DA-275-BFI2	70
A06263	FLP-25-T1-V/1	23
A06264	FLP-25-T1-VS/1	23
A06288	ZX-0,44-N50-F/M	183
A06290	DMHF-015/1-RB	148
A06305	SLP-600 V/3 S	53
A06385	BDM-006-V/1-FR2	104
A06388	BDM-006-V/2-FR1	105
A06390	BDM-006-V/2-JFR1	110
A06391	BDM-006-V/2-JFR2	110
A06396	BDM-006-V/4-JFR1	112
A06398	BDM-012-V/1-FR2	104
A06401	BDM-012-V/2-FR1	105
A06403	BDM-012-V/2-JFR1	110
A06404	BDM-012-V/2-JFR2	110
A06409	BDM-012-V/4-JFR1	112
A06411	BDM-024-V/1-FR2	104
A06414	BDM-024-V/2-FR1	105
A06416	BDM-024-V/2-JFR1	110
A06417	BDM-024-V/2-JFR2	110
A06422	BDM-024-V/4-JFR1	112
A06424	BDM-048-V/1-FR2	104
A06427	BDM-048-V/2-FR1	105
A06429	BDM-048-V/2-JFR1	111
A06430	BDM-048-V/2-JFR2	111
A06435	BDM-048-V/4-JFR1	112
A06438	BDM-060-V/1-FR1	103
A06439	BDM-060-V/1-FR2	104
A06443	BDM-060-V/2-FR1	105
A06461	BDM-230-V/1-FR1	103
A06464	BDM-230-V/2-FR	105
A06467	BDG-006-V/1-4FR1	113

Ordering number	Type	Page
A06469	BDG-006-V/1-FR2	108
A06472	BDG-006-V/2-FR1	109
A06475	BDG-012-V/1-4FR1	113
A06477	BDG-012-V/1-FR2	108
A06480	BDG-012-V/2-FR1	109
A06483	BDG-024-V/1-4FR1	113
A06485	BDG-024-V/1-FR2	108
A06488	BDG-024-V/2-FR1	109
A06491	BDG-048-V/1-4FR1	113
A06493	BDG-048-V/1-FR2	108
A06496	BDG-048-V/2-FR1	109
A06499	BDG-060-V/1-FR1	107
A06500	BDG-060-V/1-FR2	108
A06504	BDG-060-V/2-FR1	109
A06514	BDG-230-V/1-FR1	107
A06517	BDG-230-V/2-FR	109
A06520	BDGHF-006-V/1-FR1	116
A06523	BDGHF-006-V/2-FR1	117
A06526	BDGHF-012-V/1-FR1	116
A06529	BDGHF-012-V/2-FR1	117
A06532	BDGHF-024-V/1-FR1	116
A06535	BDGHF-024-V/2-FR1	117
A06538	BDGHF-230-V/1-FR	116
A06541	BDGHF-230-V/2-FR1	117
A06545	BDMHF-006-V/1-4FR1	115
A06547	BDMHF-006-V/1-FR1	114
A06551	BDMHF-024-V/1-4FR1	115
A06553	BDMHF-024-V/1-FR1	114
A06555	HX-470-N50-F/M	182
A06556	HX-470-N50-F/F	182
A06569	DL-CS-RACK-1U-INJECTOR	173
A06570	DL-1G-POE-PCB-INJECTOR	177
A06571	DL-CS-RACK-1U	173
A06574	DL-Cat. 6A	166
A06577	DL-1G-RJ45-PCB-PoE-AB	175
A06578	DL-10G-RJ45-PCB-PoE-AB	175
A06579	DL-1G-RJ45-PCB-60V	176
A06580	DL-10G-RJ45-PCB-60V	176
A06581	DL-PCB-Cat.5e	174
A06582	DL-PCB-Cat.6	174
A06583	DL-PCB-Cat.6A	174
A06596	DMS-024-T	132
A06597	DMS-048-T	132
A06620	DL-1G-POE-INJECTOR	169
B00010	GIGATESTpro - SALTEK	202

Sales and technical support:

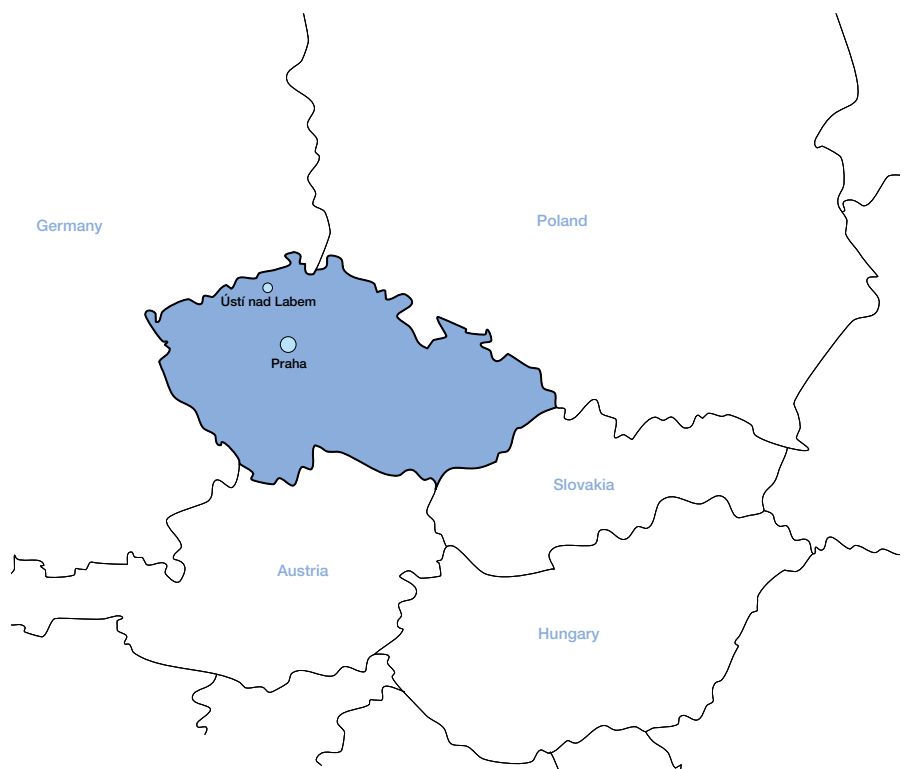
SALTEK TRADE s.r.o.

Vodňanská 1419/226
198 00 Praha 9 - Kyje
Czech Republic
Phone: +420 272 942 470
E-mail: trade@saltek.cz
www.saltek.eu/en

Manufacture and headquarter:

SALTEK s.r.o.

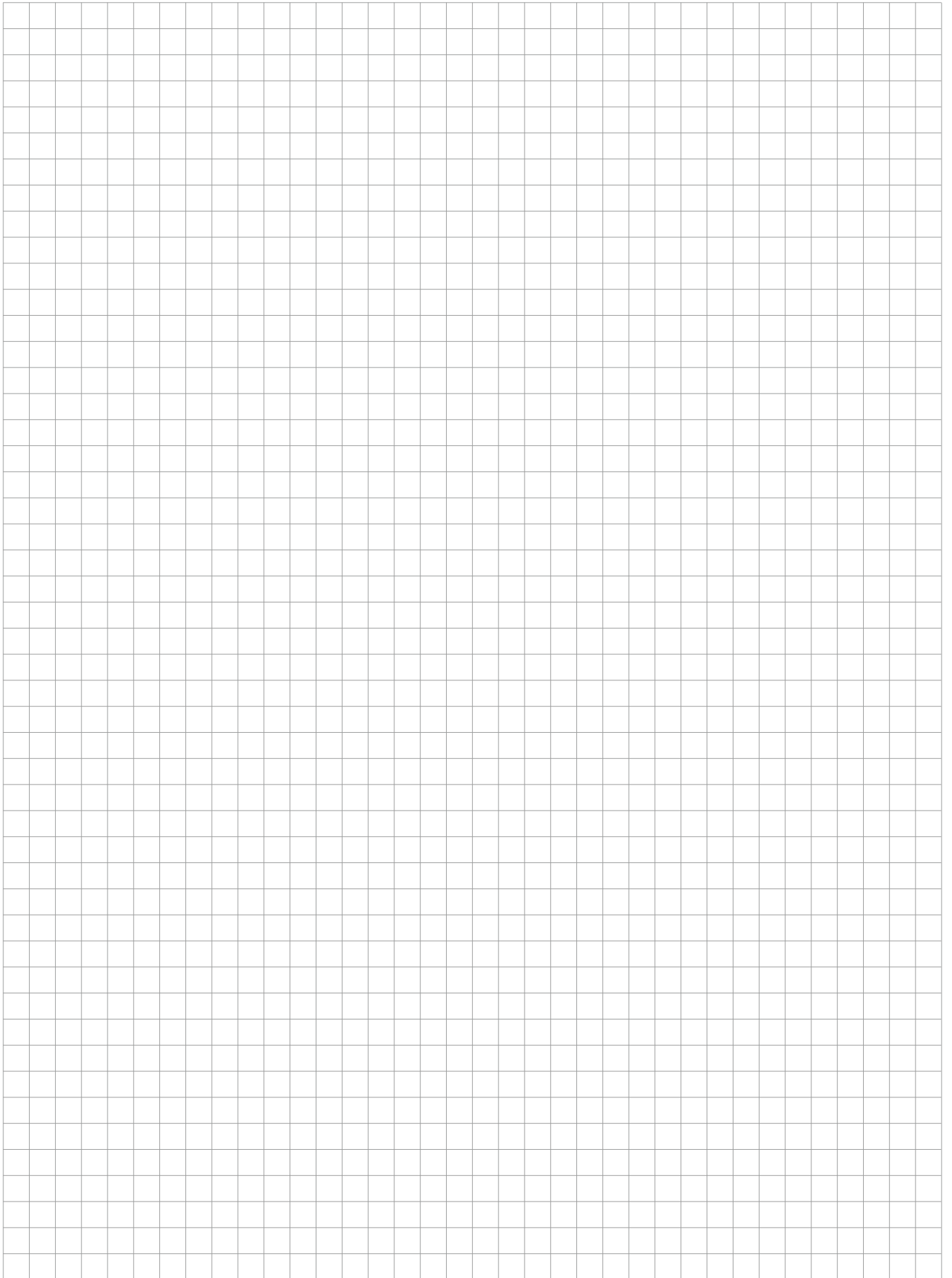
Drážďanská 85
400 07 Ústí nad Labem
Czech Republic
Phone: +420 475 655 511
Fax: +420 475 622 213
E-mail: info@saltek.cz
www.saltek.eu



Notes

A large grid of graph paper for taking notes, consisting of 20 columns and 30 rows of small squares.

Notes



Sales and technical support:

SALTEK TRADE s.r.o.

Vodňanská 1419/226

198 00 Praha 9 - Kyje

Czech Republic

Phone: +420 272 942 470

E-mail: trade@saltek.cz

www.saltek.eu/en

Manufacture and headquarter:

SALTEK s.r.o.

Drážďanská 85

400 07 Ústí nad Labem

Czech Republic

Phone: +420 475 655 511

Fax: +420 475 622 213

E-mail: info@saltek.cz

www.saltek.eu

Distributor:

--